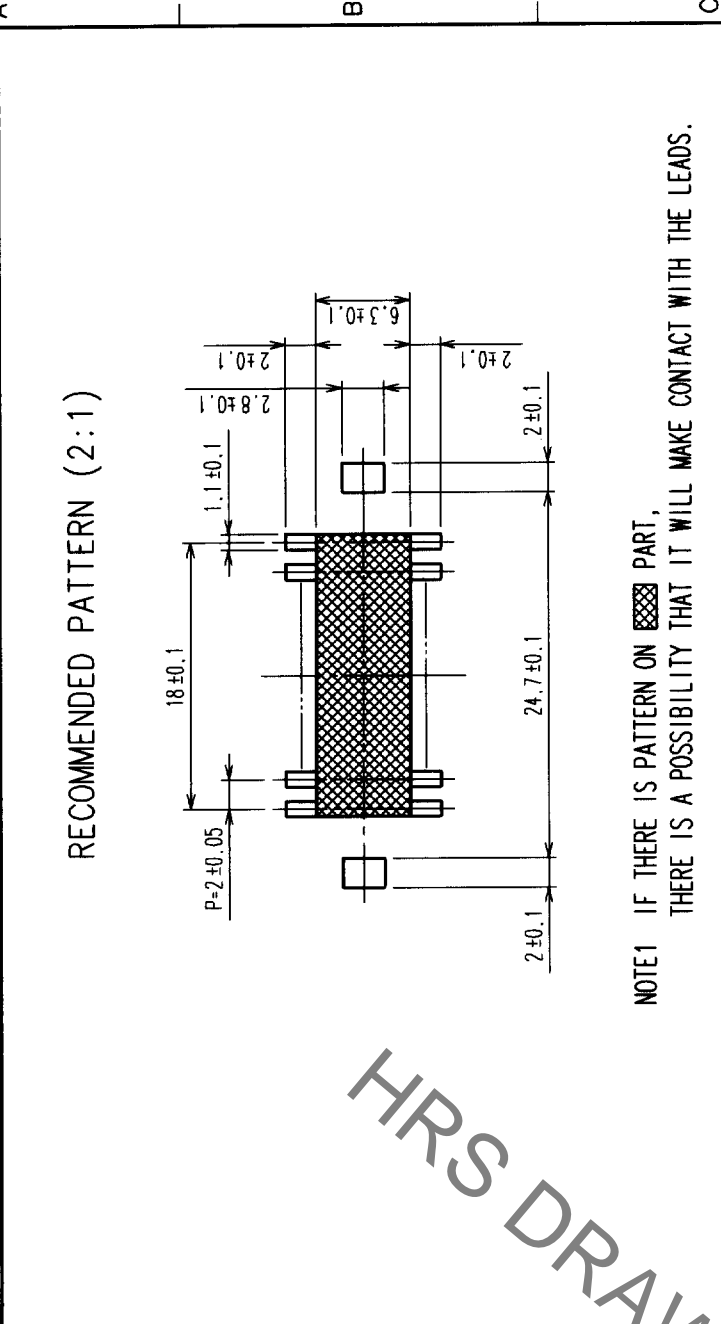


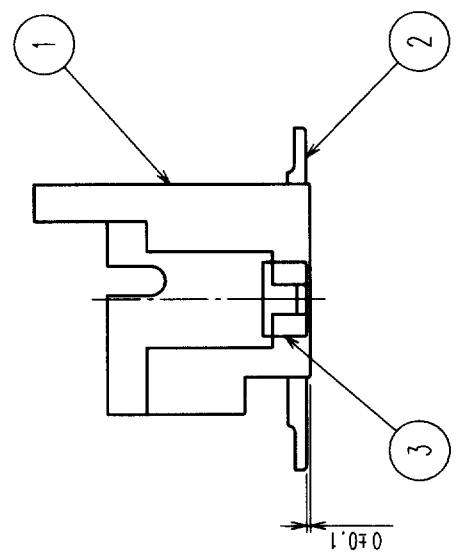
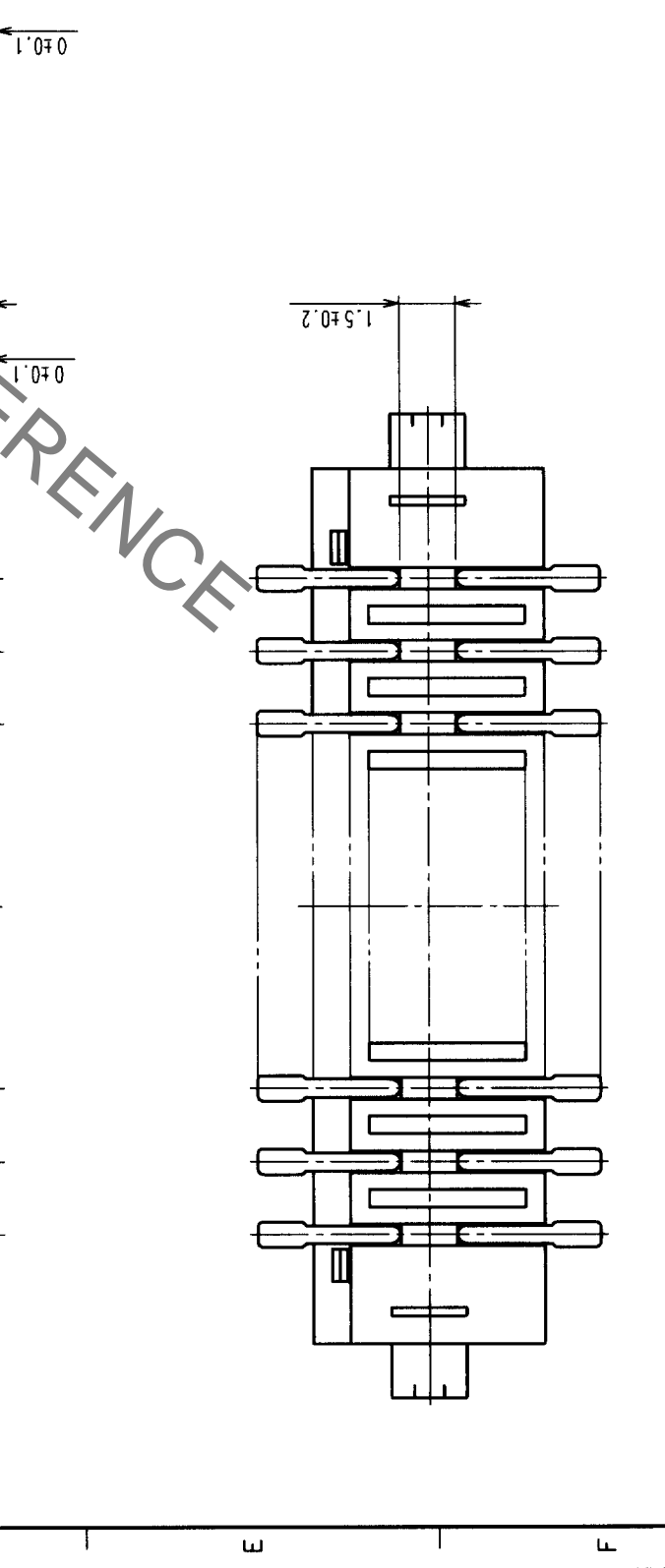
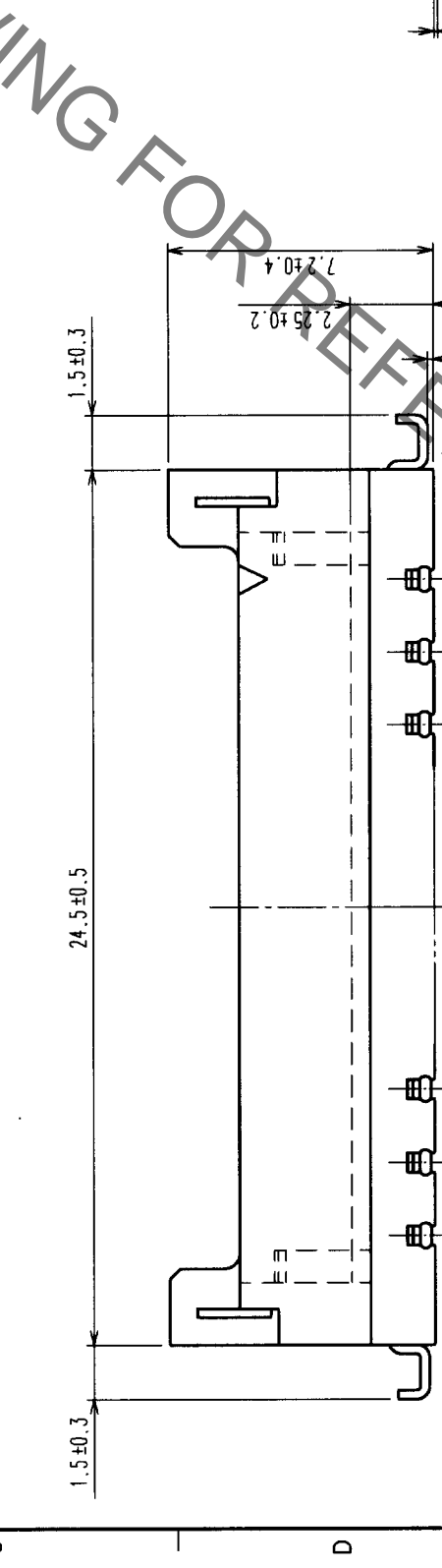
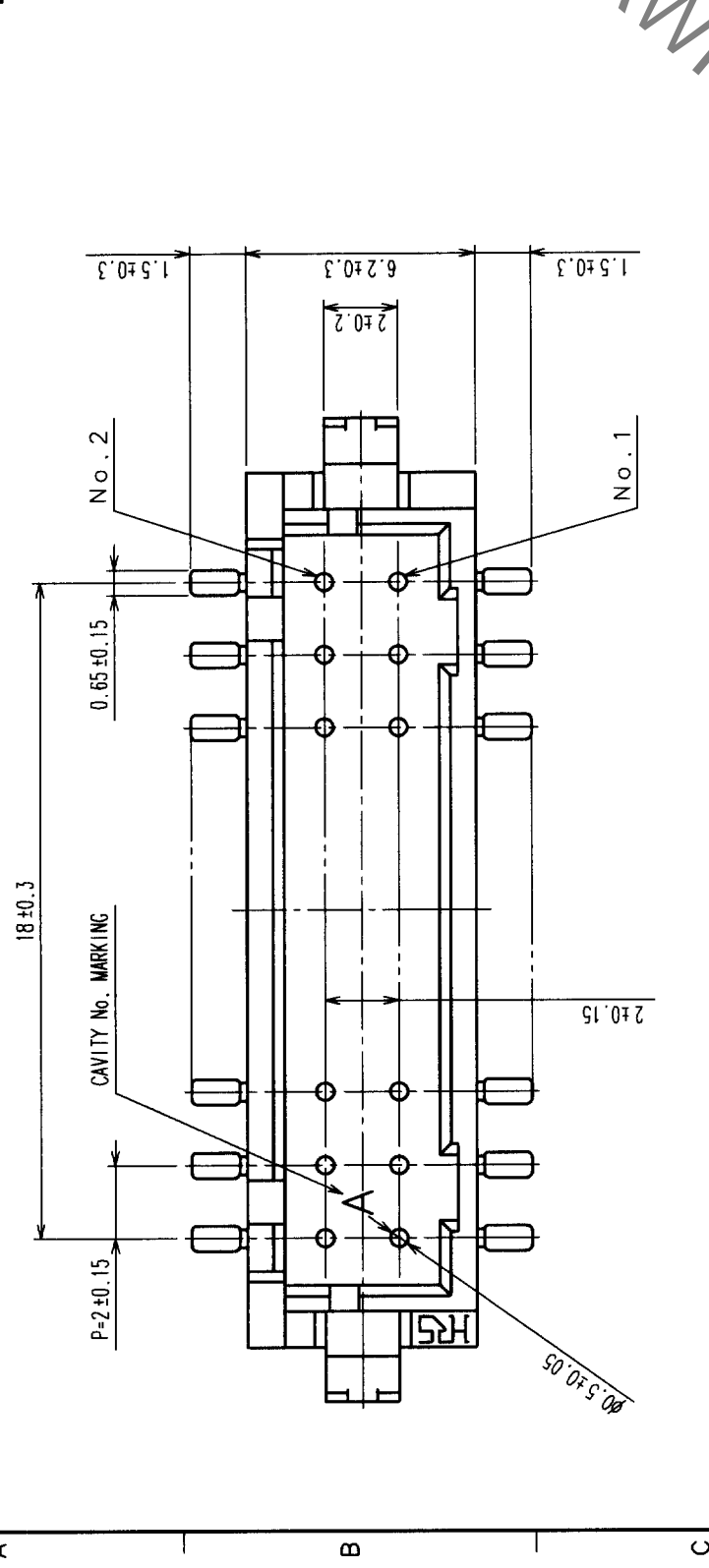
Nov.1.2020 Copyright 2020 HIROSE ELECTRIC CO., LTD. All Rights Reserved.  
 In case of consideration for using Automotive equipment / device which demand high reliability, kindly contact our sales window correspondents.

COUNT	DESCRIPTION OF REVISIONS	BY	CHKD	DATE	COUNT	DESCRIPTION OF REVISIONS	BY	CHKD	DATE



NOTE1 IF THERE IS PATTERN ON PART,  
 THERE IS A POSSIBILITY THAT IT WILL MAKE CONTACT WITH THE LEADS.

HRS DRAWING FOR REFERENCE



NO.	MATERIAL	FINISH, REMARKS	NO.	MATERIAL	FINISH, REMARKS
3	BRASS	TIN PLATED	6	POLYESTER	COVER TAPE, CLEAR
2	BRASS	GOLD PLATED	5	PS	EMBOSSED CARRIER TAPE, CLEAR
1	POLYAMIDE	NATURAL (BEIGE), UL94V-0	4	POLYAMIDE	CAP, BLACK

CODE NO. (OLD)	DRAWN	DESIGNED	CHECKED	APPROVED	RELEASED
	T. YAMAMOTO	T. Yamamoto	T. Miyagaki	K. Katayose	
	'01. 8. 30	'01. 9. 3	'01. 9. 3	'01. 9. 3	

DRAWING NO.	PART NO.
EDC3-071162-01	DF11C-20DP-2V(57)

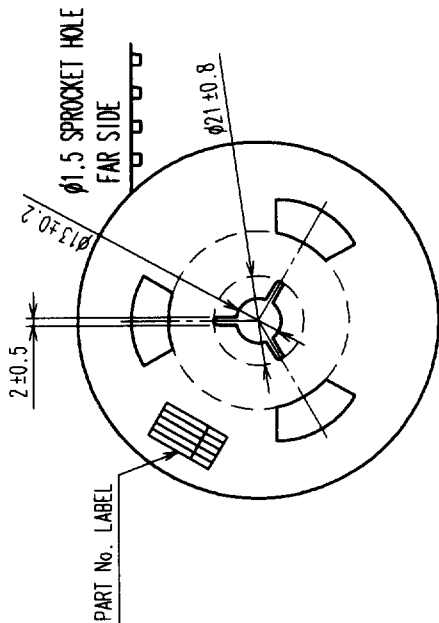
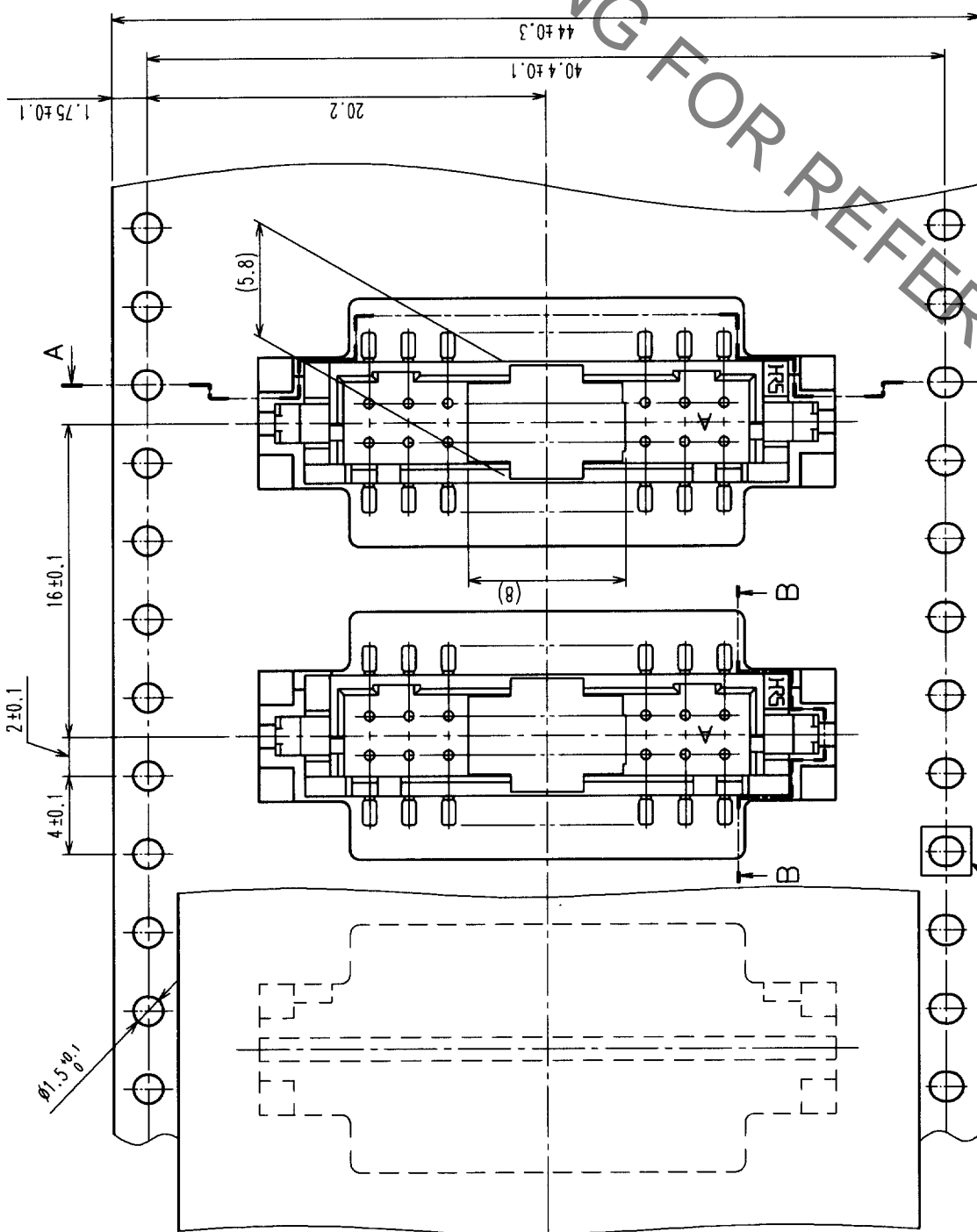
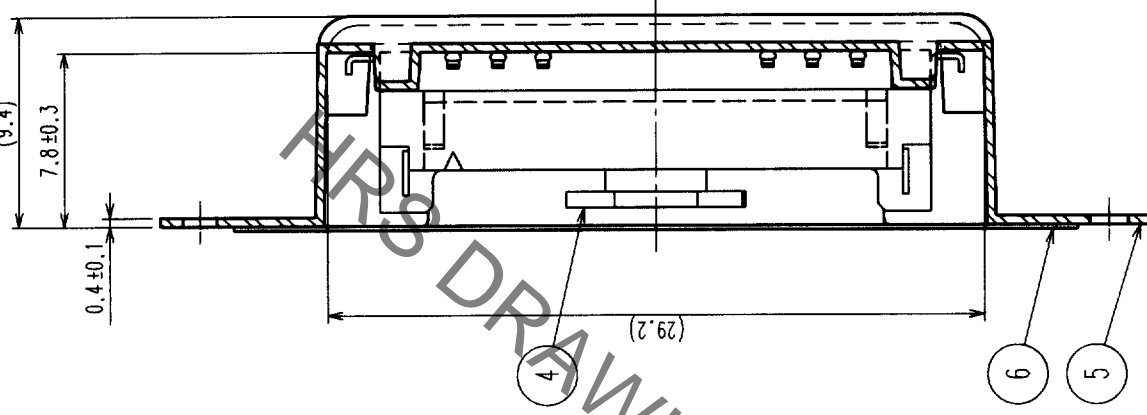
SCALE	UNITS
5 : 1	mm

CODE NO.
CL543-0690-0-57

TO

COUNT	DESCRIPTION OF REVISIONS	BY	CHKD	DATE	COUNT	DESCRIPTION OF REVISIONS	BY	CHKD	DATE

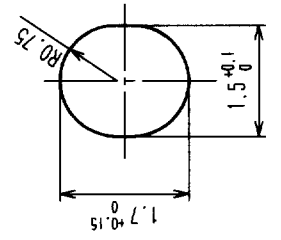
STYLE AND DIMENSION OF REEL



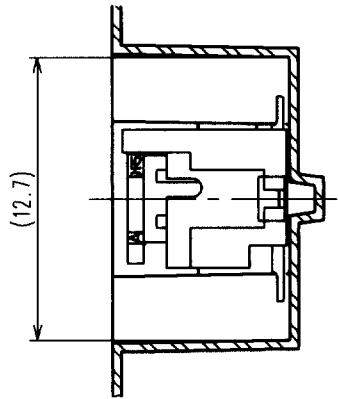
◇DETAIL OF PART No. LABEL

DATE OF MANUFACTURED	** * * * *
CODE No.	CL543-0690-0-57
PART No.	DF11C-20DP-2V(57)
QUANTITY	500 KO
SUPPLIER	HIROSE ELECTRIC CO., LTD.

C (10:1)



B-B



NOTE 2 : 1 REEL 500 CONNECTORS.  
 3 : AT THE BEGINNING OF THE REEL, 15 COMPONENTS SHALL BE EMPTY.  
 AT THE END OF THE REEL, 10 COMPONENTS SHALL BE EMPTY.  
 ◇DETAIL OF PART No. LABEL IS WRITTEN IN JAPANESE.

CODE NO. (OLD)		DRAWN	T. YAMAMOTO	DESIGNED	J. Yamamoto	CHECKED	M. Higuchi	APPROVED	K. Katayama	RELEASED	
SCALE	FR:EE	DRAWING NO.	EDC3-071162-01	PART NO.	DF11C-20DP-2V(57)	DATE	'01.8.30	DATE	'01.9.3	DATE	'01.9.3
UNITS	MM										

TO	


HIROSE ELECTRIC CO., LTD.  
 CL543-0690-0-57  
 2/2