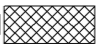
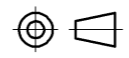


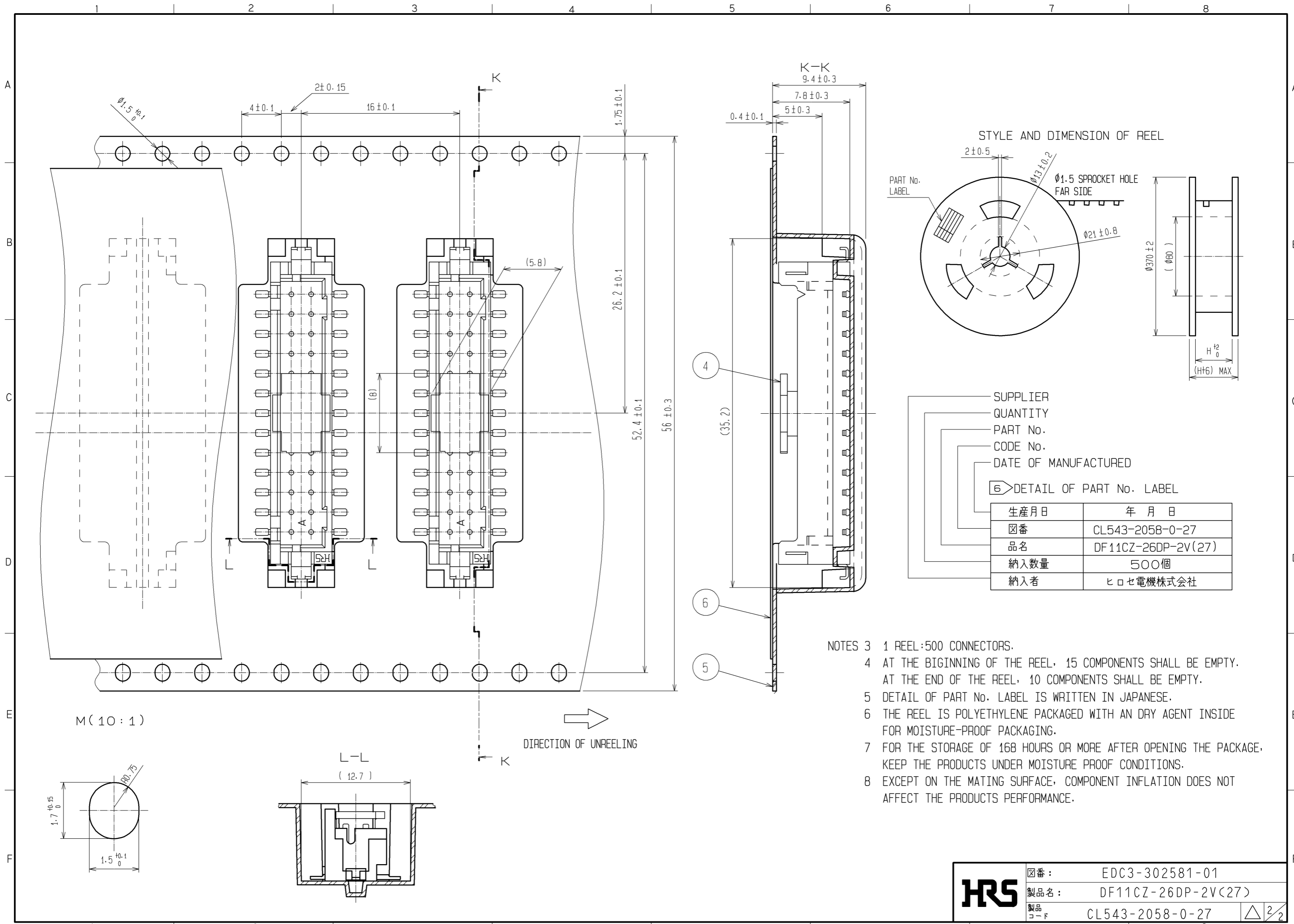
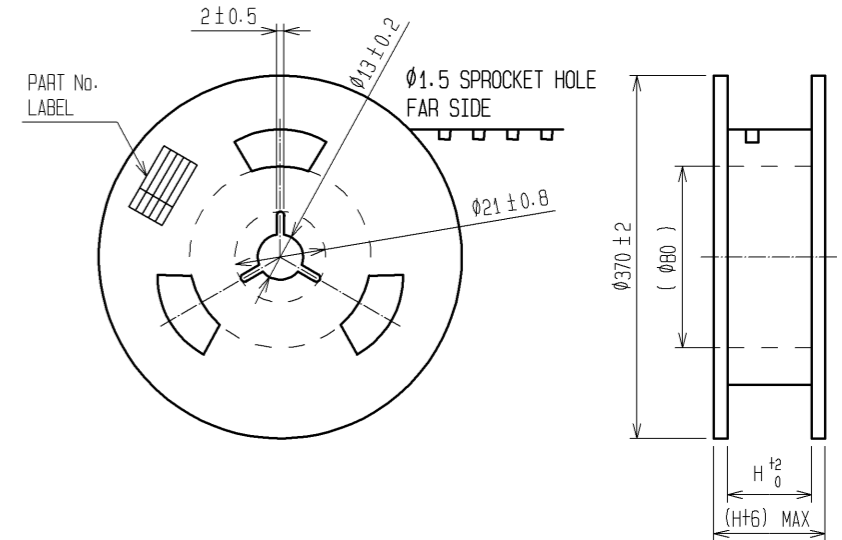


NOTES 1 IF THERE IS PATTERN ON  PART, THERE IS A POSSIBILITY THAT IT WILL MAKE CONTACT WITH THE LEADS.
 2 LEAD CO-PLANARITY INCLUDE REINFORCED METAL FITTINGS SHALL BE 0.1mm MAX.

2	BRASS	SURFACE:TIN PLATED 1μm min UNDER PLATING:NICKEL PLATED 0.5μm min	6	POLYESTER	CLEAR(COVER TAPE)		
1	POLYAMIDE	UL94V-0,NATURAL (BEIGE)	5	A-PET	CLEAR(EMBOSSD CARRIER TAPE)		
			4	POLYAMIDE	BLACK(ADSORPTIVE CAP)		
			3	BRASS	TIN PLATED 1μm min		
NO.	MATERIAL	FINISH , REMARKS	NO.	MATERIAL	FINISH , REMARKS		
UNITS mm		SCALE 5 : 1	COUNT 	DESCRIPTION OF REVISIONS	DESIGNED	CHECKED	DATE
HRS HIROSE ELECTRIC CO., LTD.		APPROVED : TS. SAKATA	10.02.19	DRAWING NO.	EDC3-302581-01		
		CHECED : TS. KUMAZAWA	10.02.19	PART NO.	DF11CZ-26DP-2V(27)		
		DESIGNED : TH. YOSHIKAWA	10.02.19	CODE NO.	CL543-2058-0-27		
		DRAWN : YK. NAKATSU	10.02.18		 1/2		



STYLE AND DIMENSION OF REEL



SUPPLIER
QUANTITY
PART No.
CODE No.
DATE OF MANUFACTURED

⑥ DETAIL OF PART No. LABEL

生産月日	年月日
図番	CL543-2058-0-27
品名	DF11CZ-26DP-2V(27)
納入数量	500個
納入者	ヒロセ電機株式会社

- NOTES
- 3 1 REEL:500 CONNECTORS.
 - 4 AT THE BEGINNING OF THE REEL, 15 COMPONENTS SHALL BE EMPTY. AT THE END OF THE REEL, 10 COMPONENTS SHALL BE EMPTY.
 - 5 DETAIL OF PART No. LABEL IS WRITTEN IN JAPANESE.
 - 6 THE REEL IS POLYETHYLENE PACKAGED WITH AN DRY AGENT INSIDE FOR MOISTURE-PROOF PACKAGING.
 - 7 FOR THE STORAGE OF 168 HOURS OR MORE AFTER OPENING THE PACKAGE, KEEP THE PRODUCTS UNDER MOISTURE PROOF CONDITIONS.
 - 8 EXCEPT ON THE MATING SURFACE, COMPONENT INFLATION DOES NOT AFFECT THE PRODUCTS PERFORMANCE.

HRS	図番:	EDC3-302581-01	△ 2/2
	製品名:	DF11CZ-26DP-2V(27)	
	製品コード:	CL543-2058-0-27	