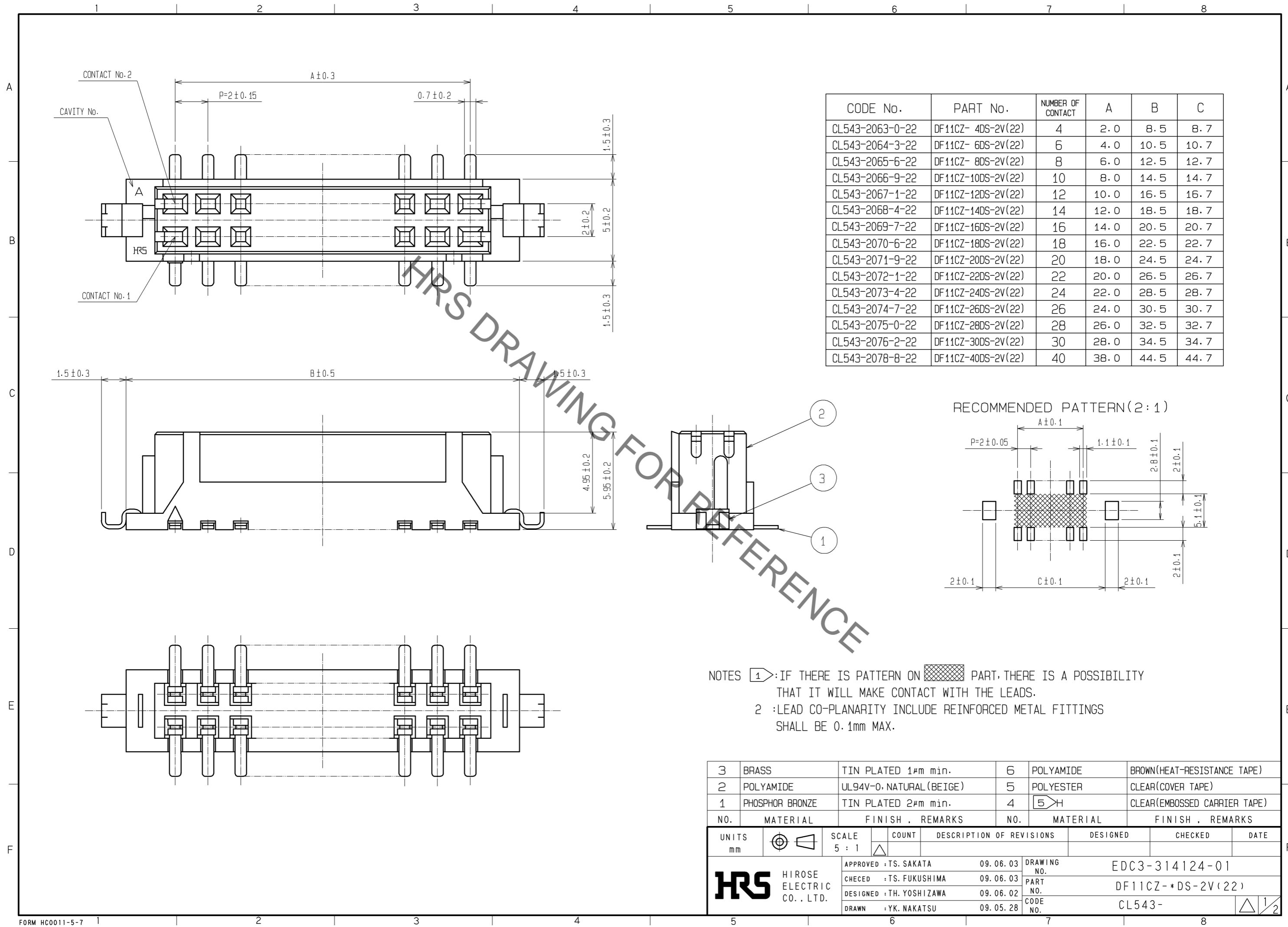


Apr.1.2020 Copyright 2020 HIROSE ELECTRIC CO., LTD. All Rights Reserved.
In case of consideration for using Automotive equipment / device which demand high reliability, kindly contact our sales window correspondents.



| CODE No. | PART No. | NUMBER OF CONTACT | A | B | C |
|-----------------|--------------------|-------------------|------|------|------|
| CL543-2063-0-22 | DF11CZ- 4DS-2V(22) | 4 | 2.0 | 8.5 | 8.7 |
| CL543-2064-3-22 | DF11CZ- 6DS-2V(22) | 6 | 4.0 | 10.5 | 10.7 |
| CL543-2065-6-22 | DF11CZ- 8DS-2V(22) | 8 | 6.0 | 12.5 | 12.7 |
| CL543-2066-9-22 | DF11CZ-10DS-2V(22) | 10 | 8.0 | 14.5 | 14.7 |
| CL543-2067-1-22 | DF11CZ-12DS-2V(22) | 12 | 10.0 | 16.5 | 16.7 |
| CL543-2068-4-22 | DF11CZ-14DS-2V(22) | 14 | 12.0 | 18.5 | 18.7 |
| CL543-2069-7-22 | DF11CZ-16DS-2V(22) | 16 | 14.0 | 20.5 | 20.7 |
| CL543-2070-6-22 | DF11CZ-18DS-2V(22) | 18 | 16.0 | 22.5 | 22.7 |
| CL543-2071-9-22 | DF11CZ-20DS-2V(22) | 20 | 18.0 | 24.5 | 24.7 |
| CL543-2072-1-22 | DF11CZ-22DS-2V(22) | 22 | 20.0 | 26.5 | 26.7 |
| CL543-2073-4-22 | DF11CZ-24DS-2V(22) | 24 | 22.0 | 28.5 | 28.7 |
| CL543-2074-7-22 | DF11CZ-26DS-2V(22) | 26 | 24.0 | 30.5 | 30.7 |
| CL543-2075-0-22 | DF11CZ-28DS-2V(22) | 28 | 26.0 | 32.5 | 32.7 |
| CL543-2076-2-22 | DF11CZ-30DS-2V(22) | 30 | 28.0 | 34.5 | 34.7 |
| CL543-2078-8-22 | DF11CZ-40DS-2V(22) | 40 | 38.0 | 44.5 | 44.7 |

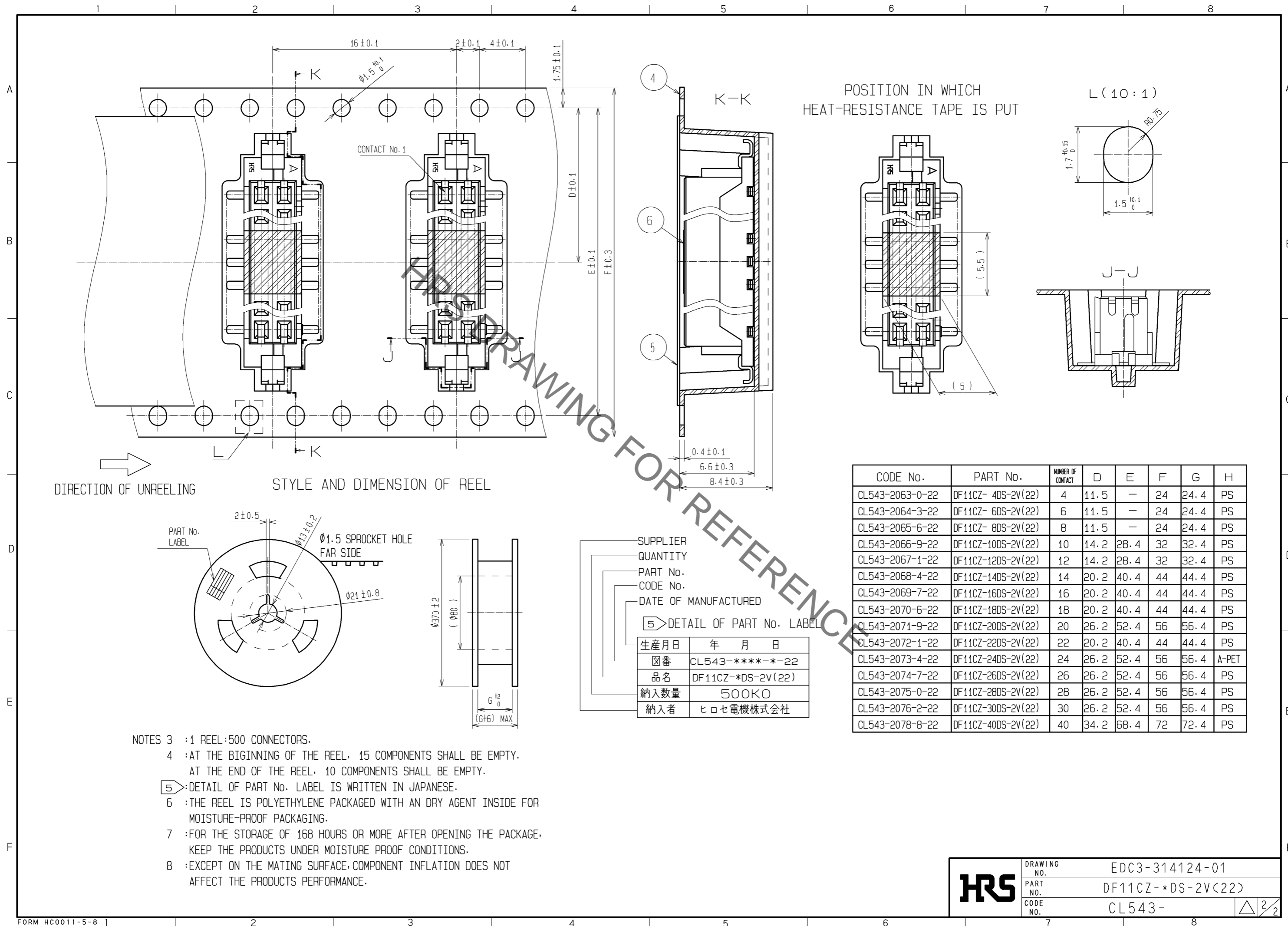
NOTES ①: IF THERE IS PATTERN ON PART, THERE IS A POSSIBILITY THAT IT WILL MAKE CONTACT WITH THE LEADS.
2 : LEAD CO-PLANARITY INCLUDE REINFORCED METAL FITTINGS SHALL BE 0.1mm MAX.

| NO. | MATERIAL | FINISH | REMARKS | NO. | MATERIAL | FINISH | REMARKS |
|-----|-----------------|------------|-----------------|-----|-----------|--------|-------------------------|
| 3 | BRASS | TIN PLATED | 1μm min. | 6 | POLYAMIDE | BROWN | (HEAT-RESISTANCE TAPE) |
| 2 | POLYAMIDE | UL94V-0 | NATURAL (BEIGE) | 5 | POLYESTER | CLEAR | (COVER TAPE) |
| 1 | PHOSPHOR BRONZE | TIN PLATED | 2μm min. | 4 | H | CLEAR | (EMBOSSED CARRIER TAPE) |

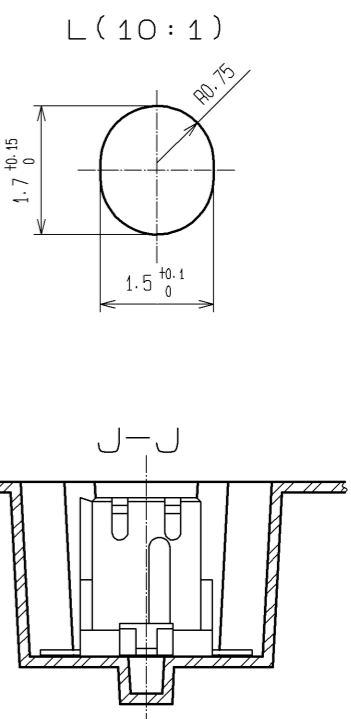
| UNITS | SCALE | COUNT | DESCRIPTION OF REVISIONS | DESIGNED | CHECKED | DATE |
|-------|-------|-------|--------------------------|----------|---------|------|
| mm | 5 : 1 | △ | | | | |

| | | | |
|--------------------------|----------|-------------|-------------------|
| APPROVED : TS. SAKATA | 09.06.03 | DRAWING NO. | EDC3-314124-01 |
| CHECED : TS. FUKUSHIMA | 09.06.03 | PART NO. | DF11CZ-*DS-2V(22) |
| DESIGNED : TH. YOSHIZAWA | 09.06.02 | CODE NO. | CL543- |
| DRAWN : YK. NAKATSU | 09.05.28 | | |

Apr.1.2020 Copyright 2020 HIROSE ELECTRIC CO., LTD. All Rights Reserved.
In case of consideration for using Automotive equipment / device which demand high reliability, kindly contact our sales window correspondents.



POSITION IN WHICH HEAT-RESISTANCE TAPE IS PUT



| CODE No. | PART No. | NUMBER OF CONTACT | D | E | F | G | H |
|-----------------|--------------------|-------------------|------|------|----|------|-------|
| CL543-2063-0-22 | DF11CZ- 4DS-2V(22) | 4 | 11.5 | — | 24 | 24.4 | PS |
| CL543-2064-3-22 | DF11CZ- 6DS-2V(22) | 6 | 11.5 | — | 24 | 24.4 | PS |
| CL543-2065-6-22 | DF11CZ- 8DS-2V(22) | 8 | 11.5 | — | 24 | 24.4 | PS |
| CL543-2066-9-22 | DF11CZ-10DS-2V(22) | 10 | 14.2 | 28.4 | 32 | 32.4 | PS |
| CL543-2067-1-22 | DF11CZ-12DS-2V(22) | 12 | 14.2 | 28.4 | 32 | 32.4 | PS |
| CL543-2068-4-22 | DF11CZ-14DS-2V(22) | 14 | 20.2 | 40.4 | 44 | 44.4 | PS |
| CL543-2069-7-22 | DF11CZ-16DS-2V(22) | 16 | 20.2 | 40.4 | 44 | 44.4 | PS |
| CL543-2070-6-22 | DF11CZ-18DS-2V(22) | 18 | 20.2 | 40.4 | 44 | 44.4 | PS |
| CL543-2071-9-22 | DF11CZ-20DS-2V(22) | 20 | 26.2 | 52.4 | 56 | 56.4 | PS |
| CL543-2072-1-22 | DF11CZ-22DS-2V(22) | 22 | 20.2 | 40.4 | 44 | 44.4 | PS |
| CL543-2073-4-22 | DF11CZ-24DS-2V(22) | 24 | 26.2 | 52.4 | 56 | 56.4 | A-PET |
| CL543-2074-7-22 | DF11CZ-26DS-2V(22) | 26 | 26.2 | 52.4 | 56 | 56.4 | PS |
| CL543-2075-0-22 | DF11CZ-28DS-2V(22) | 28 | 26.2 | 52.4 | 56 | 56.4 | PS |
| CL543-2076-2-22 | DF11CZ-30DS-2V(22) | 30 | 26.2 | 52.4 | 56 | 56.4 | PS |
| CL543-2078-8-22 | DF11CZ-40DS-2V(22) | 40 | 34.2 | 68.4 | 72 | 72.4 | PS |

SUPPLIER
QUANTITY
PART No.
CODE No.
DATE OF MANUFACTURED

⑤ DETAIL OF PART No. LABEL

| | |
|------|-------------------|
| 生産月日 | 年 月 日 |
| ☒番 | CL543-****-**-22 |
| 品名 | DF11CZ-*DS-2V(22) |
| 納入数量 | 500KO |
| 納入者 | ヒロセ電機株式会社 |

- NOTES 3 : 1 REEL : 500 CONNECTORS.
 4 : AT THE BEGINNING OF THE REEL, 15 COMPONENTS SHALL BE EMPTY.
 AT THE END OF THE REEL, 10 COMPONENTS SHALL BE EMPTY.
 ⑤ : DETAIL OF PART No. LABEL IS WRITTEN IN JAPANESE.
 6 : THE REEL IS POLYETHYLENE PACKAGED WITH AN DRY AGENT INSIDE FOR MOISTURE-PROOF PACKAGING.
 7 : FOR THE STORAGE OF 168 HOURS OR MORE AFTER OPENING THE PACKAGE, KEEP THE PRODUCTS UNDER MOISTURE PROOF CONDITIONS.
 8 : EXCEPT ON THE MATING SURFACE, COMPONENT INFLATION DOES NOT AFFECT THE PRODUCTS PERFORMANCE.

| | | |
|------------|-------------|-------------------|
| HRS | DRAWING NO. | EDC3-314124-01 |
| | PART NO. | DF11CZ-*DS-2V(22) |
| | CODE NO. | CL543- |