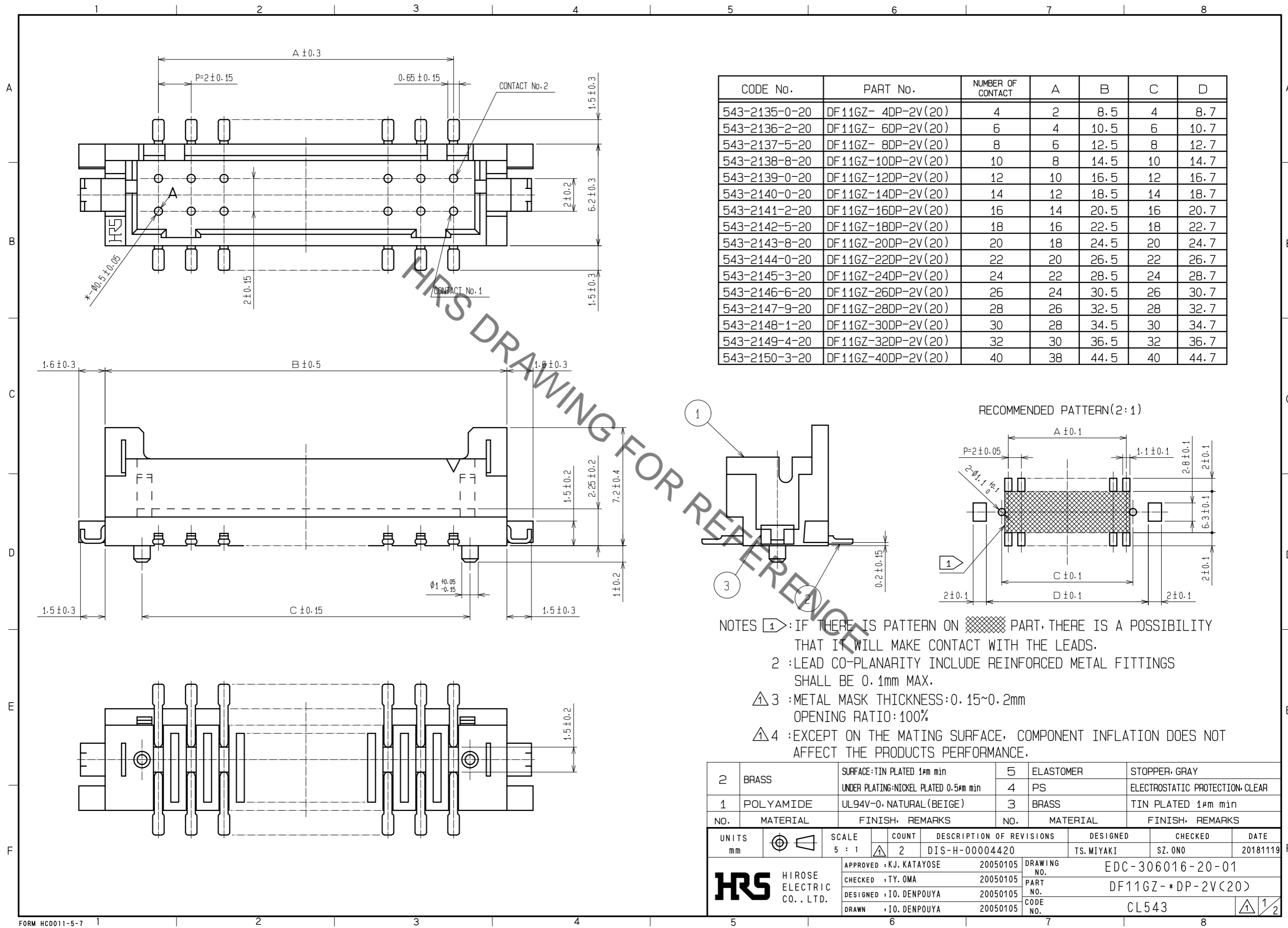
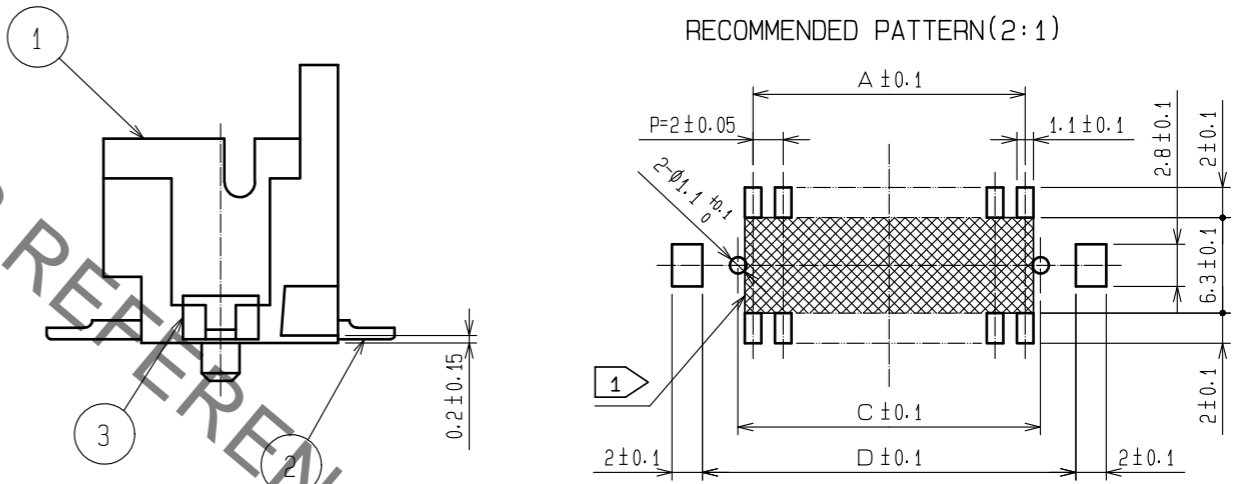


Apr.1.2020 Copyright 2020 HIROSE ELECTRIC CO., LTD. All Rights Reserved.
In case of consideration for using Automotive equipment / device which demand high reliability, kindly contact our sales window correspondents.



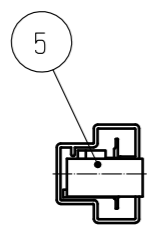
CODE No.	PART No.	NUMBER OF CONTACT	A	B	C	D
543-2135-0-20	DF11GZ- 4DP-2V(20)	4	2	8.5	4	8.7
543-2136-2-20	DF11GZ- 6DP-2V(20)	6	4	10.5	6	10.7
543-2137-5-20	DF11GZ- 8DP-2V(20)	8	6	12.5	8	12.7
543-2138-8-20	DF11GZ-10DP-2V(20)	10	8	14.5	10	14.7
543-2139-0-20	DF11GZ-12DP-2V(20)	12	10	16.5	12	16.7
543-2140-0-20	DF11GZ-14DP-2V(20)	14	12	18.5	14	18.7
543-2141-2-20	DF11GZ-16DP-2V(20)	16	14	20.5	16	20.7
543-2142-5-20	DF11GZ-18DP-2V(20)	18	16	22.5	18	22.7
543-2143-8-20	DF11GZ-20DP-2V(20)	20	18	24.5	20	24.7
543-2144-0-20	DF11GZ-22DP-2V(20)	22	20	26.5	22	26.7
543-2145-3-20	DF11GZ-24DP-2V(20)	24	22	28.5	24	28.7
543-2146-6-20	DF11GZ-26DP-2V(20)	26	24	30.5	26	30.7
543-2147-9-20	DF11GZ-28DP-2V(20)	28	26	32.5	28	32.7
543-2148-1-20	DF11GZ-30DP-2V(20)	30	28	34.5	30	34.7
543-2149-4-20	DF11GZ-32DP-2V(20)	32	30	36.5	32	36.7
543-2150-3-20	DF11GZ-40DP-2V(20)	40	38	44.5	40	44.7



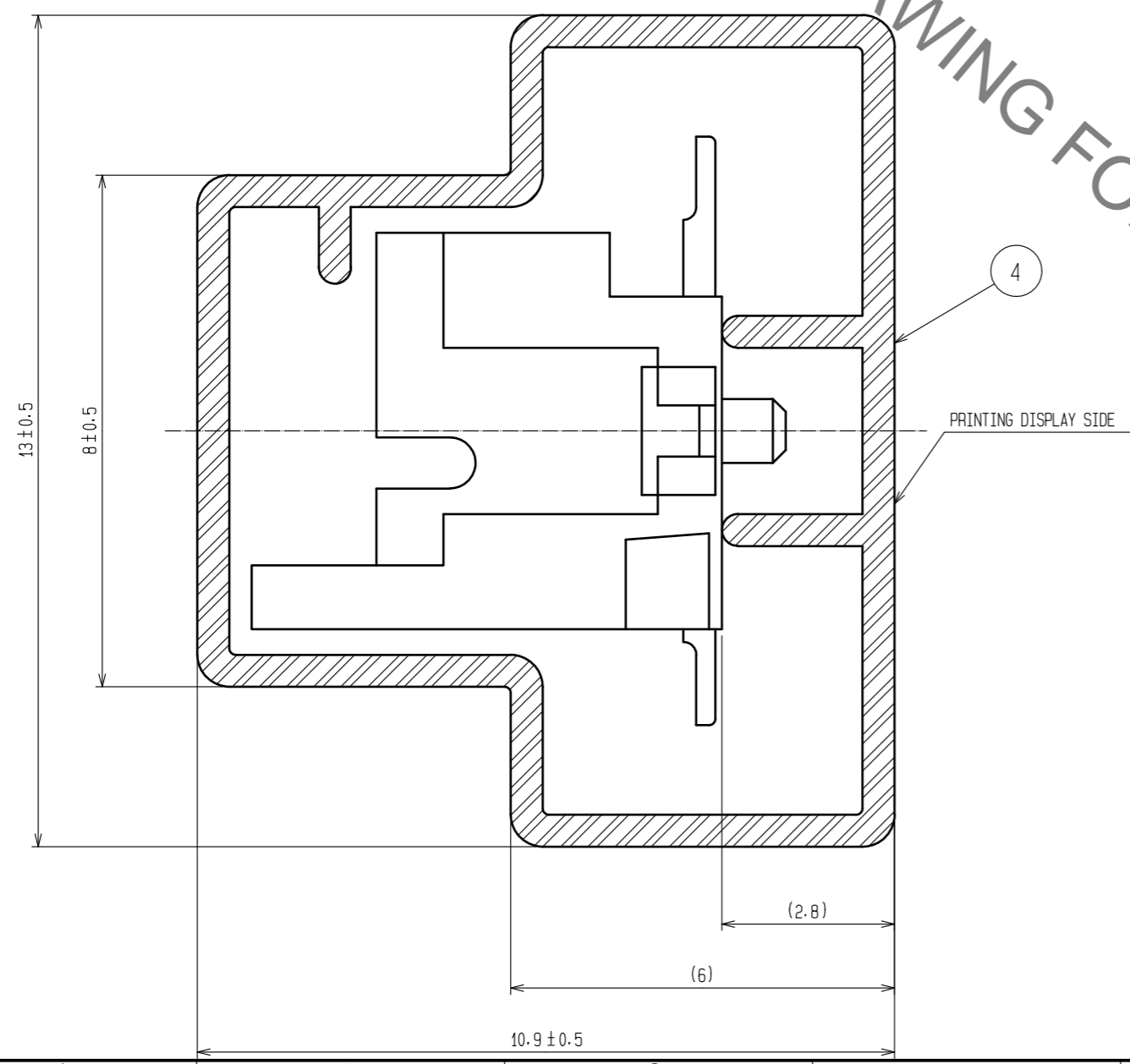
- NOTES
- ① : IF THERE IS PATTERN ON PART, THERE IS A POSSIBILITY THAT IT WILL MAKE CONTACT WITH THE LEADS.
 - ② : LEAD CO-PLANARITY INCLUDE REINFORCED METAL FITTINGS SHALL BE 0.1mm MAX.
 - △③ : METAL MASK THICKNESS: 0.15~0.2mm
OPENING RATIO: 100%
 - △④ : EXCEPT ON THE MATING SURFACE, COMPONENT INFLATION DOES NOT AFFECT THE PRODUCTS PERFORMANCE.

2	BRASS	SURFACE:TIN PLATED 1μm min	5	ELASTOMER	STOPPER, GRAY		
		UNDER PLATING:NICKEL PLATED 0.5μm min	4	PS	ELECTROSTATIC PROTECTION: CLEAR		
1	POLYAMIDE	UL94V-0, NATURAL (BEIGE)	3	BRASS	TIN PLATED 1μm min		
NO.	MATERIAL	FINISH, REMARKS	NO.	MATERIAL	FINISH, REMARKS		
UNITS mm		SCALE 5 : 1	COUNT 2	DESCRIPTION OF REVISIONS DIS-H-00004420	DESIGNED TS.MIYAKI	CHECKED SZ.ONO	DATE 20181119
HRS HIROSE ELECTRIC CO., LTD.		APPROVED : KJ. KATAYOSE	20050105	DRAWING NO. EDC-306016-20-01			
		CHECKED : TY. OMA	20050105	PART NO. DF11GZ- *DP-2V(20)			
		DESIGNED : IO. DENPOUYA	20050105	CODE NO. CL543			
		DRAWN : IO. DENPOUYA	20050105				

Apr.1.2020 Copyright 2020 HIROSE ELECTRIC CO., LTD. All Rights Reserved.
 In case of consideration for using Automotive equipment / device which demand high reliability, kindly contact our sales window correspondents.



E-E (10 : 1)



NOTES 5 : NUMBER OF CONNECTORS PER A MAGAZINE CASE SHALL BE IN ACCORDANCE WITH THE LIST BELOW.
 6 : THESE CONNECTORS SHALL BE ON SALED IN ACCORDANCE WITH THE MULTIPLE QUANTITY ON THE LIST.

CODE No.	PART No.	QUANTITY OF CONNECTOR
543-2135-0-20	DF11GZ- 4DP-2V(20)	41
543-2136-2-20	DF11GZ- 6DP-2V(20)	35
543-2137-5-20	DF11GZ- 8DP-2V(20)	30
543-2138-8-20	DF11GZ-10DP-2V(20)	27
543-2139-0-20	DF11GZ-12DP-2V(20)	24
543-2140-0-20	DF11GZ-14DP-2V(20)	22
543-2141-2-20	DF11GZ-16DP-2V(20)	20
543-2142-5-20	DF11GZ-18DP-2V(20)	18
543-2143-8-20	DF11GZ-20DP-2V(20)	17
543-2144-0-20	DF11GZ-22DP-2V(20)	16
543-2145-3-20	DF11GZ-24DP-2V(20)	15
543-2146-6-20	DF11GZ-26DP-2V(20)	14
543-2147-9-20	DF11GZ-28DP-2V(20)	13
543-2148-1-20	DF11GZ-30DP-2V(20)	12
543-2149-4-20	DF11GZ-32DP-2V(20)	12
543-2150-3-20	DF11GZ-40DP-2V(20)	10

HRS	DRAWING NO.	EDC-306016-20-01
	PART NO.	DF11GZ-*DP-2V(20)
	CODE NO.	CL543