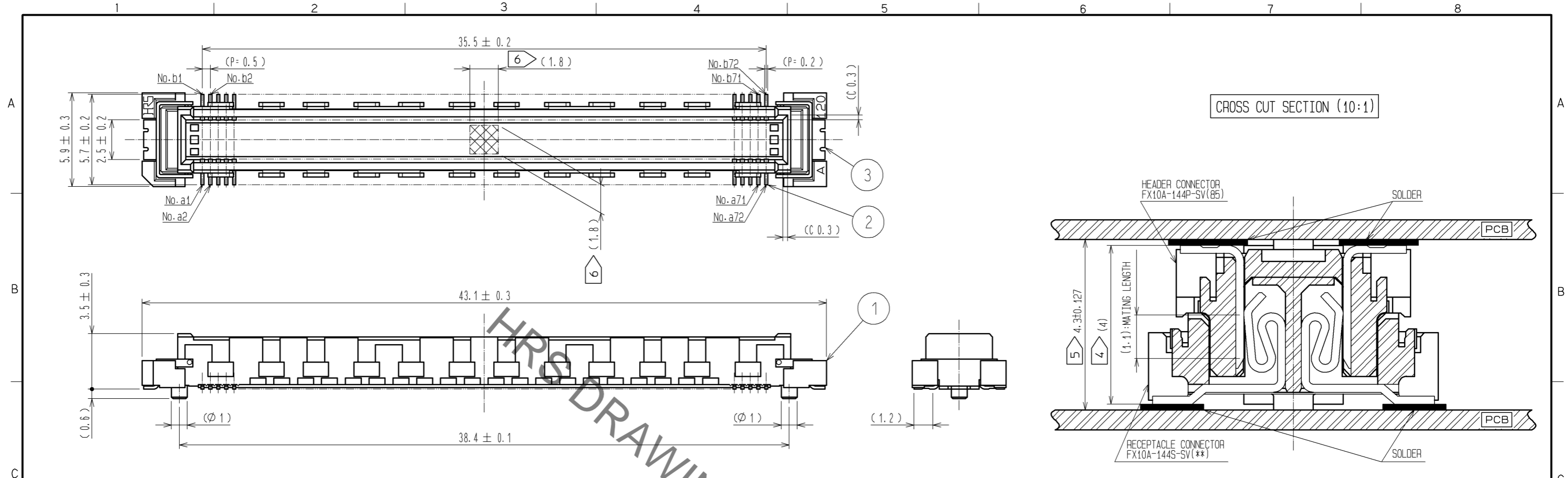
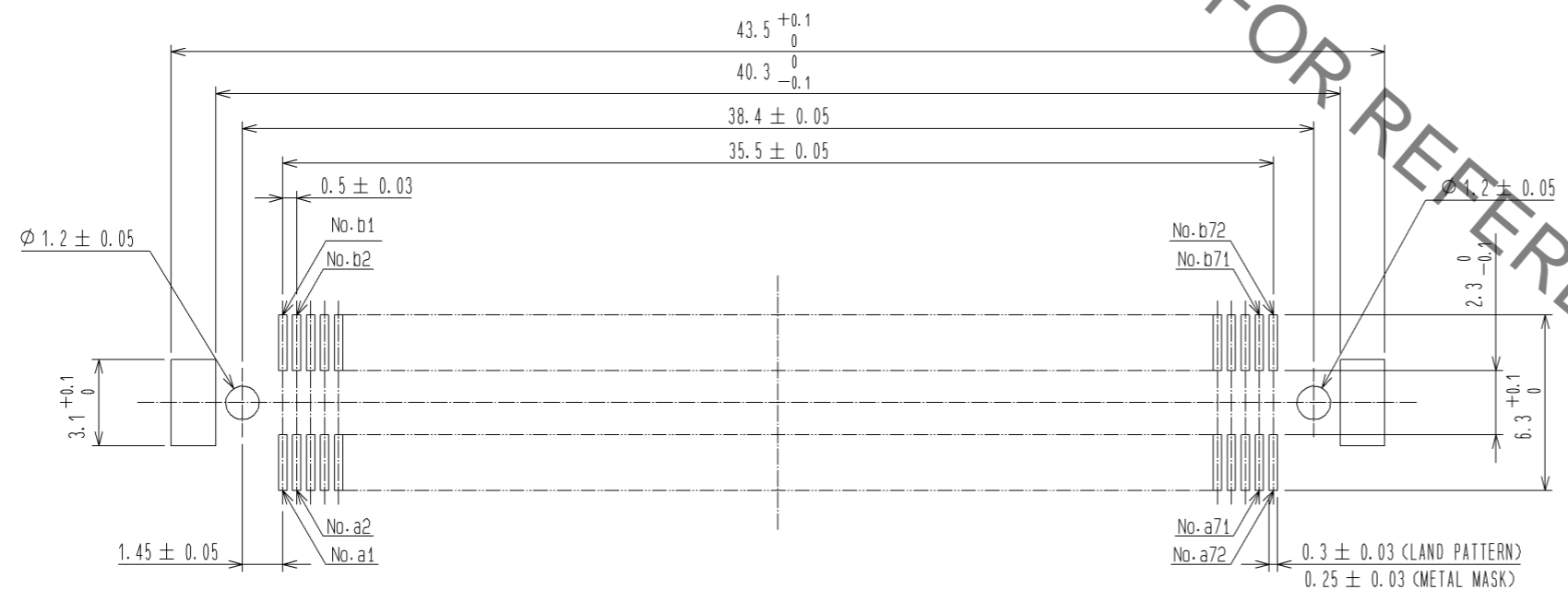


Jun.1.2020 Copyright 2020 HIROSE ELECTRIC CO., LTD. All Rights Reserved.
 In case of consideration for using Automotive equipment / device which demand high reliability, kindly contact our sales window correspondents.



RECOMMENDED LAND PATTERN DIMENSION OF PCB
 (RECOMMENDED METAL MASK THICKNESS: 0.15mm)



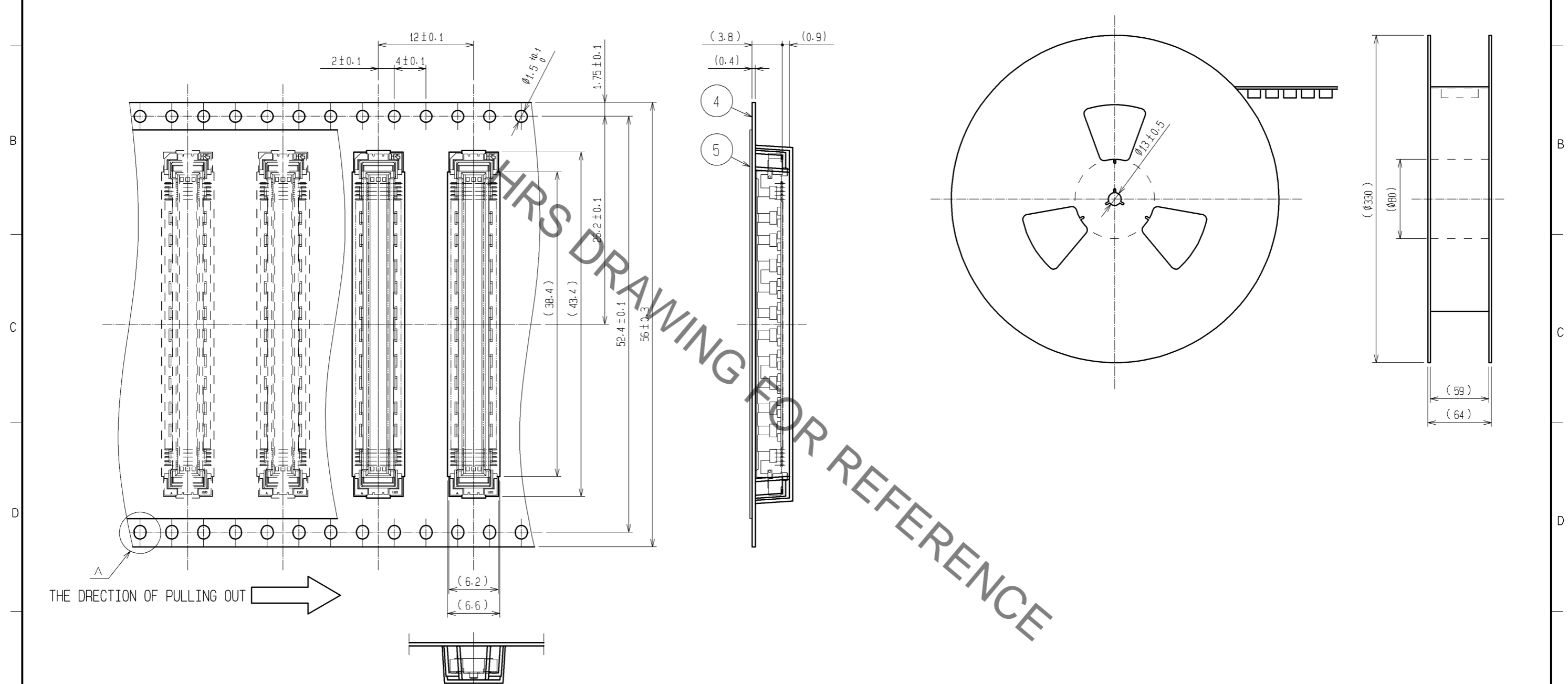
- NOTES
- 1 SMT LEAD-COPLANARITY: 0.1 MAX.
 - 2 THIS PRODUCT HAS NO POLARITY TO PATTERN FOR MOUNTING.
 - 3 THE DIMENSIONS IN PARENTHESES ARE FOR REFERENCE.
 - 4 STACKING HEIGHT FROM LEAD TO LEAD (REFERENCE DIMENSIONS)
 - 5 BOARD DISTANCE
 - 6 AREA IS VACUUM PICKUP AREA FOR REFERENCE.
 - 7 EMBOSS CARRIER TAPE PACKAGE IS APPLIED ON THIS PRODUCT. PLEASE REFER TO THE SHEET 2/2 FOR THE RETAILS.

2	PHOSPHOR BRONZE	CONTACT AREA: GOLD 0.76μm min.	5	PET	TOP COVER TAPE			
		LEAD AREA: GOLD 0.03μm min.	4	PS	EMBOSSED CARRIER TAPE			
		UNDER PLATING: NICKEL 1.3μm min.	3	PHOSPHOR BRONZE	SURFACE AREA: GOLD 0.03μm min. UNDER PLATING: NICKEL 1.3μm min.			
1	LCP	BEIGE UL94V-0						
NO.	MATERIAL	FINISH . REMARKS	NO.	MATERIAL	FINISH . REMARKS			
UNITS mm			SCALE 4 : 1	COUNT	DESCRIPTION OF REVISIONS	DESIGNED	CHECKED	DATE
HRS HIROSE ELECTRIC CO., LTD.		APPROVED : HS. OKAWA	13.01.11	DRAWING NO.	EDC3-151954-26			
		CHECKED : HT. YAMAGUCHI	13.01.11	PART NO.	FX10A-144P-SV(85)			
		DESIGNED : YJ. ASAO	13.01.11	CODE NO.	CL570-0043-5-85			
		DRAWN : YJ. ASAO	13.01.11		1/2			

Jun.1.2020 Copyright 2020 HIROSE ELECTRIC CO., LTD. All Rights Reserved.
 In case of consideration for using Automotive equipment / device which demand high reliability, kindly contact our sales window correspondents.

DRAWING FOR PACKING(2:1)

REELED DIMENSION(Free)



THE DIRECTION OF PULLING OUT →

A (5:1)

- NOTES
- 1 1 REEL : 250 CONNECTORS.
 - 2 MINIMUM 10 COMPARTMENTS FROM BOTH REEL ENDS REMAIN EMPTY.
 - 3 THIS PRODUCT HAS NO POLARITY TO TAPE AND REEL PACKAGING.
 - 4 THE DIMENSIONS IN PARENTHESES ARE FOR REFERENCE.

HRS	DRAWING NO.	EDC3-151954-26
	PART NO.	FX10A-144P-SV(85)
	CODE NO.	CL570-0043-5-85
		△ 2/2