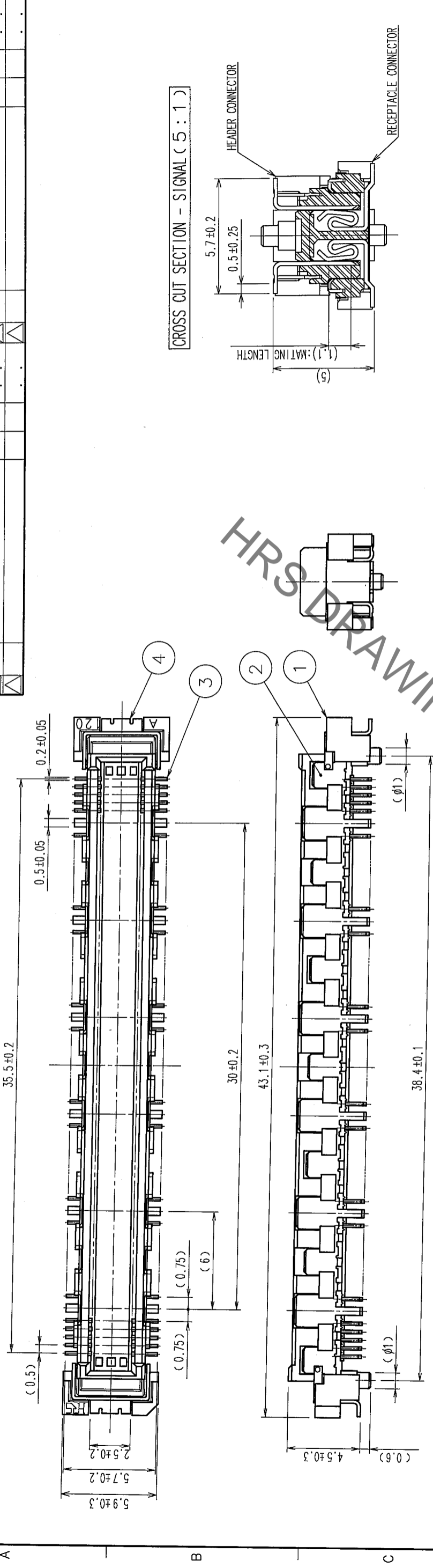
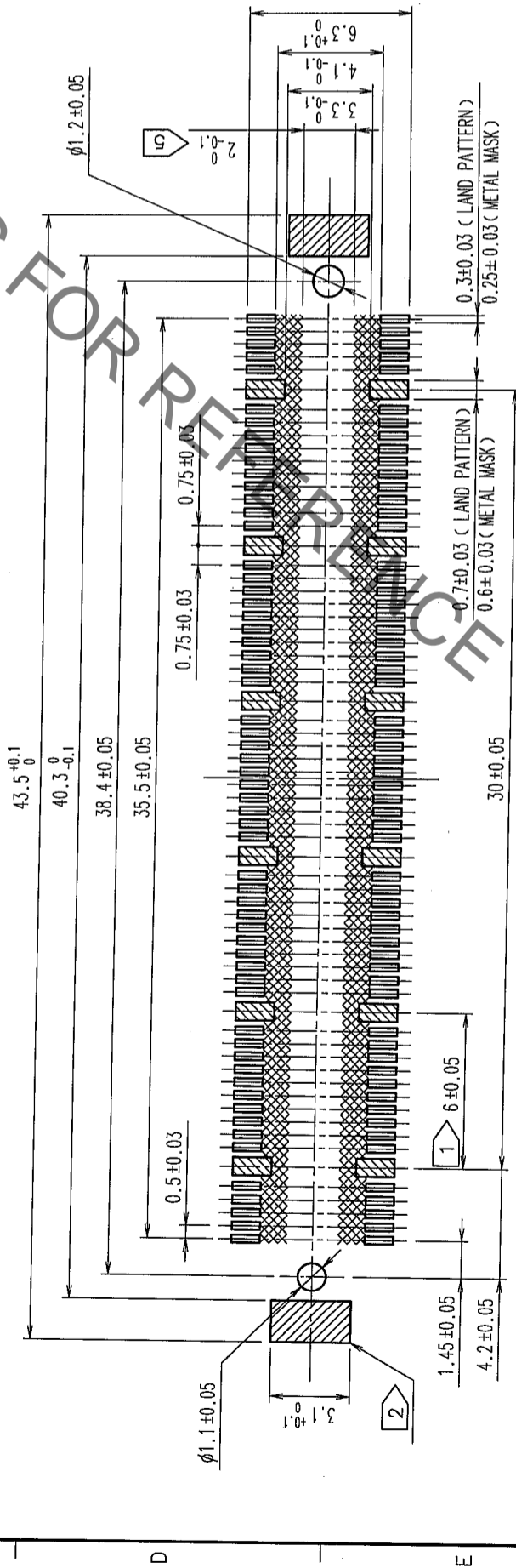


COUNT	DESCRIPTION OF REVISIONS	BY	CHKD	DATE	COUNT	DESCRIPTION OF REVISIONS	BY	CHKD	DATE

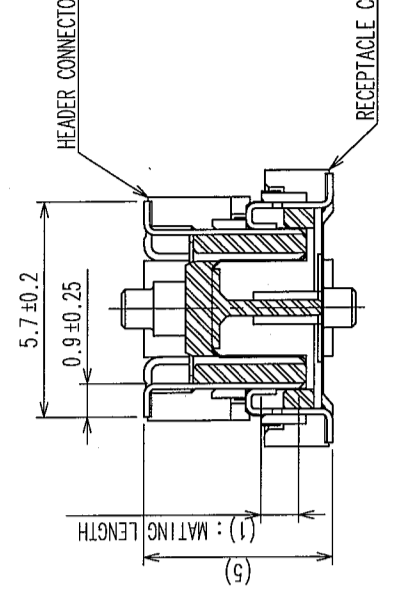


RECOMMENDED LAND PATTERN DIMENSION OF PCB

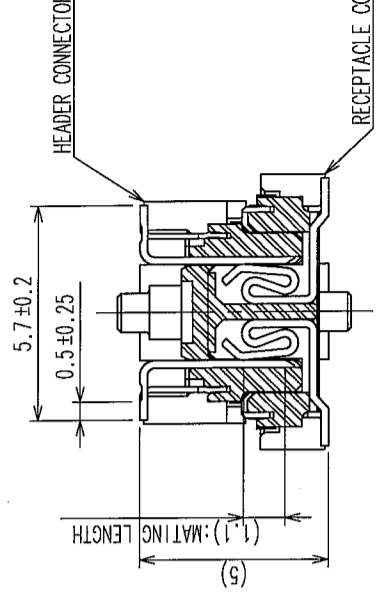


- NOTES
- 12 HATCHED PARTS: GROUND CIRCUIT.
 - 2 HATCHED PARTS: GROUND CIRCUIT.
 - SMT LEAD-COPLANARITY: 0.1 MAX.
 - THIS PRODUCT HAS NO POLARITY TO PATTERN FOR MOUNTING.
 - MAKE SURE WIDTH OF PATTERN IS WITHIN THAT OF LAND, OR LEAD MAY TOUCH PATTERN. (THIS APPLIES TO HATCHED AREA.)
 - EMBOSS CARRIER TAPE PACKAGE IS APPLIED ON THIS PRODUCT. PLEASE REFER TO THE SHEET 2/2 FOR THE DETAILS.
 - THE DIMENSIONS IN PARENTHESES ARE FOR REFERENCE.

CROSS CUT SECTION - GROUND (5:1)



CROSS CUT SECTION - SIGNAL (5:1)



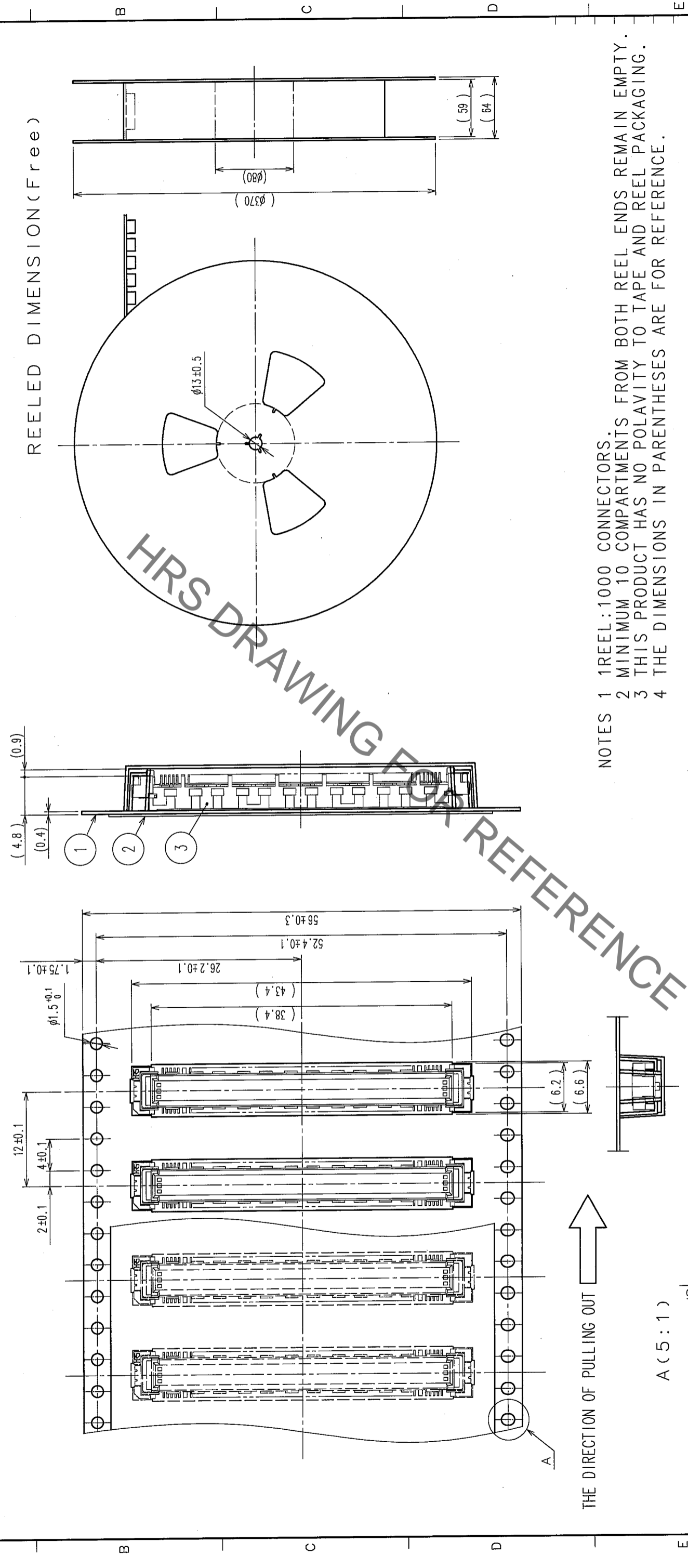
NO.	MATERIAL	FINISH, REMARKS	NO.	MATERIAL	FINISH, REMARKS
2	PHOSPHOR BRONZE	TIN-PLATING	4	PHOSPHOR BRONZE	TIN-PLATING
1	LCP	BEIGE UL94V-0	3	PHOSPHOR BRONZE	CONTACT AREA: GOLD 0.1μm min. LEAD AREA: TIN-PLATING 1μm min. UNDER PLATING: NICKEL 1μm min.

CODE NO. (OLD)	CL	DRAWN	DESIGNED	CHECKED	APPROVED	RELEASED
		T. YANAGISAWA	H. Nakamura	K. Ogawa	H. Okawa	
		'05.12.14	'05.12.14	'05.12.15	'05.12.16	

PART NO.	DRAWING NO.	CODE NO.
FX10A-120P/12-SV1(91)	EDC3-151962-21	CL570-0103-5-91



COUNT	DESCRIPTION OF REVISIONS	BY	CHKD	DATE	COUNT	DESCRIPTION OF REVISIONS	BY	CHKD	DATE
△					△				
△					△				
△					△				



NOTES

- 1 REEL: 1000 CONNECTORS.
- 2 MINIMUM 10 COMPARTMENTS FROM BOTH REEL ENDS REMAIN EMPTY.
- 3 THIS PRODUCT HAS NO POLARITY TO TAPE AND REEL PACKAGING.
- 4 THE DIMENSIONS IN PARENTHESES ARE FOR REFERENCE.

2	PET	TOP COVER TAPE	(CONNECTOR)		
1	PS	EMBOSSED CARRIER TAPE	3		
NO.	MATERIAL	FINISH, REMARKS	NO.	MATERIAL	FINISH, REMARKS
CODE NO. (OLD)	CL		DRAWN	DESIGNED	CHECKED
			T. YANAGISAWA	H. Yamamura	K. Oyamane
			'05.12.14	'05.12.14	'05.12.15
					H. Okawa
					'05.12.16
DRAWING FOR PACKING			PART NO.		
EDC3-151962-21			FX10A-120P/12-SV1(91)		
SCALE			CODE NO.		
2 : 1			CL570-0103-5-91		
UNITS			HRS HIROSE ELECTRIC CO., LTD		
			2		

TO	