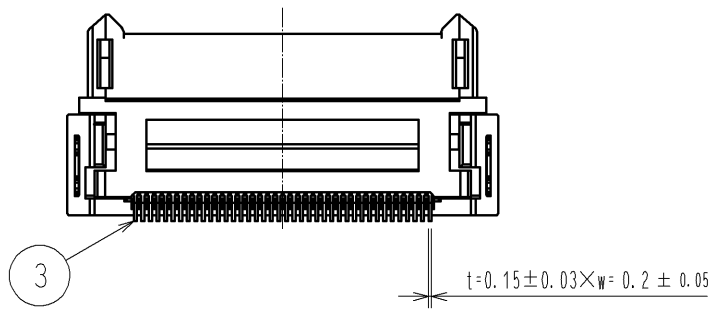
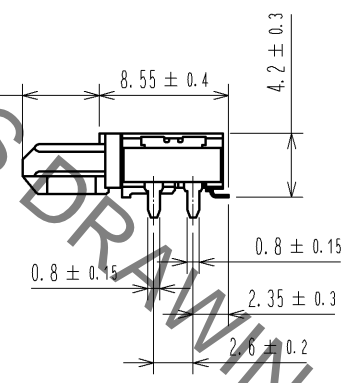
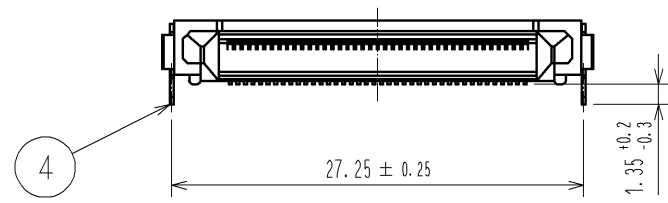
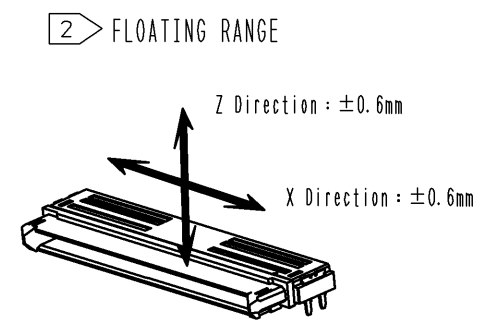
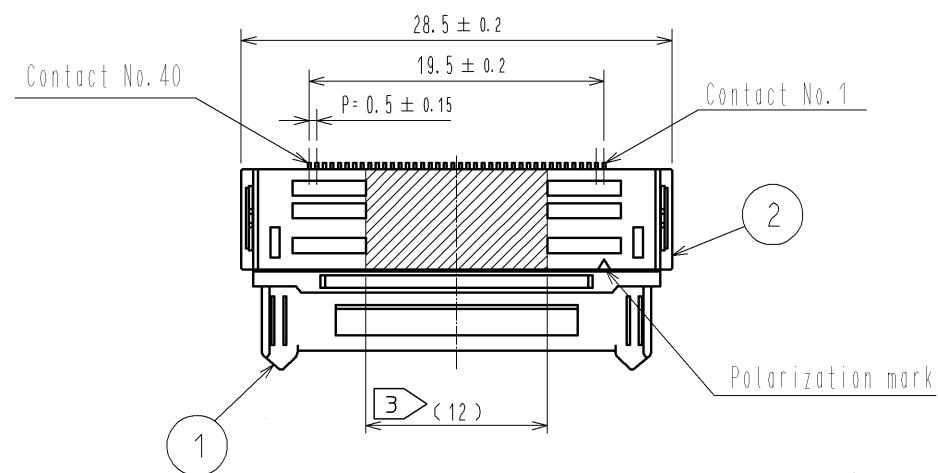
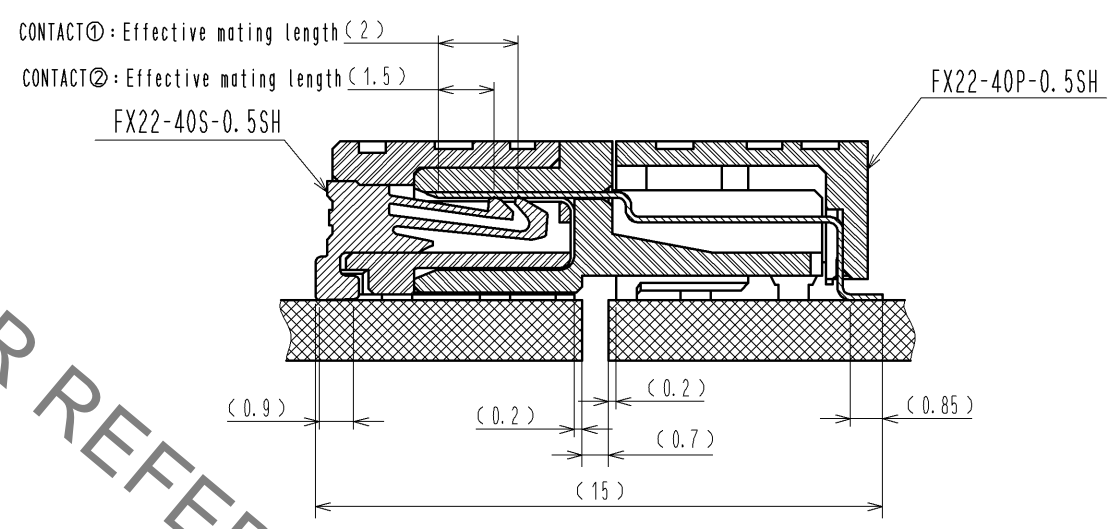


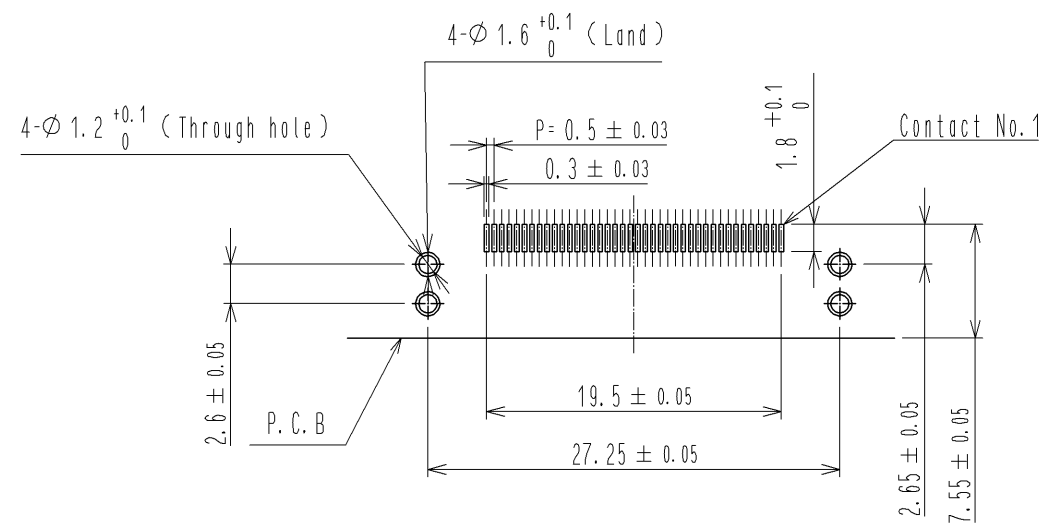
Apr.1.2020 Copyright 2020 HIROSE ELECTRIC CO., LTD. All Rights Reserved.  
In case of consideration for using Automotive equipment / device which demand high reliability, kindly contact our sales window correspondents.



CROSS SECTION OF MATING(5:1)



RECOMMENDED LAND PATTERN DIMENSION OF PCB  
(PCB THICKNESS: t=1.6mm METAL MASK THICKNESS: t=0.12mm)



- NOTE 1 Lead CO-Planarity is 0.1mm MAX.  
 2 Floating range of this connector is ±0.6mm MAX.  
 3 It shows the vacuum pickup area.  
 4 Packing for product applies embossed carrier tape packing. (500pcs/RL)  
 5 Blemish and hit mark can be occurred through out the manufacturing process which doesn't affect quality level.  
 6 The dimensions in parentheses are for references.

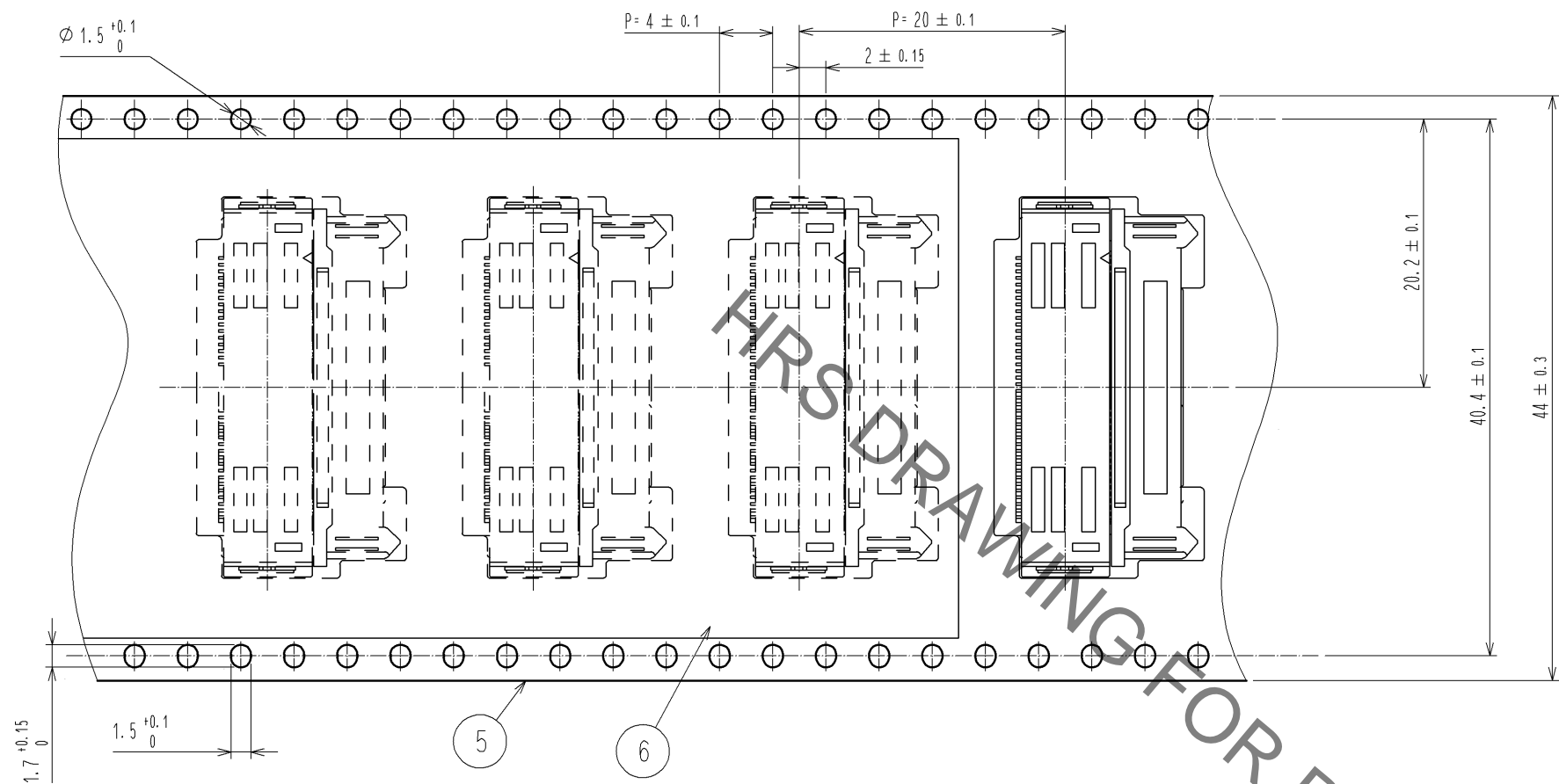
3	COPPER ALLOY	CONTACT AREA:GOLD 0.1 μm	6	POLYESTER	(EMBOSSED COVER TAPE)
		LEAD AREA:GOLD 0.03 μm	5	POLYSTYRENE	(EMBOSSED CARRIER TAPE)
		UNDER PLATING:NICKEL 1.3 μm	4	BRASS	TIN-PLATING 3 μm
2	POLYAMIDE	BLACK UL94V-0			UNDER PLATING:NICKEL 1 μm
1	POLYAMIDE	BLACK UL94V-0			
NO.	MATERIAL	FINISH . REMARKS	NO.	MATERIAL	FINISH . REMARKS

UNITS mm		SCALE 2 : 1	COUNT 	DESCRIPTION OF REVISIONS	DESIGNED	CHECKED	DATE
HIROSE ELECTRIC CO., LTD.				APPROVED : HS. OKAWA 14.09.30	DRAWING NO. EDC3-352596-00		
				CHECKED : KN. SHIBUYA 14.09.30	PART NO. FX22-40P-0.5SH		
				DESIGNED : AH. EDASHIGE 14.09.30	CODE NO. CL572-3001-4-00		
				DRAWN : AH. EDASHIGE 14.09.30	1/2		

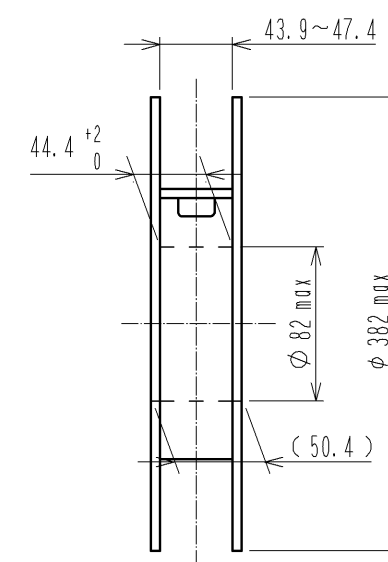
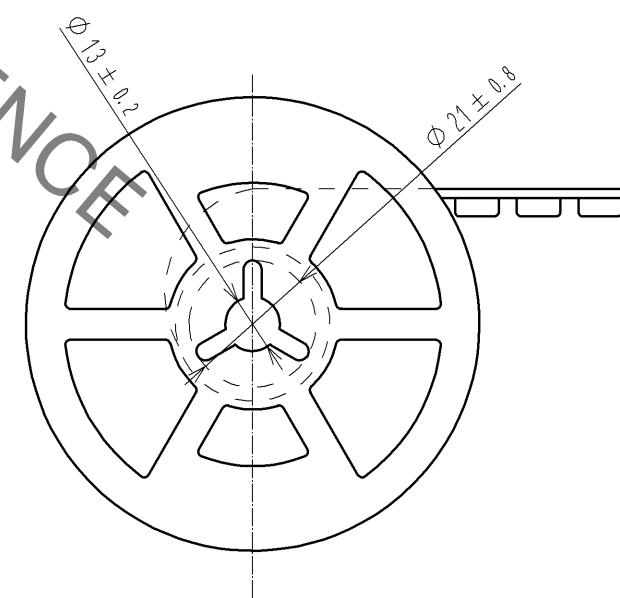
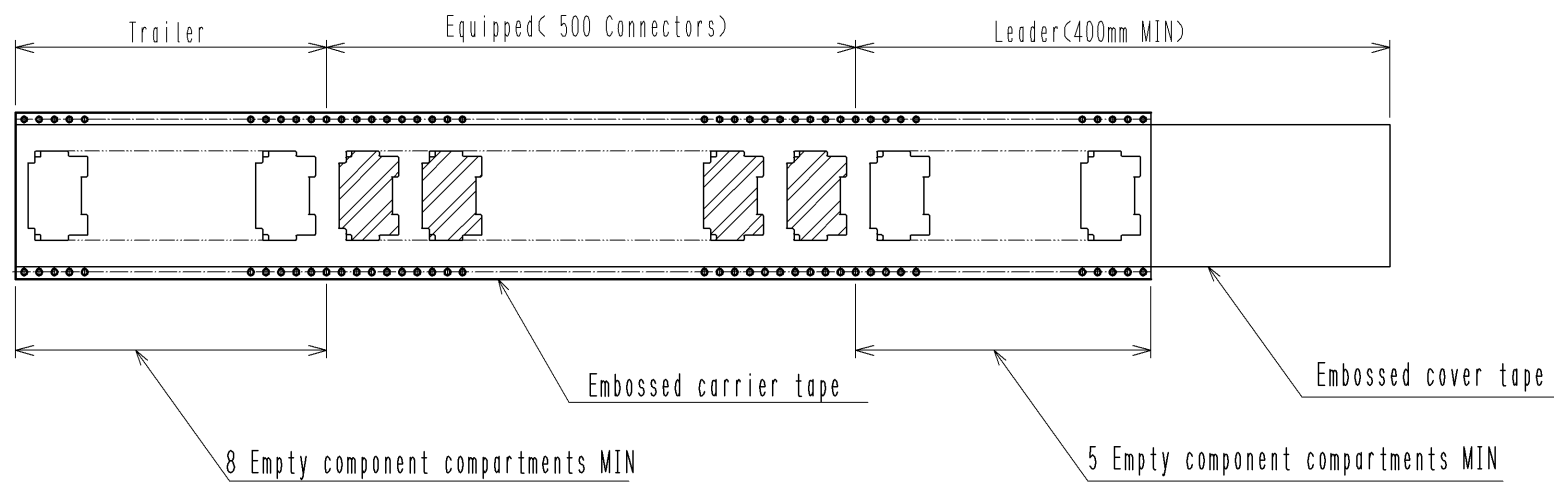
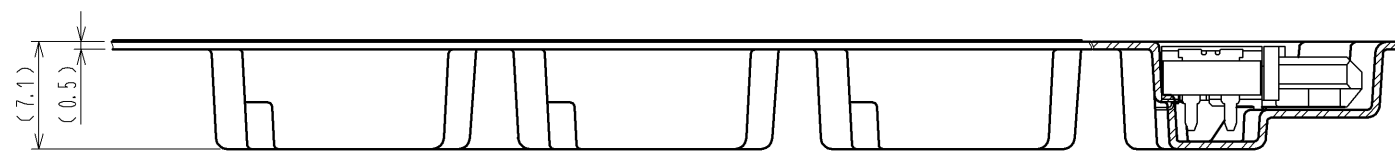
Apr.1.2020 Copyright 2020 HIROSE ELECTRIC CO., LTD. All Rights Reserved.  
 In case of consideration for using Automotive equipment / device which demand high reliability, kindly contact our sales window correspondents.

4 DRAWING FOR PACKING

The direction of pulling out →



REELING DIMENSION (No scale)



<b>HRS</b>	図番:	EDC3-352596-00	$\triangle \frac{2}{2}$
	製品名:	FX22-40P-0.5SH	
	製品コード:	CL572-3001-4-00	