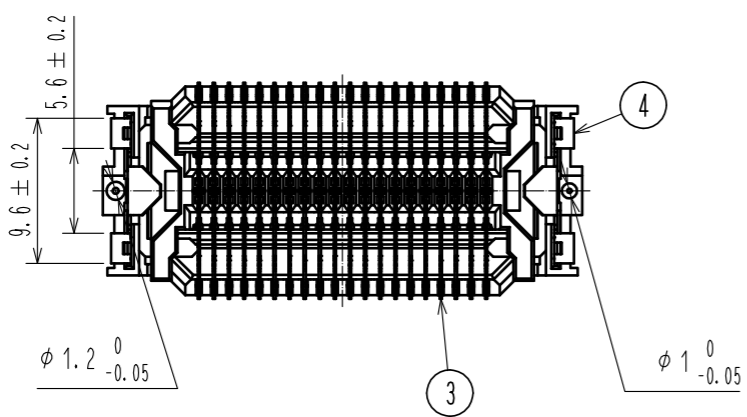
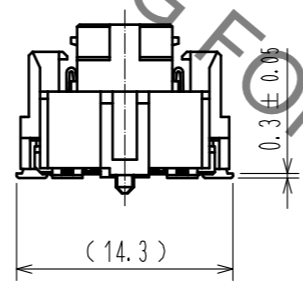
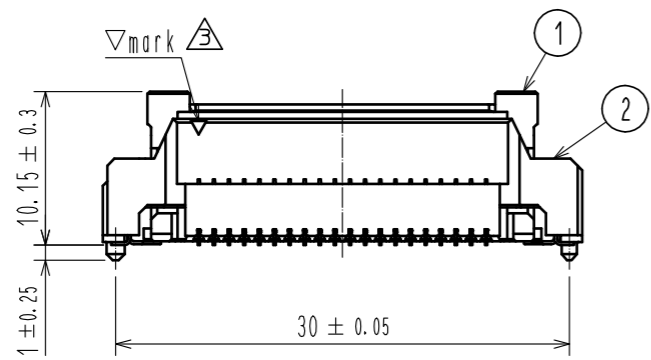
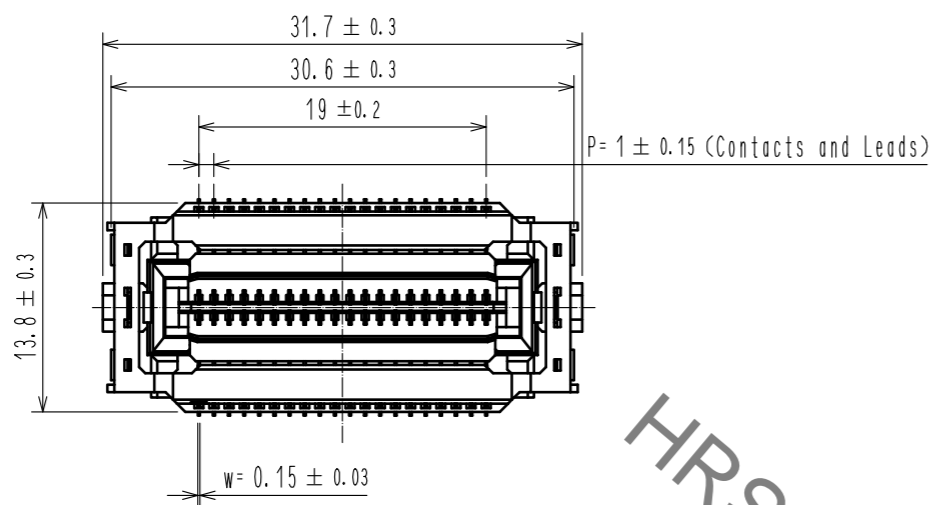


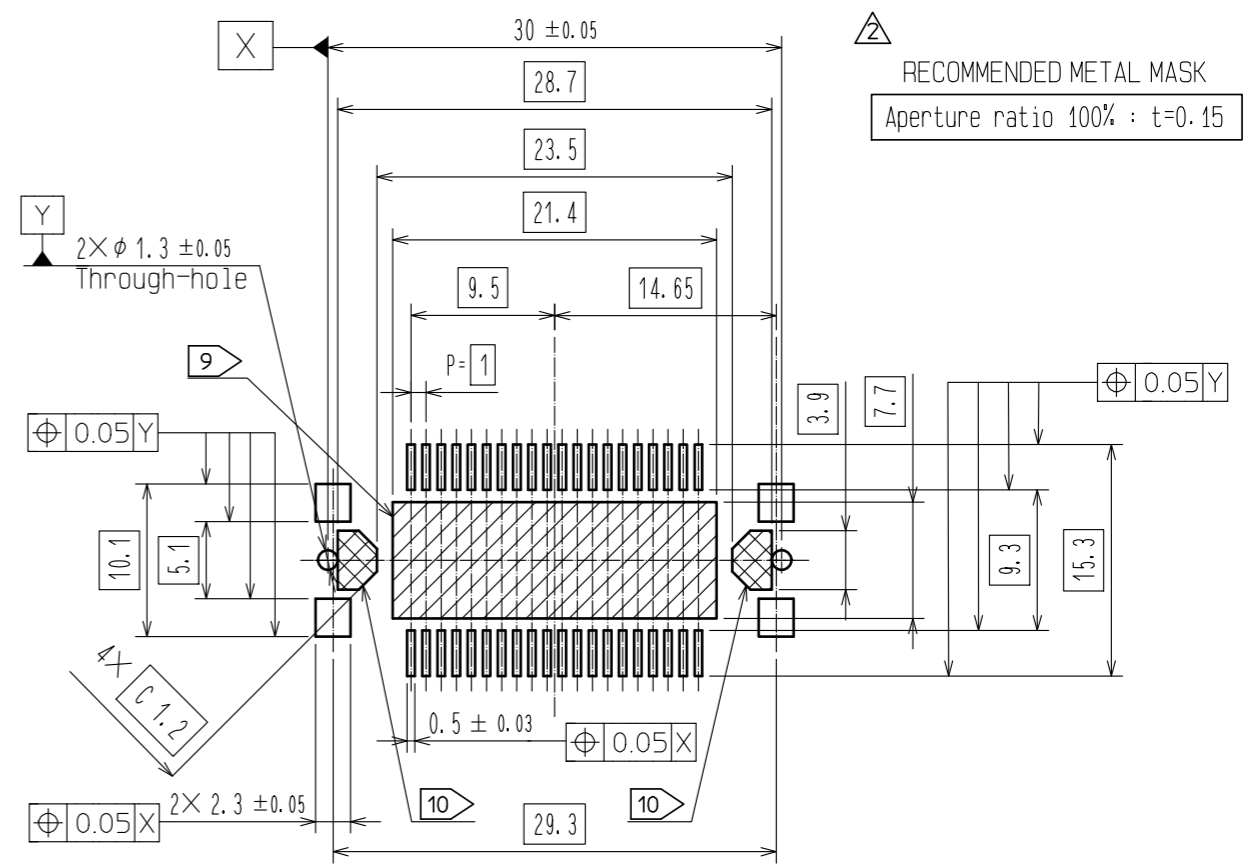
Oct.1.2020 Copyright 2020 HIROSE ELECTRIC CO., LTD. All Rights Reserved.
In case of consideration for using Automotive equipment / device which demand high reliability, kindly contact our sales window correspondents.

RECOMMENDED LAND PATTERN DIMENSION OF PCB



Bottom shape change of ②Housing

HRS DRAWING FOR REFERENCE



RECOMMENDED METAL MASK
Aperture ratio 100% : t=0.15

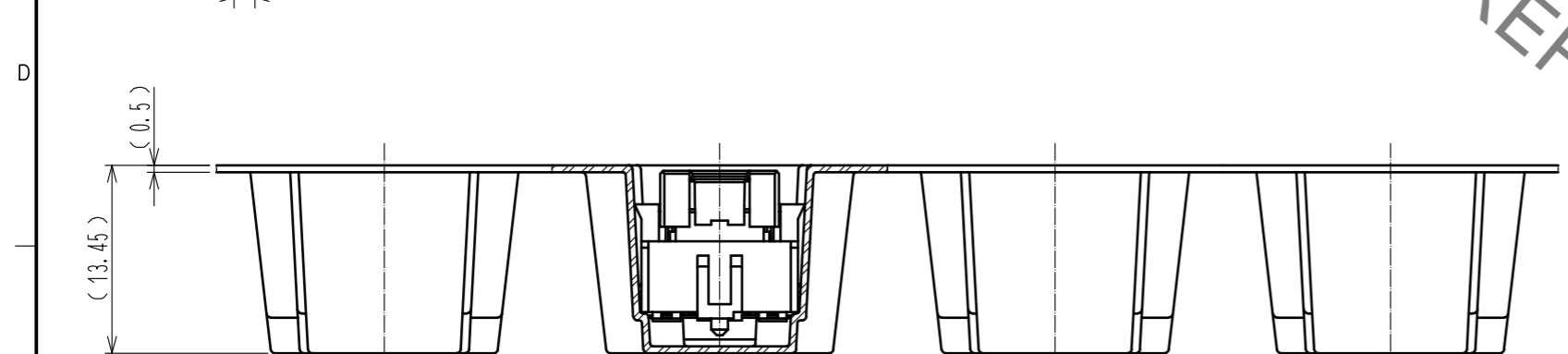
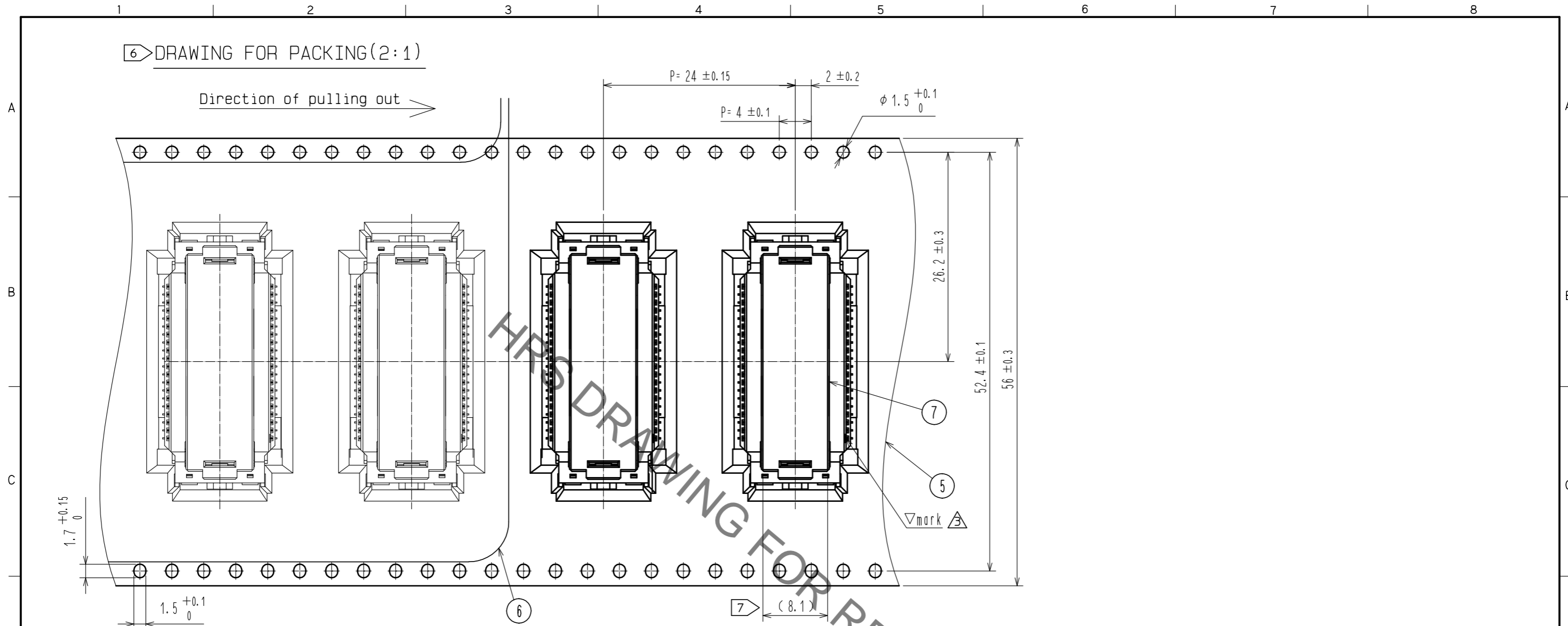
- Note
- Lead CO-Planarity is 0.1mm MAX.
 - Floating range of this connector is ±0.7mm MAX.
The maximum cycle time of the floating operation is in accordance with the mating cycle of the connector.
 - Please use the connectors within the specified PCB distance.
Please refer to the drawings of mating connector.
 - Blemish and hit mark can be occurred through out the manufacturing process which doesn't affect quality level.
 - The dimensions in parentheses are for references.
 - This is packaged in embossed carrier tape. (250pcs/RL)
 - It shows the vacuum pickup area. Remove the pickup cap before mating connectors.
 - This connector has no polarity with the mating connector.
 - Arrangement of via-hole is prohibited in area.
 - Arrangement of pattern and via-hole are prohibited in area.

7	POLYAMIDE	(CAP FOR VACUUM PICKUP)
6	POLYESTER	(EMBOSSED COVER TAPE)
5	POLYSTYRENE	(EMBOSSED CARRIER TAPE)
4	PHOSPHOR BRONZE	OVER PLATING : TIN-PLATING 1μm UNDER PLATING-NICKEL 0.5μm
3	COPPER ALLOY	CONTACT AREA : GOLD 0.1μm LEAD AREA : GOLD 0.03μm UNDER PLATING-NICKEL 1μm

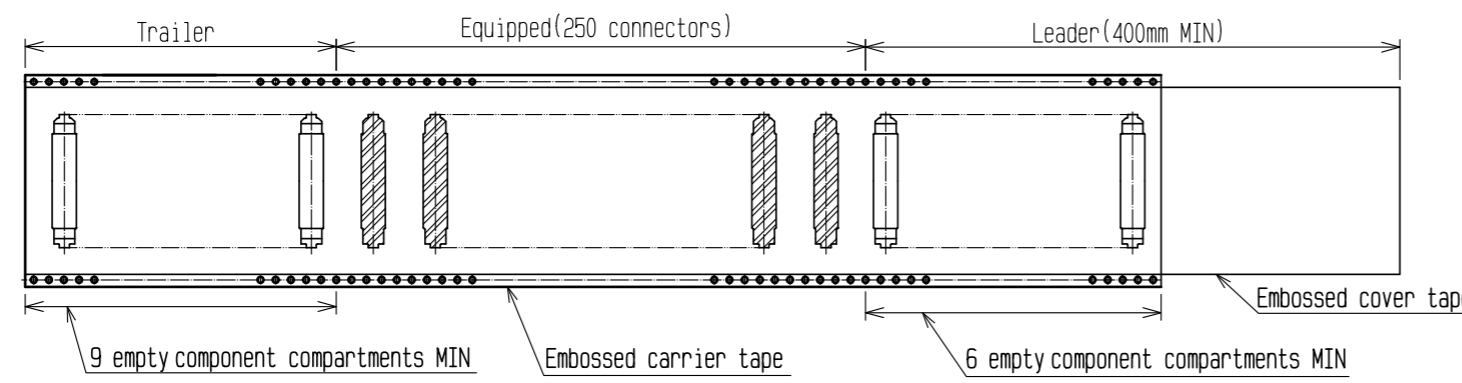
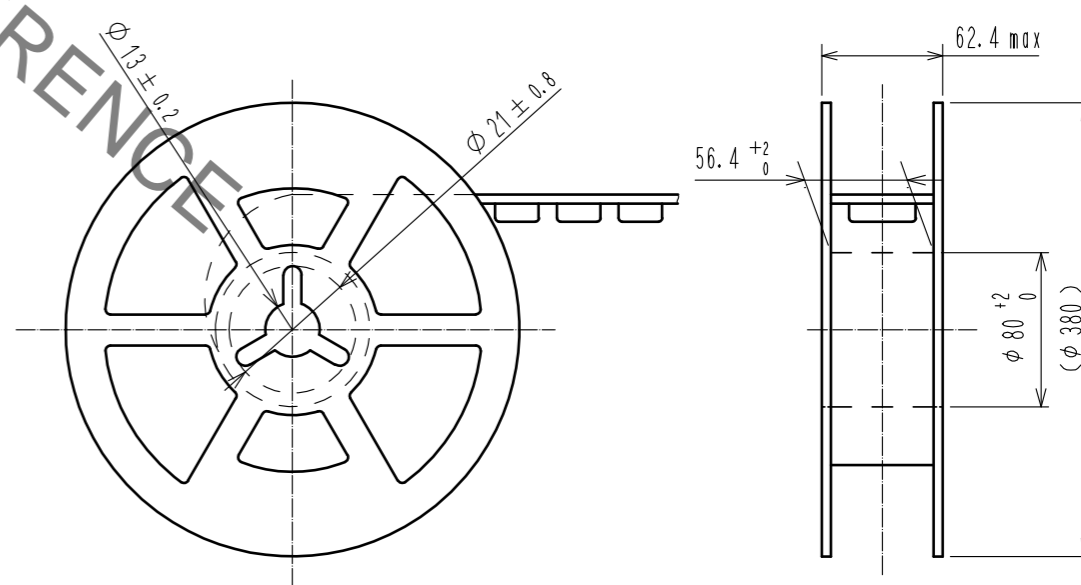
1, 2	POLYAMIDE	BLACK UL94V-0	NO.	MATERIAL	FINISH .	REMARKS	NO.	MATERIAL	FINISH .	REMARKS		
UNITS	mm	SCALE	2 : 1	COUNT	2	DESCRIPTION OF REVISIONS	DESIGNED	KI. YAMAZAKI	CHECKED	KN. SHIBUYA	DATE	20200831
APPROVED		: HH. SHINDO		20190902		DRAWING NO.		EDC-376629-00-00				
CHECKED		: KN. SHIBUYA		20190902		PART NO.		FX26-40P-1SV				
DESIGNED		: TK. ABE		20190902		CODE NO.		CL576-1004-0-00				
DRAWN		: KI. YAMAZAKI		20190902								

Oct.1.2020 Copyright 2020 HIROSE ELECTRIC CO., LTD. All Rights Reserved.
 In case of consideration for using Automotive equipment / device which demand high reliability, kindly contact our sales window correspondents.

6 DRAWING FOR PACKING(2:1)



REEL DIMENSION(No scale)



HRS	DRAWING NO.	EDC-376629-00-00	$\frac{3}{2}$
	PART NO.	FX26-40P-1SV	
	CODE NO.	CL576-1004-0-00	