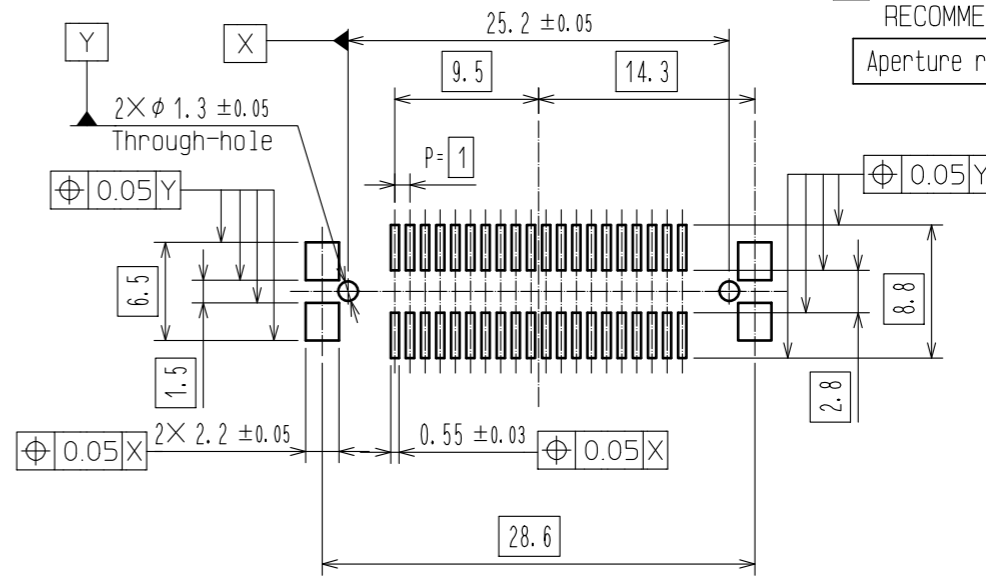
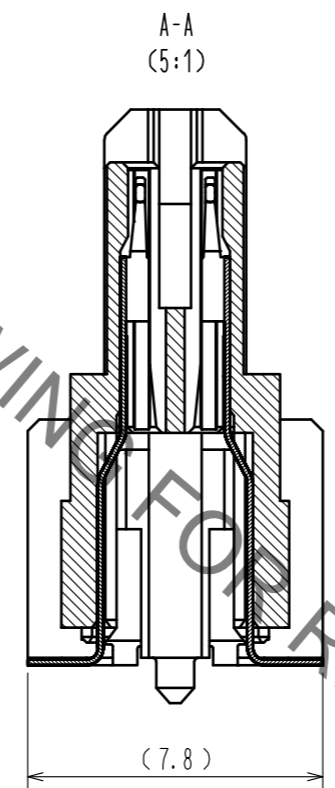
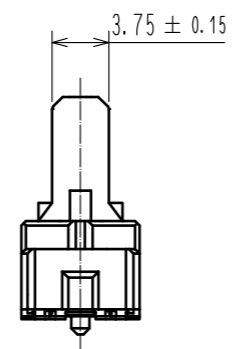
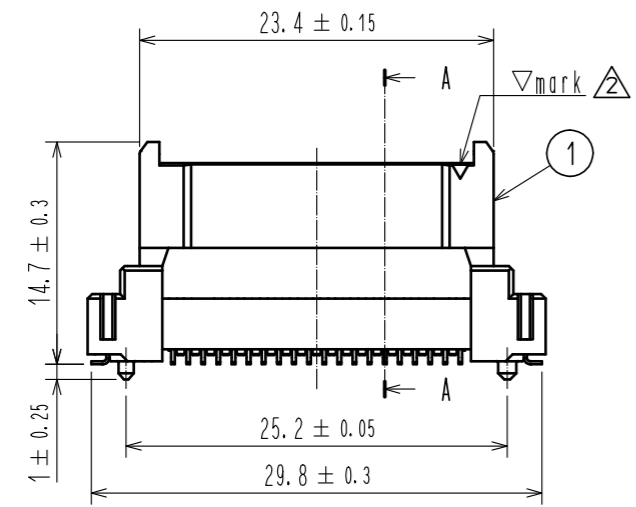
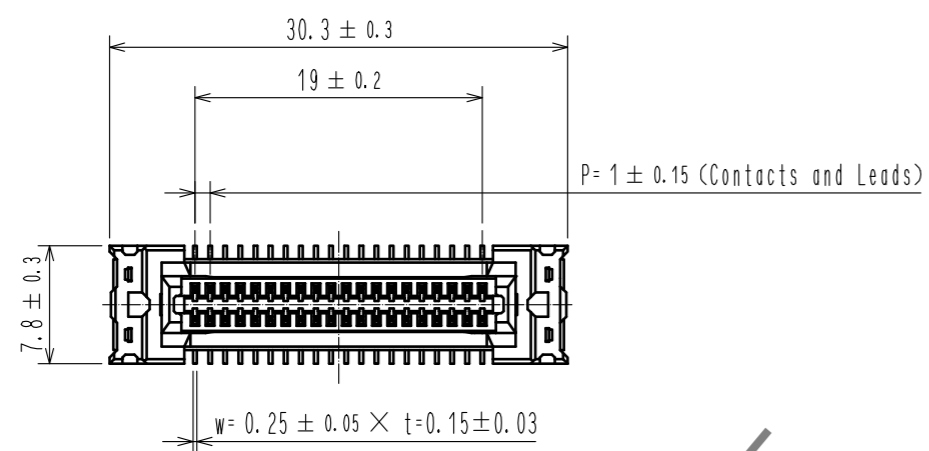


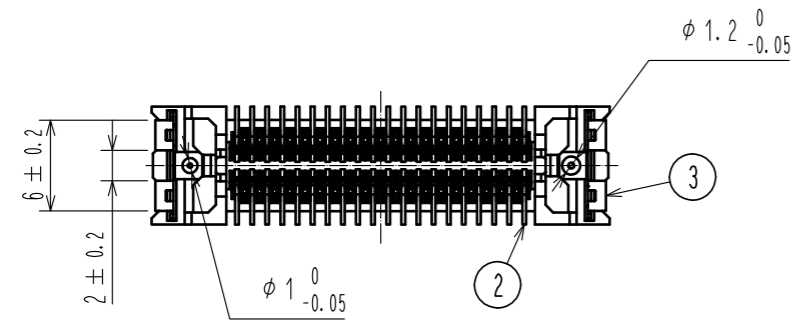
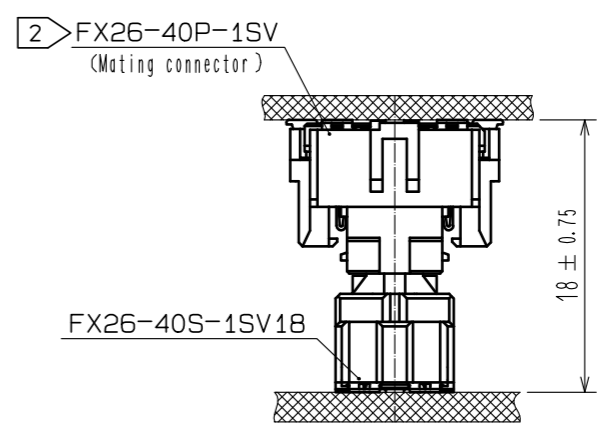
Oct.1.2020 Copyright 2020 HIROSE ELECTRIC CO., LTD. All Rights Reserved.  
In case of consideration for using Automotive equipment / device which demand high reliability, kindly contact our sales window correspondents.

RECOMMENDED LAND PATTERN DIMENSION OF PCB



RECOMMENDED METAL MASK  
Aperture ratio 100% : t=0.15

PCB DISTANCE



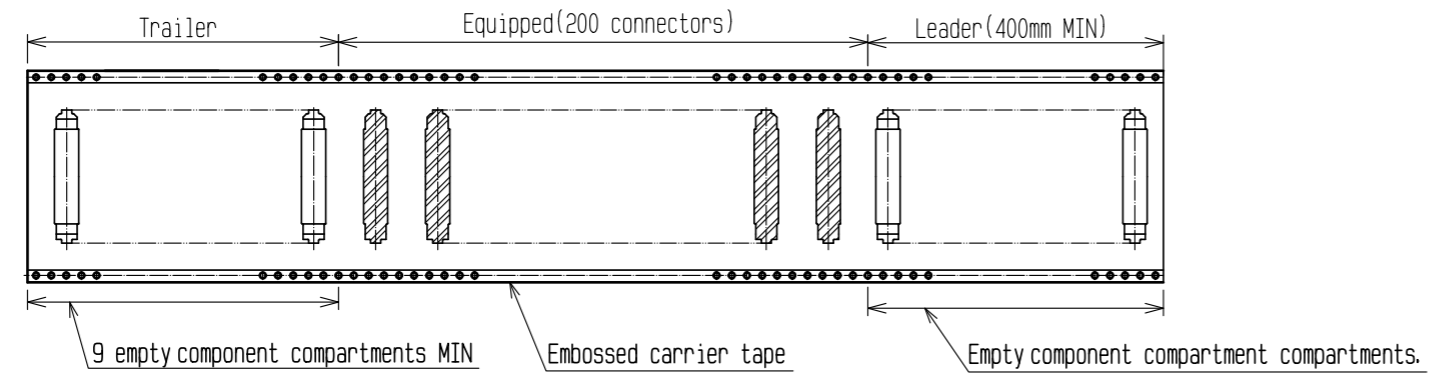
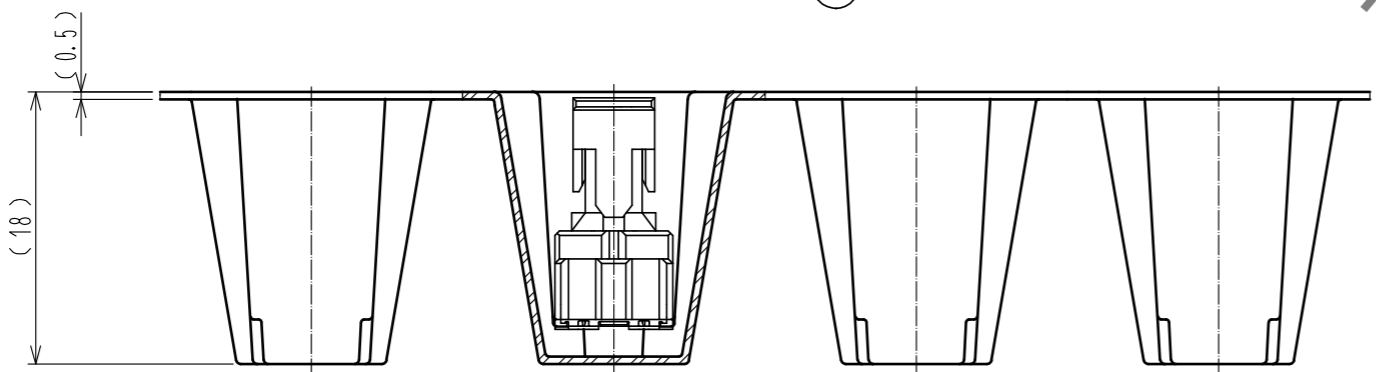
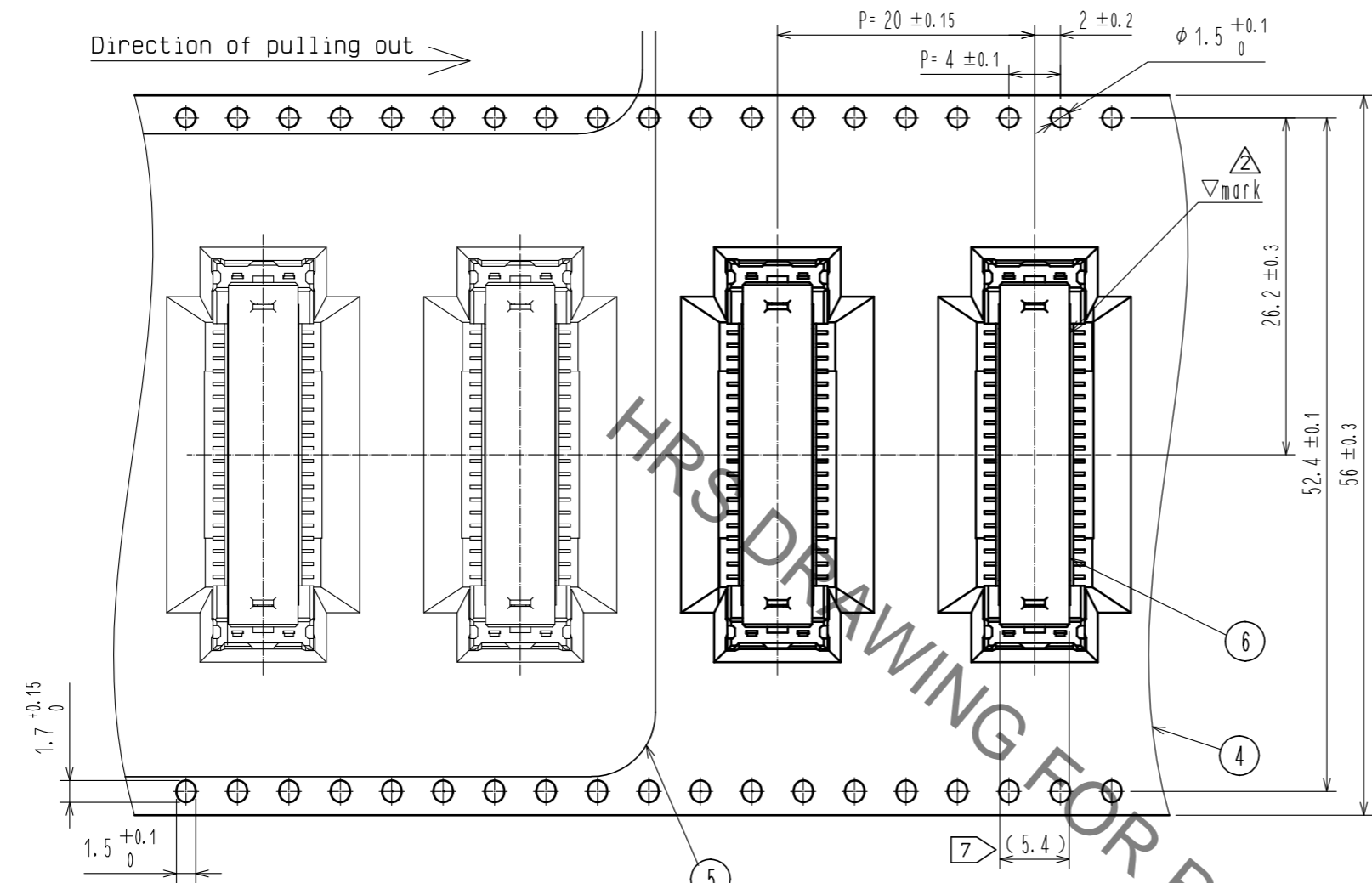
- Note
- 1 Lead CO-Planarity is 0.1mm MAX.
  - 2 Floating range of the mating connector is ±0.7mm MAX. The maximum cycle time of the floating operation is in accordance with the mating cycle of the connector.
  - 3 in accordance with the mating cycle of the connector. Please use the connectors within the specified PCB distance.
  - 4 Blemish and hit mark can be occurred through out the manufacturing process which doesn't affect quality level.
  - 5 The dimensions in parentheses are for references.
  - 6 This is packaged in embossed carrier tape. (200pcs/RL)
  - 7 It shows the vacuum pickup area. Remove the pickup cap before mating connectors.
  - 8 This connector has no polarity with the mating connector.

6	POLYAMIDE	( CAP FOR VACUUM PICKUP)
5	POLYESTER	( EMBOSSED COVER TAPE)
4	POLYSTYRENE	( EMBOSSED CARRIER TAPE)
3	PHOSPHOR BRONZE	OVER PLATING : TIN-PLATING 1 μm
		UNDER PLATING : NICKEL 0.5 μm
2	COPPER ALLOY	CONTACT AREA : GOLD 0.1 μm
		LEAD AREA : GOLD 0.03 μm
		UNDER PLATING : NICKEL 1 μm

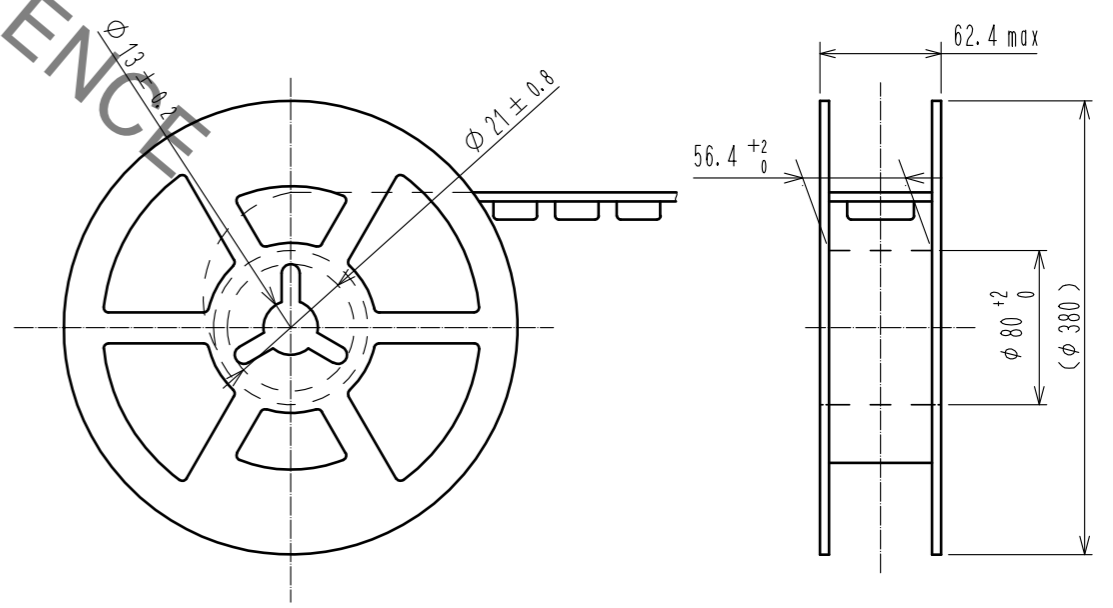
1	POLYAMIDE	BLACK UL94V-0					
NO.	MATERIAL	FINISH .	REMARKS	NO.	MATERIAL	FINISH .	REMARKS
UNITS	mm	SCALE	2 : 1	COUNT	2	DESCRIPTION OF REVISIONS	DESIGNED
						DIS-F-00006551	KN. YAMAZAKI
							CHECKED
							KN. SHIBUYA
							DATE
							20200831
APPROVED : HH. SHINDO		20190902		DRAWING NO.		EDC-386634-00-00	
CHECKED : KN. SHIBUYA		20190902		PART NO.		FX26-40S-1SV18	
DESIGNED : TK. ABE		20190902		CODE NO.		CL576-1404-0-00	
DRAWN : KI. YAMAZAKI		20190902					

Oct.1.2020 Copyright 2020 HIROSE ELECTRIC CO., LTD. All Rights Reserved.  
 In case of consideration for using Automotive equipment / device which demand high reliability, kindly contact our sales window correspondents.

6 DRAWING FOR PACKING(2:1)



REEL DIMENSION(No scale)



<b>HRS</b>	DRAWING NO.	EDC-386634-00-00	2/2
	PART NO.	FX26-40S-1SV18	
	CODE NO.	CL576-1404-0-00	