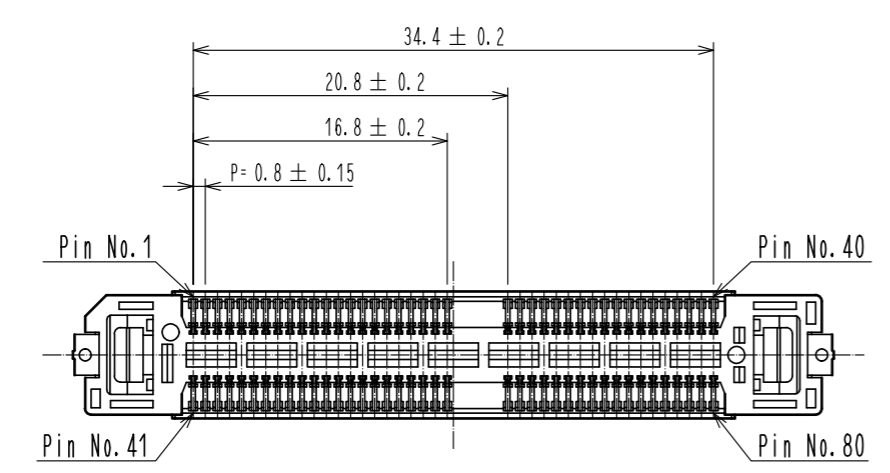
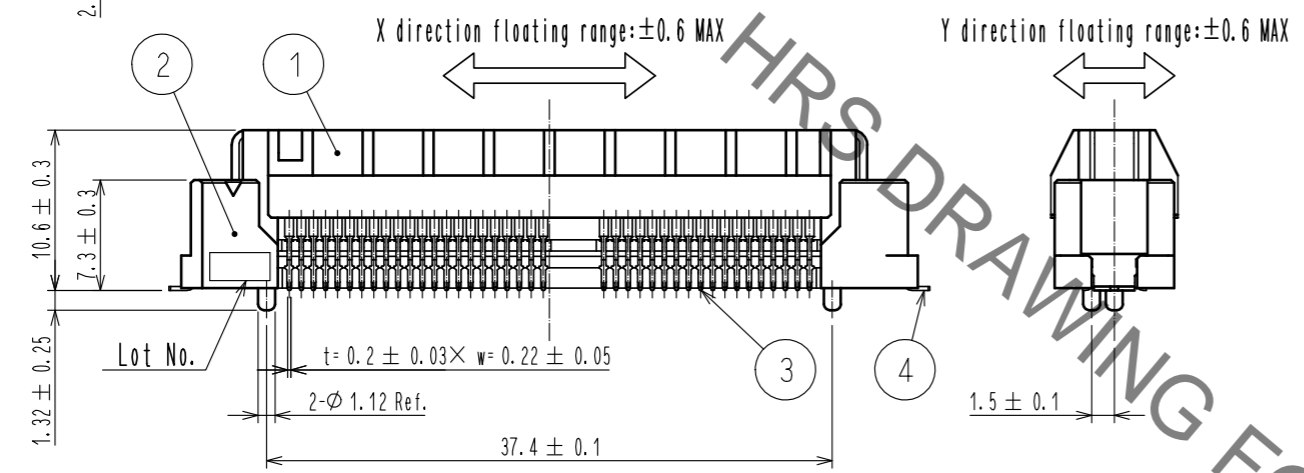
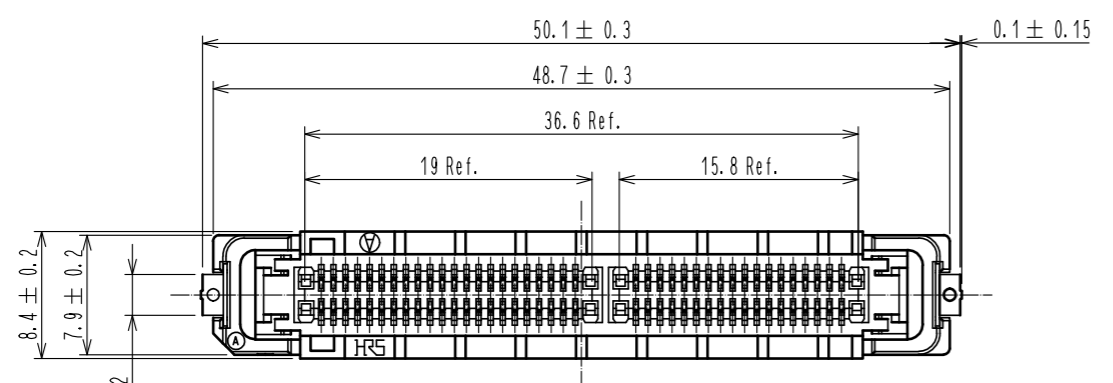
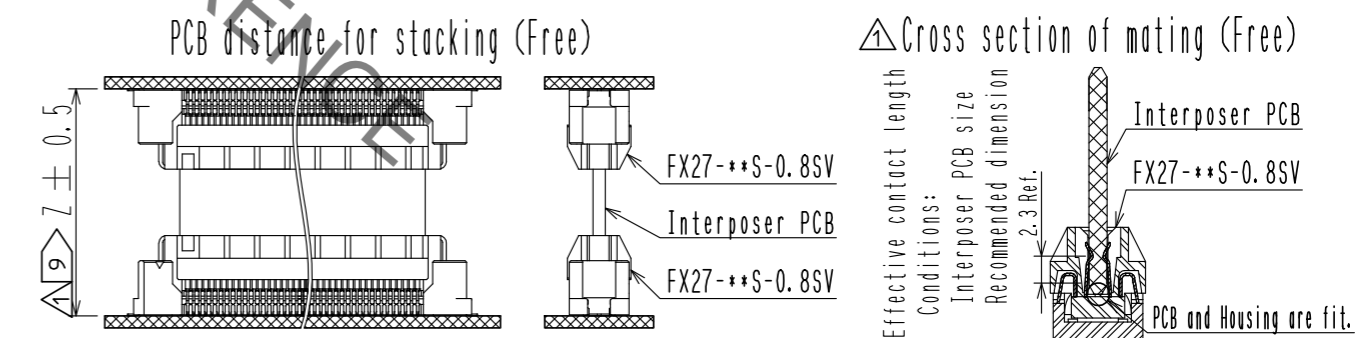
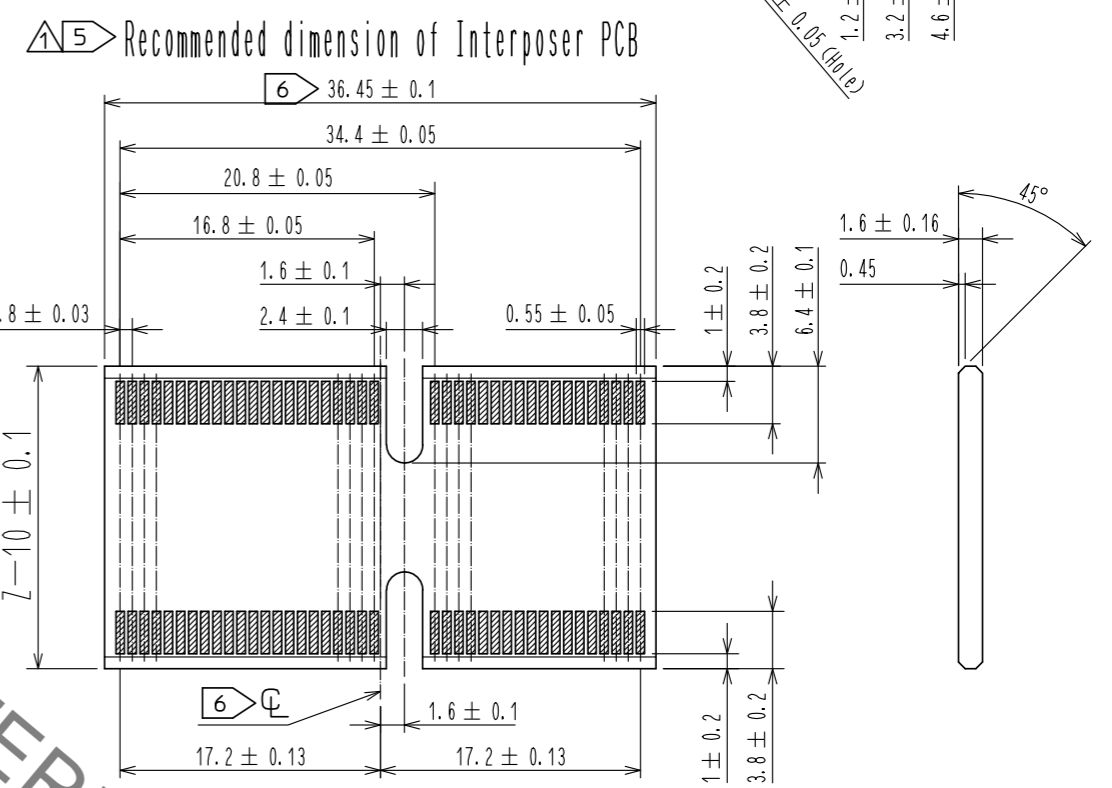
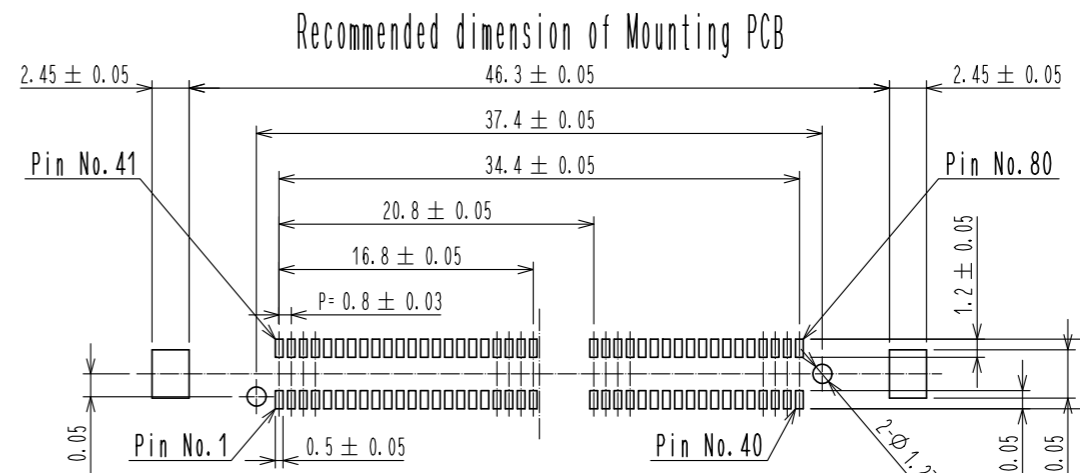


Feb.1.2020 Copyright 2020 HIROSE ELECTRIC CO., LTD. All Rights Reserved.
In case of consideration for using Automotive equipment / device which demand high reliability, kindly contact our sales window correspondents.



- Note
- Lead CO-Planarity is 0.1mm MAX.
 - Packing type : Tape and reel. 300pcs per reel.
 - It shows the vacuum pickup area. Remove the mylar tape before mating connectors.
 - Blemish and hit mark can be occurred through out the manyufwakuchuaringu process which doesn't affect quality level.
 - Recommended dimension of Interposer PCB.
 - ⌀ mark indicates the center line of outer dimension of 36.45mm.
 - Those dimensions indicate the cutout area for pre-fixing lock.
 - Hatching area of INTERPOSER PCB shows the contact area with connector. The plating is Nickel 3μmin + Gold 0.2μm to 0.4μm(Electroplating and hard plating).
- △9 Stacking Height : 22mm Min.

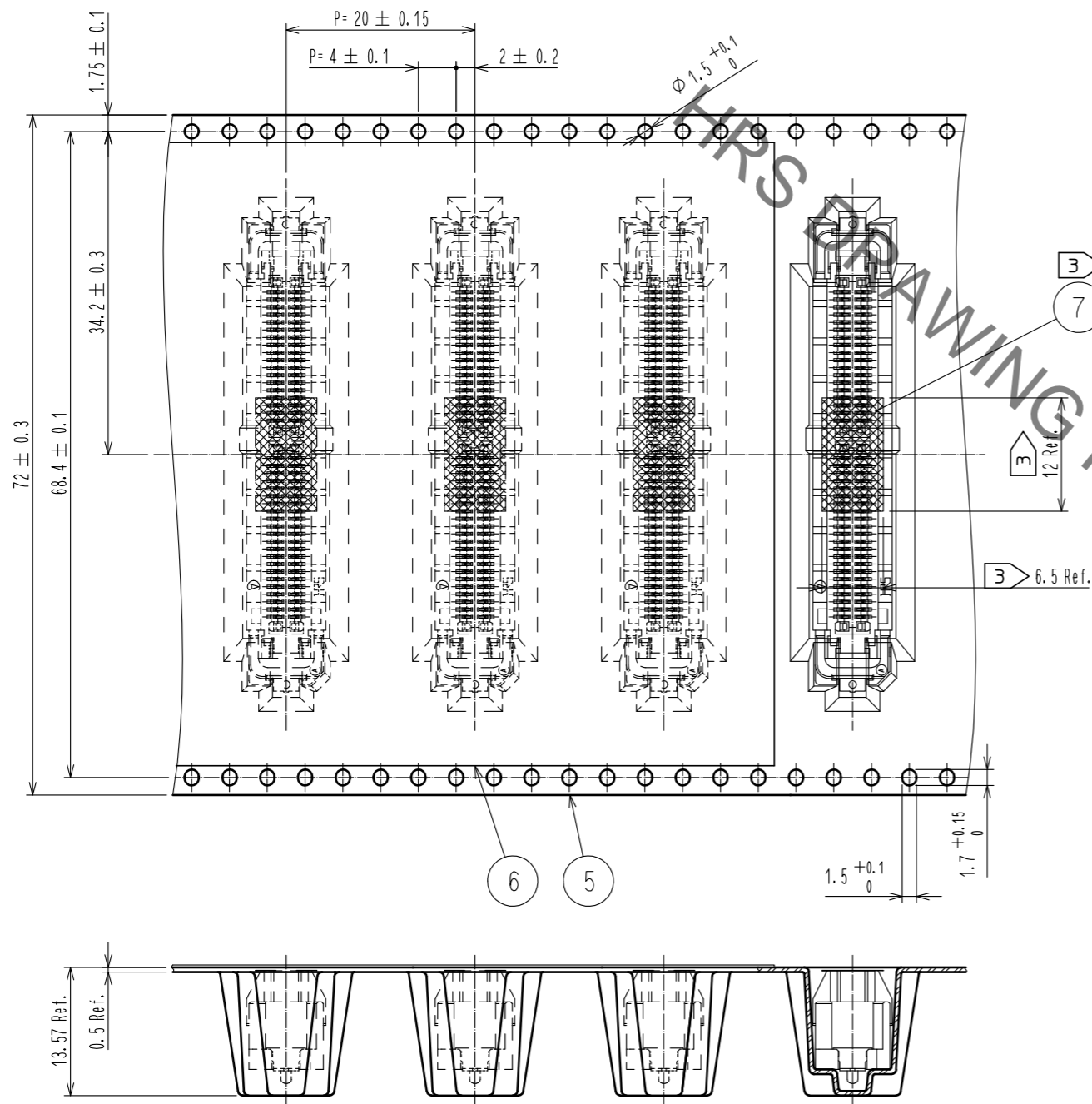


3	Copper alloy	Contact: Gold plating 0.2μm MIN Lead : Gold plating 0.03μm MIN Under :Nickel plating 1.3μm MIN	7	Polyimide	Tape for vacuum pickup
2	Polyamide	Black. UL94V-0	6	Polystyrene	Emboss cover tape
1	Polyamide	Black. UL94V-0	5	Polystyrene	Emboss carrier tape
			4	Brass	Tin reflow plating 1μm MIN
NO.	MATERIAL	FINISH . REMARKS	NO.	MATERIAL	FINISH . REMARKS
UNITS mm		SCALE 2:1	COUNT 7	DESCRIPTION OF REVISIONS	
HRS HIROSE ELECTRIC CO., LTD.		APPROVED :NH. NAKATA 20180620	DESIGNED MT. ITANO		
		CHECKED :HT. YAMAGUCHI 20180620	CHECKED HT. YAMAGUCHI		
		DESIGNED :MT. ITANO 20180619	DATE 20190826		
		DRAWN :MT. ITANO 20180619	DRAWING NO. EDC-382477-00-00		
			PART NO. FX27-80S-0.8SV		
			CODE NO. CL577-1004-0-00		

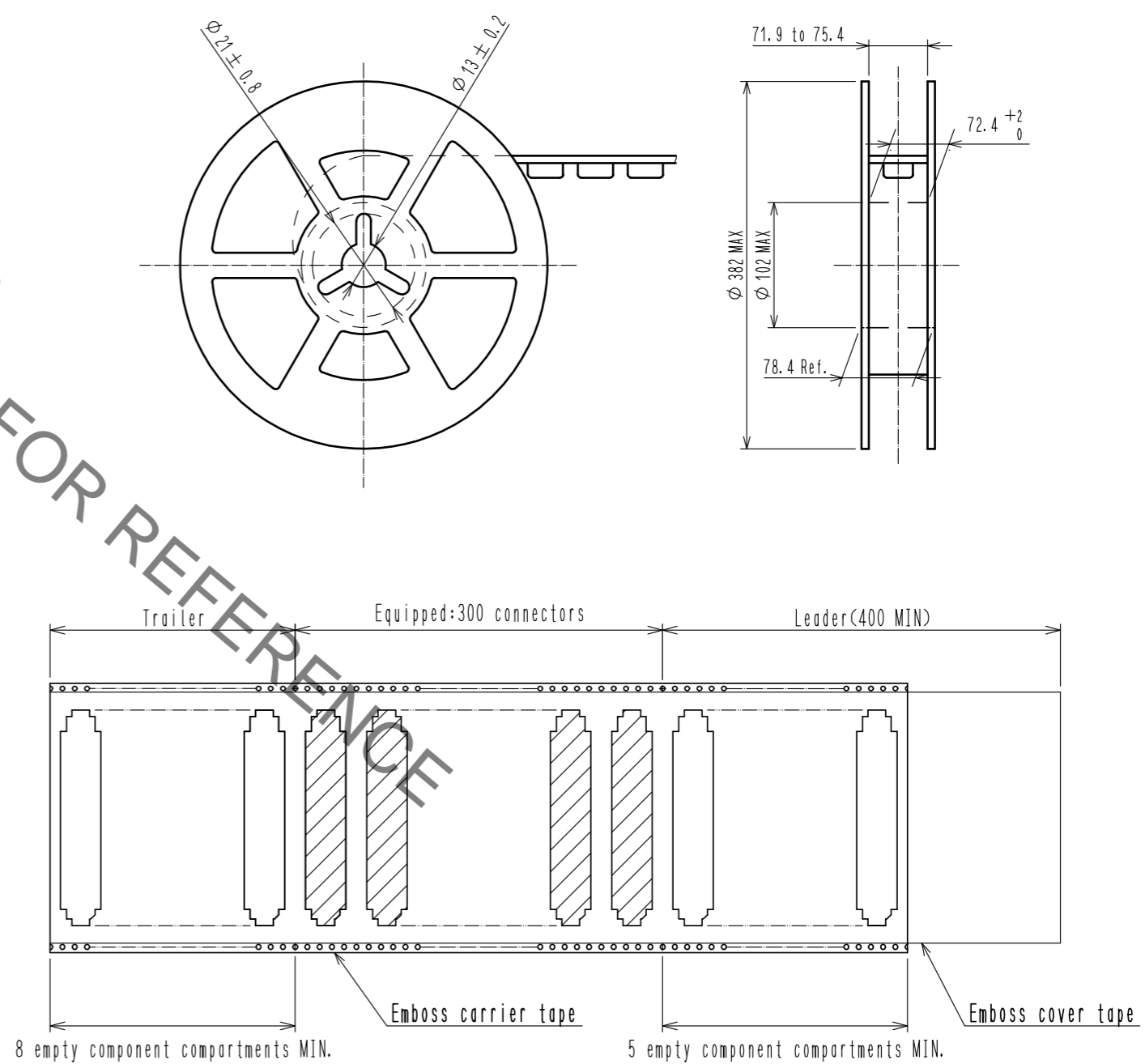
Feb.1.2020 Copyright 2020 HIROSE ELECTRIC CO., LTD. All Rights Reserved.
 In case of consideration for using Automotive equipment / device which demand high reliability, kindly contact our sales window correspondents.

2 Drawing for packing (Free)

The direction of pulling out



Reeled dimension (Free)



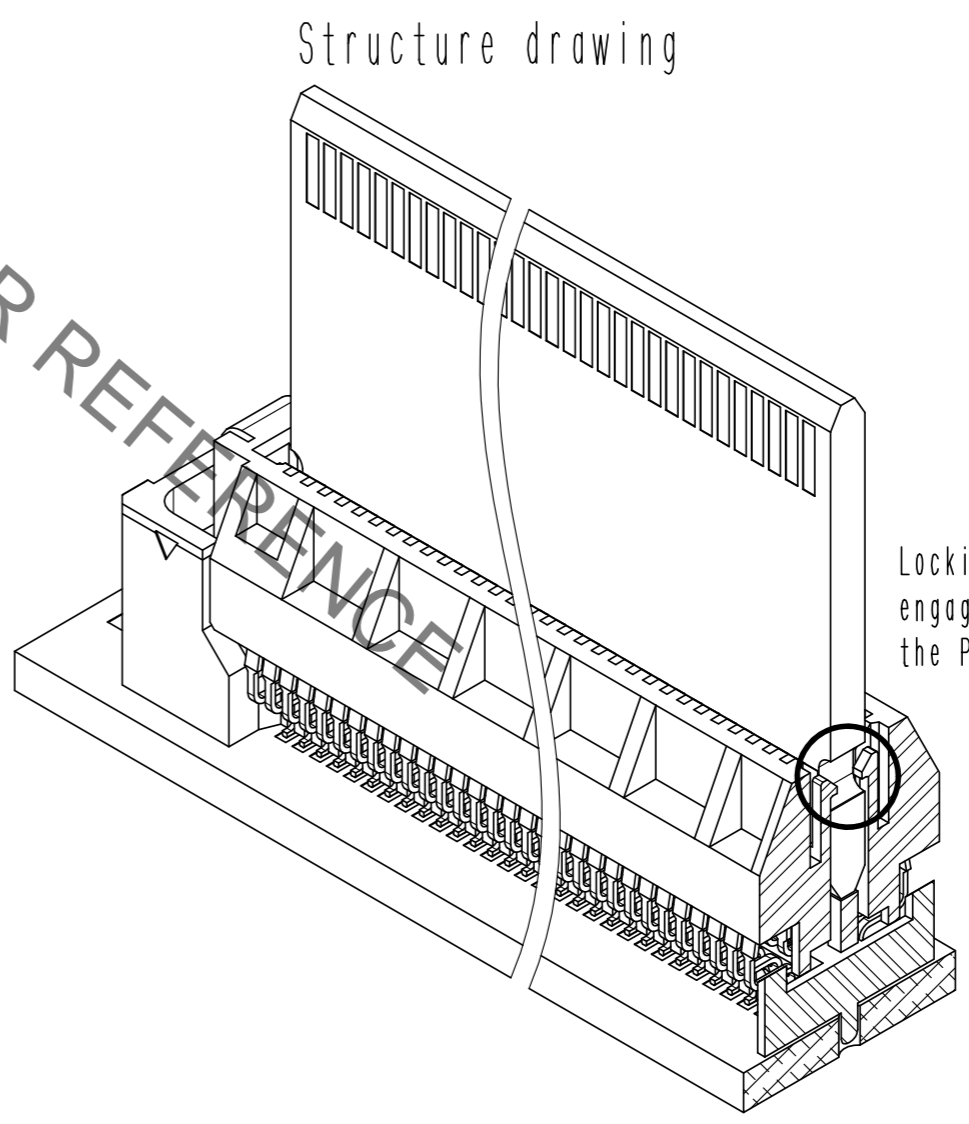
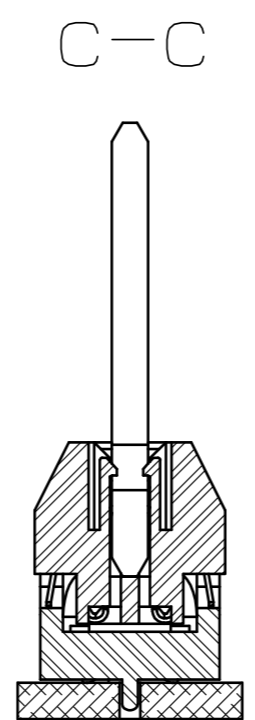
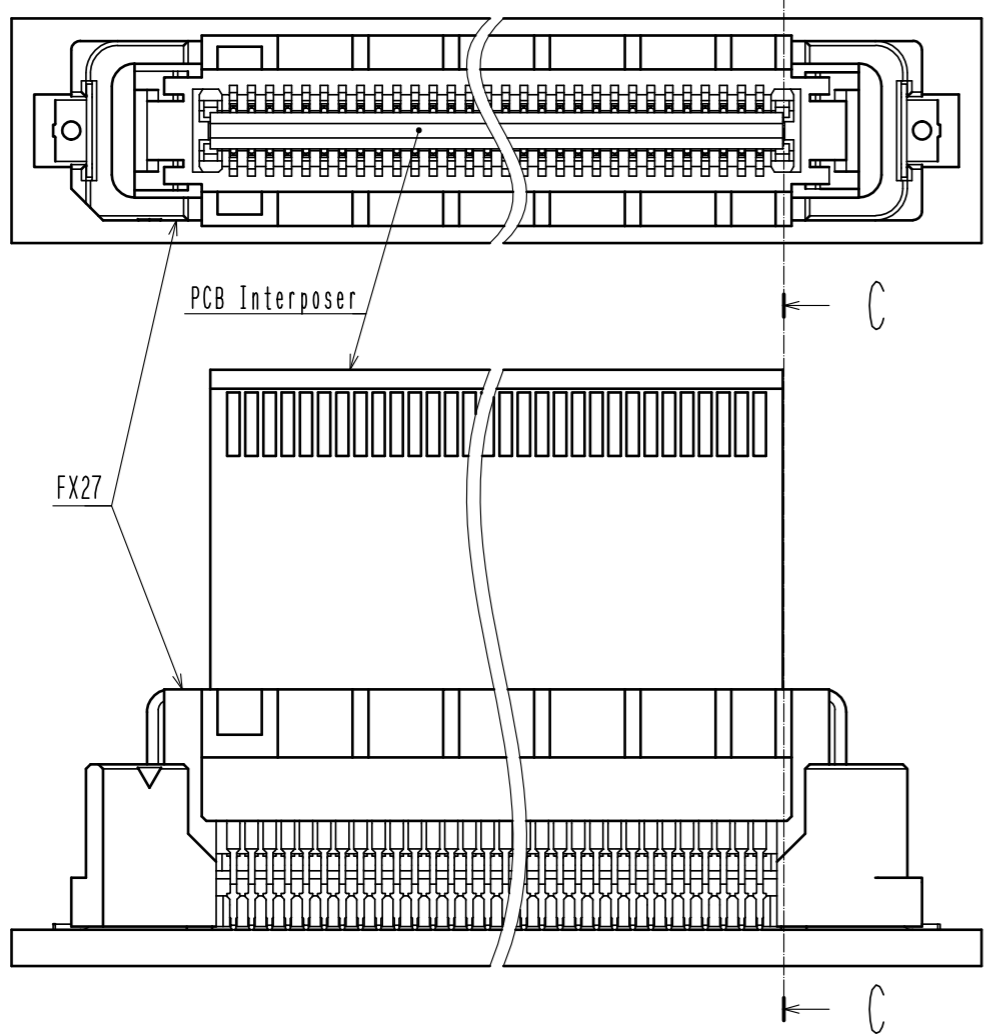
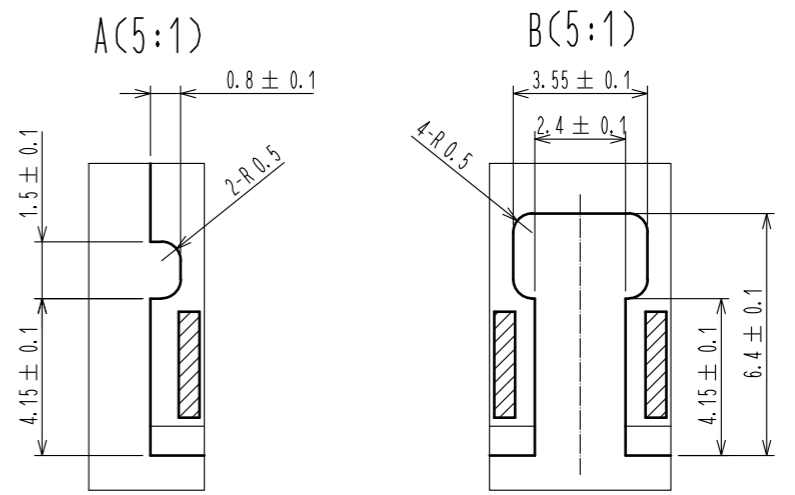
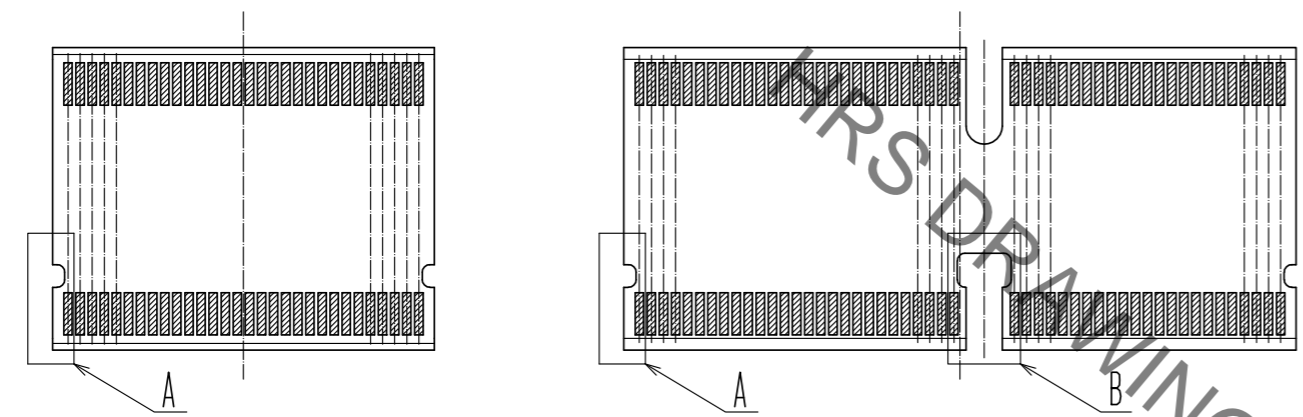
HRS	DRAWING NO.	EDC-382477-00-00	2/5
	PART NO.	FX27-80S-0.8SV	
	CODE NO.	CL577-1004-0-00	

Feb.1.2020 Copyright 2020 HIROSE ELECTRIC CO., LTD. All Rights Reserved.
 In case of consideration for using Automotive equipment / device which demand high reliability, kindly contact our sales window correspondents.

7 Simple Lock for Initial Insertion and Removal (Free)

The notches provided in the mating PCB Interposer are used to lock the connection engaged with the locking latch of the connector.

40pos., 60pos. PCB Interposer 80pos., 100pos., 120pos. PCB Interposer

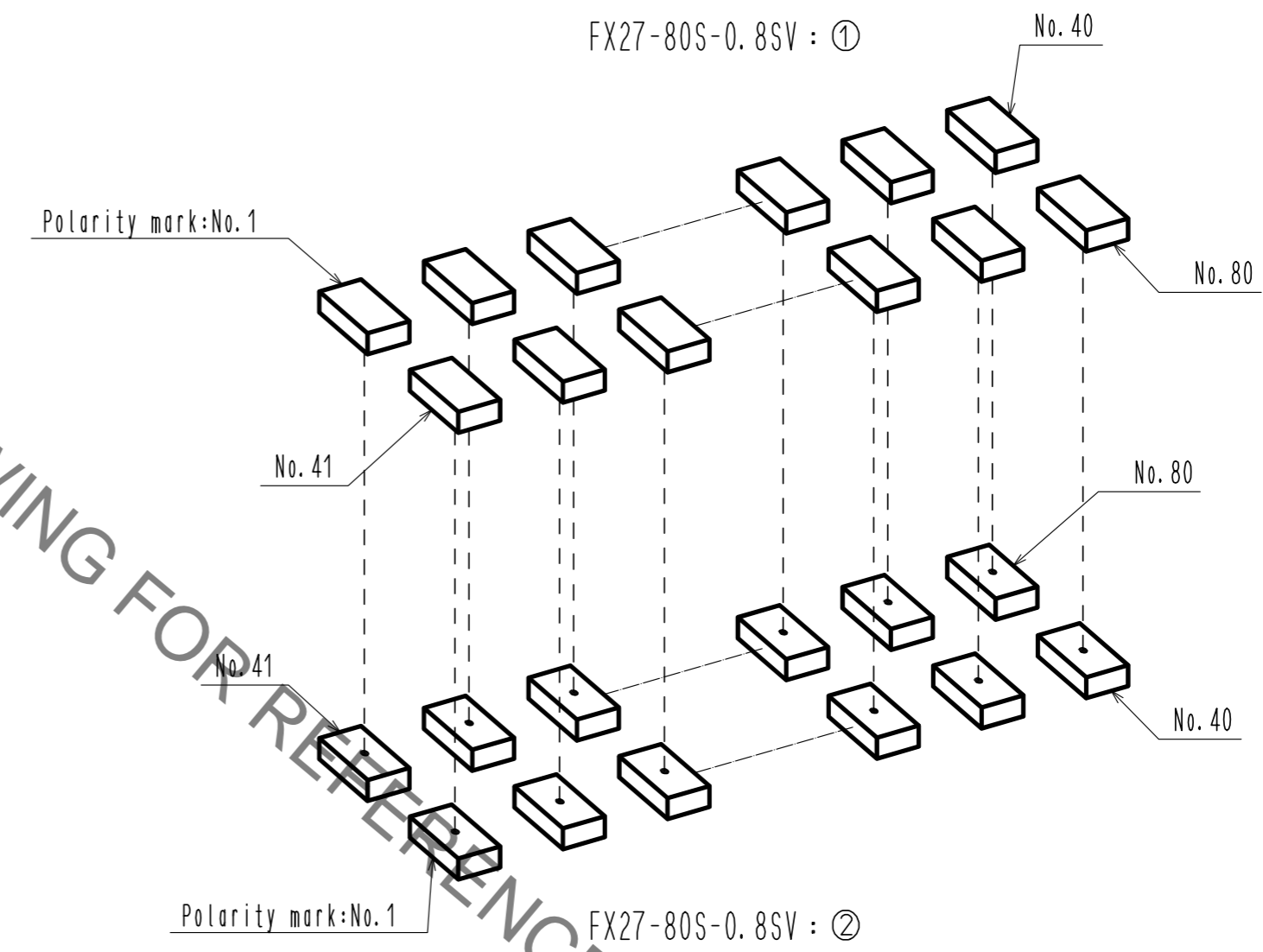
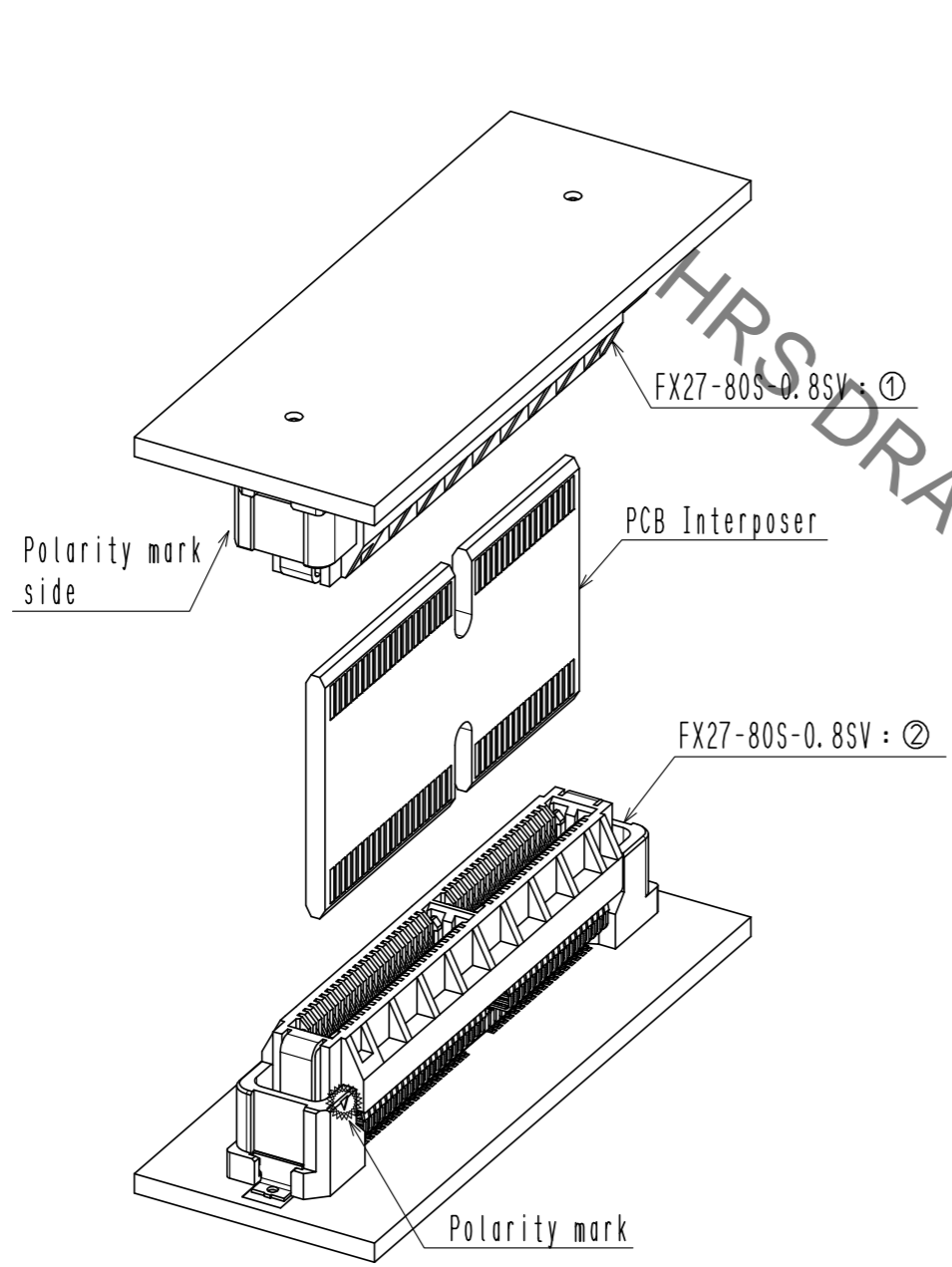


Structure drawing

Locking latch of the connector is engaged with the notch of the PCB Interposer.

HRS	DRAWING NO.	EDC-382477-00-00	3/5
	PART NO.	FX27-80S-0.8SV	
	CODE NO.	CL577-1004-0-00	

△ Pin Assignment



When the connector is used as shown in the sketch to the above, the polarity mark of FX27-80S-0.8SV of ① and ② are reversed. Attention should be paid to the pin assignment of the circuits on the board.

Feb.1.2020 Copyright 2020 HIROSE ELECTRIC CO., LTD. All Rights Reserved. In case of consideration for using Automotive equipment / device which demand high reliability, kindly contact our sales window correspondents.

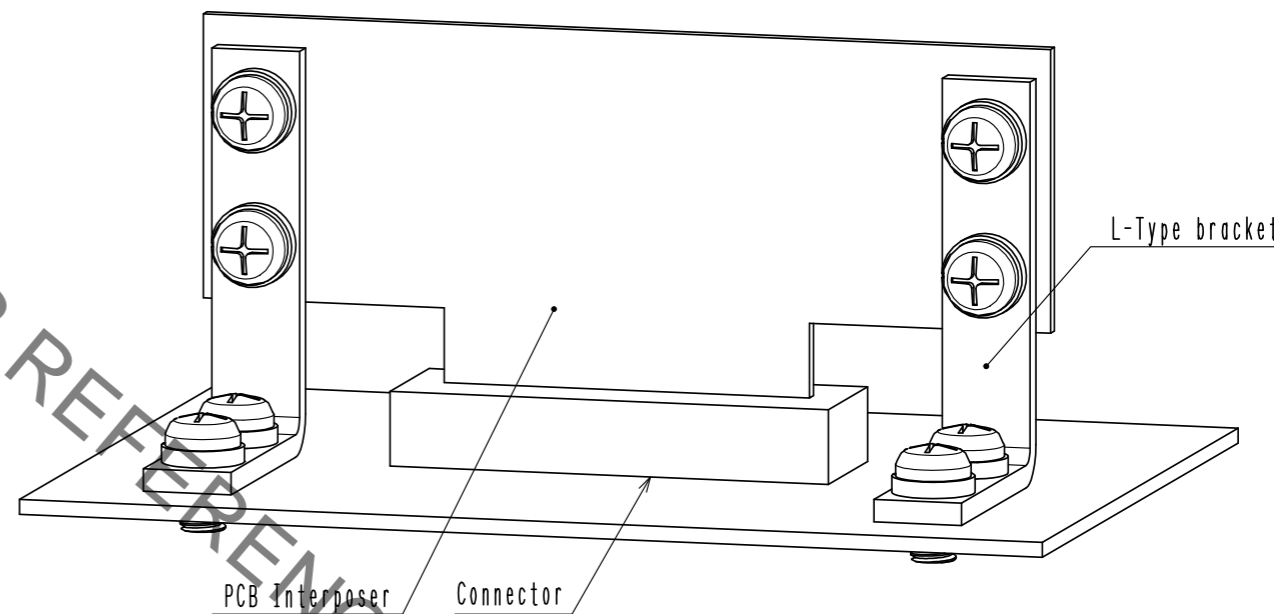
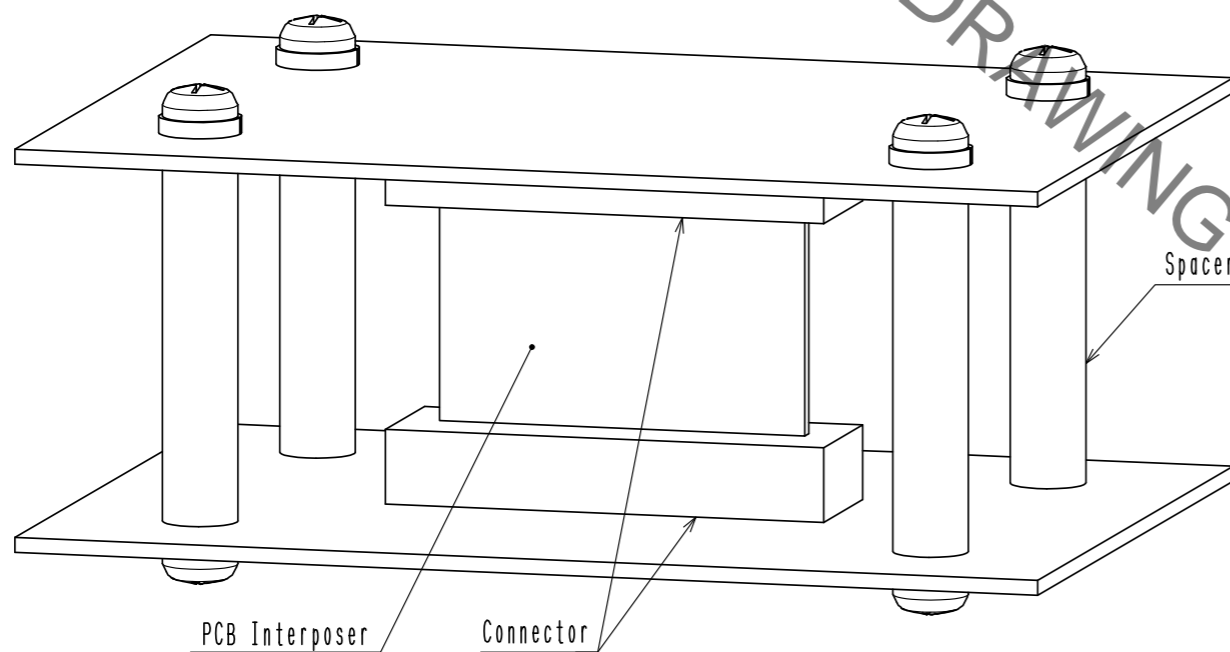
HRS	DRAWING NO.	EDC-382477-00-00
	PART NO.	FX27-80S-0.8SV
	CODE NO.	CL577-1004-0-00
		△ 4/5

Feb.1.2020 Copyright 2020 HIROSE ELECTRIC CO., LTD. All Rights Reserved.
In case of consideration for using Automotive equipment / device which demand high reliability, kindly contact our sales window correspondents.

△ PCB supports

This connector can absorb misalignment of PCB but cannot absorb vibration itself.
When PCB are supported by a connector only, the connector will be loaded excessively,
which may result in a damage or contact failure.
Take measures to secure PCB with an object other than connector as shown in the following figure.

If the spacer is installed away from the connector, the PCB may bend and the connector may not be securely mated.
Fit the spacer after the connector securely mated.



HRS	DRAWING NO.	EDC-382477-00-00
	PART NO.	FX27-80S-0.8SV
	CODE NO.	CL577-1004-0-00
		△ 5/5