

Fig. 1 Recommended spacer height (Free)

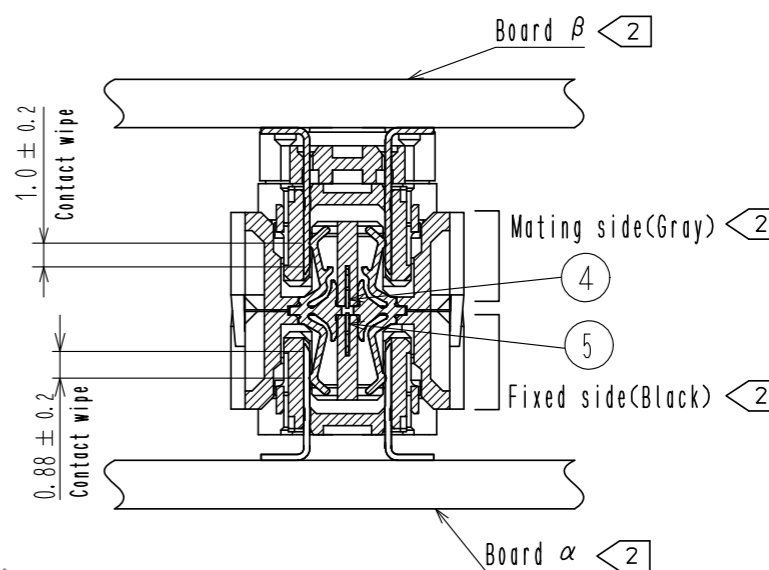


Fig. 2 Mating cross section (Free)

Table.1 Stacking height and connector combinations ◁ 1

Board distance (Stacking height)	Header connector of Board α	Interposer	Header connector of Board β	Recommended spacer height(L) ◁ 3
11mm	FX10A-120P-SV1(**)	FX10-120IP-36Q-8PH(03)	FX10A-120P-SV2(**)	11±0.127mm
12mm	FX10A-120P-SV1(**)		FX10A-120P-SV3(**)	12±0.127mm
13mm	FX10A-120P-SV1(**)		FX10A-120P-SV4(**)	13±0.127mm

Table.2 Pin configuration of Interposer ◁ 4

Row A Pin No.	1	2	3	4	5	6	7	8	9	10	11	12	13	14	15	16	17	18	19	20	21	22	23	24	25	26	27	28	29	30	31	32	33	34	35	36	37	38	39	40	41	42	43	44	45	46	47	48	49	50	51	52	53	54	55	56	57	58	59	60
Pin configuration	G1	S	S	G1	S	S	G1	S	S	G1	S	S	G1	S	S	G1	S	S	G1	S	S	G1	S	S	G1	S	S	G1	SE	SE	SE	SE	G2	S	S	G2	S	S	G2	S	S	G2	S	S	G2	S	S	G2	S	S	G2	S	S	G2	S	S	G2	S	S	G2
Row B Pin No.	1	2	3	4	5	6	7	8	9	10	11	12	13	14	15	16	17	18	19	20	21	22	23	24	25	26	27	28	29	30	31	32	33	34	35	36	37	38	39	40	41	42	43	44	45	46	47	48	49	50	51	52	53	54	55	56	57	58	59	60
Pin configuration	G1	S	S	G1	S	S	G1	S	S	G1	S	S	G1	S	S	G1	S	S	G1	S	S	G1	S	S	G1	S	S	G1	SE	SE	SE	SE	G2	S	S	G2	S	S	G2	S	S	G2	S	S	G2	S	S	G2	S	S	G2	S	S	G2						

S: Signal for Differential SE: Signal for Single-ended G1: Common ground 1 G2: Common ground 2

- ◁ 1 The header connectors are decided by board distance (stacking height). Connector combination is shown in Table 1.
- ◁ 2 Fixed side (Black side) of interposer should be mated with header mounted on board α. Mating side (Gray side) should be mated with header mounted on board β.
- ◁ 3 Spacers are required to support the PWB's and protect the SMT solder joints. Recommended spacer height is shown in Table 1.
- ◁ 4 Pin configuration is shown in Table 2. This product consists of 36 Differential pairs, 8 Single-ended lines and 40 ground lines.
- ◁ 5 Lot No. shall be marked on the indicated position.
- ◁ 6 50pcs of this product are packed in soft tray. See Fig.3 for details.

NO.	MATERIAL	FINISH	REMARKS	NO.	MATERIAL	FINISH	REMARKS	
3	Copper Alloy	Ni1.5μm+Au0.76μm		6	PS		(Tray)	
2	LCP(Black)	UL94V-0		5	Copper Alloy	Ni1μm		
1	LCP(Gray)	UL94V-0		4	Copper Alloy	Ni1μm		
UNITS mm		SCALE 2:1	COUNT	DESCRIPTION OF REVISIONS		DESIGNED	CHECKED	DATE
APPROVED : TM. MATSUO		17. 07. 19	DRAWING NO. EDC-361676-03-00 PART NO. FX10-120IP-36Q-8PH(03) CODE NO. CL608-0016-0-03	DRAWN : XINGYU CHENG		17. 07. 14	DATE	
CHECKED : MK. EZAKI		17. 07. 14		DESIGNED : AS. MATSUZAWA		17. 07. 14	DATE	
DRAWN : XINGYU CHENG		17. 07. 14		DESIGNED : AS. MATSUZAWA		17. 07. 14	DATE	
APPROVED : TM. MATSUO		17. 07. 19		DRAWN : XINGYU CHENG		17. 07. 14	DATE	

Mar.1.2020 Copyright 2020 HIROSE ELECTRIC CO., LTD. All Rights Reserved.
 In case of consideration for using Automotive equipment / device which demand high reliability, kindly contact our sales window correspondents.

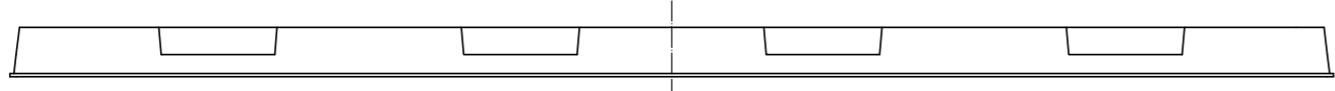
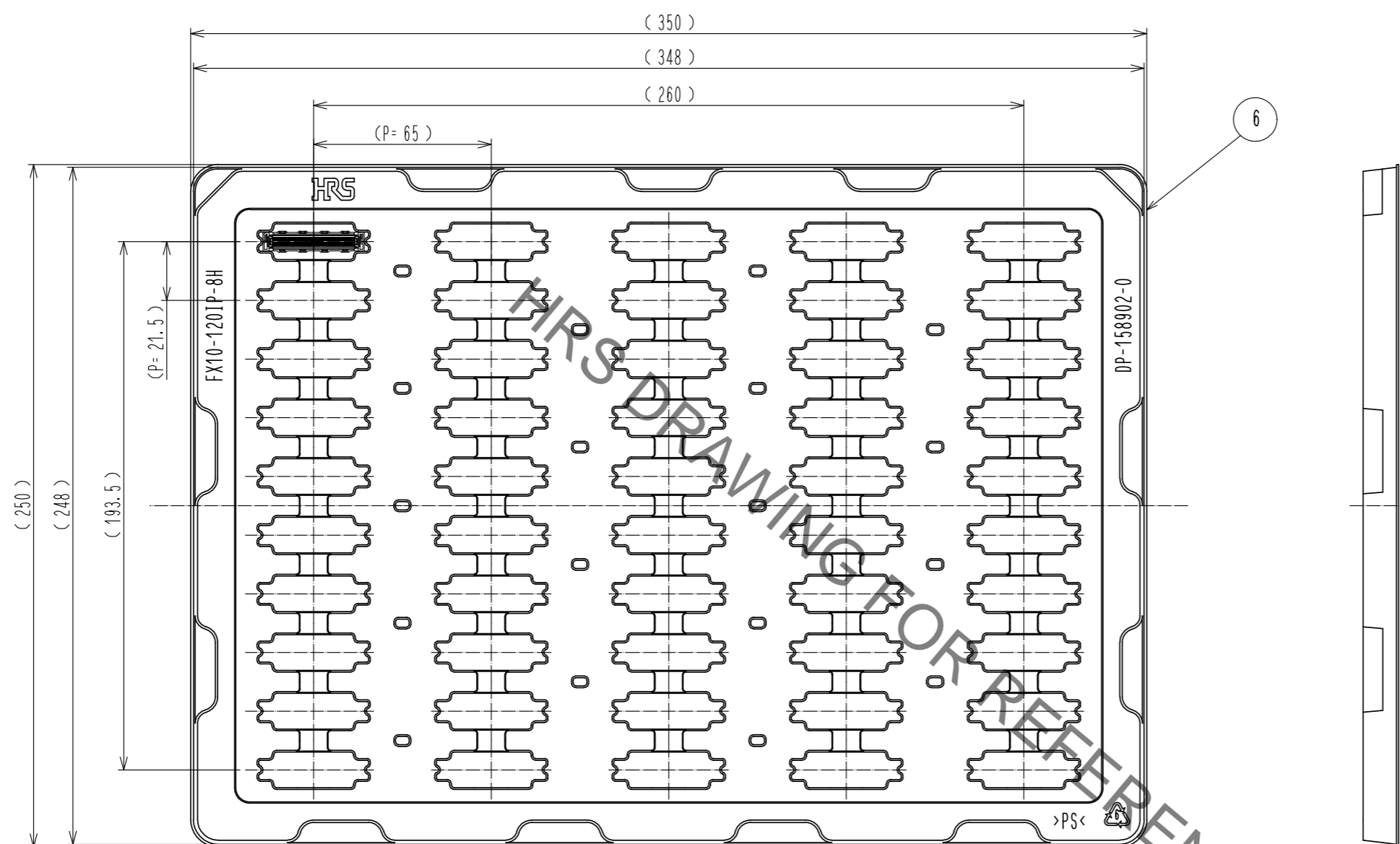


Fig.3 Drawing for packing (1:2) ◁ 6

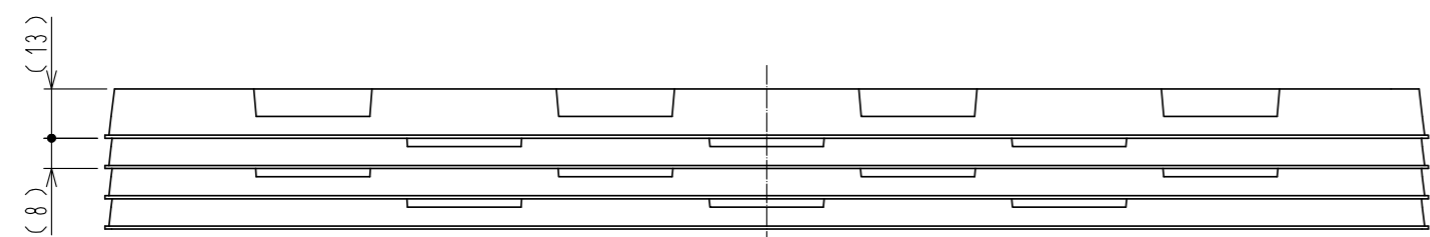


Fig.4 Stacked tray drawing (1:2)

HRS	DRAWING NO.	EDC-361676-03-00
	PART NO.	FX10-120IP-36Q-8PH(03)
	CODE NO.	CL608-0016-0-03

2/2