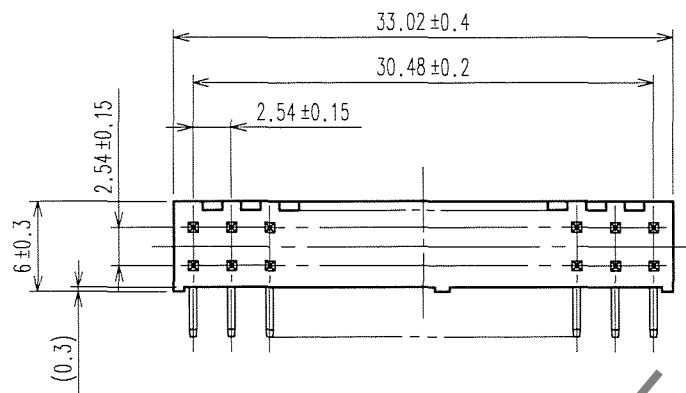
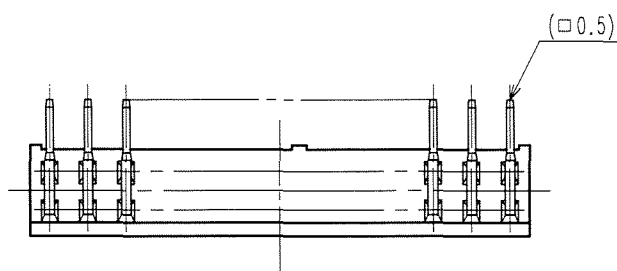
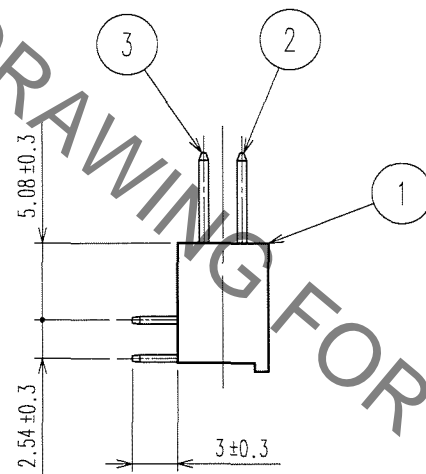
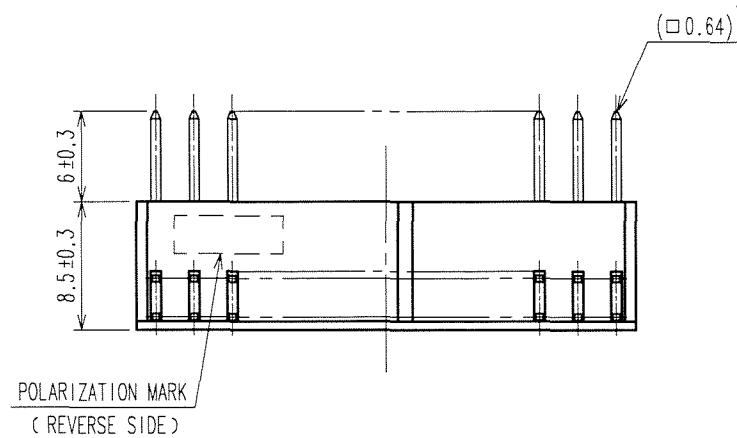
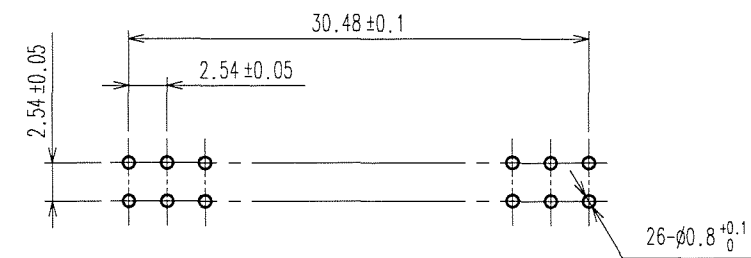


Oct.1.2019 Copyright 2019 HIROSE ELECTRIC CO., LTD. All Rights Reserved.
 In case of consideration for using Automotive equipment / device which demand high reliability, kindly contact our sales window correspondents.

COUNT	DESCRIPTION OF REVISIONS	BY	CHKD	DATE	COUNT	DESCRIPTION OF REVISIONS	BY	CHKD	DATE
△				..	△				..
△				..	△				..
△				..	△				..



RECOMMENDED PC BOARD HOLE PATTERN



HRS DRAWING FOR REFERENCE

NOTES 1. THE DIMENSIONS IN PARENTHESES ARE FOR REFERENCE.

TO
PCK

1	PBT	BLACK	UL94V-0	2,3	BRASS	CONTACT AREA : GOLD 0.2μ m min DIP AREA : TIN-PLATING 2μ m min UNDER PLATING : NICKEL 2.5μ m min			
NO.	MATERIAL	FINISH, REMARKS		NO.	MATERIAL	FINISH, REMARKS			
CODE NO. (OLD) CL				DRAWN	DESIGNED	CHECKED	APPROVED	RELEASED	
				K.NAKAMURA	K.NAKAMURA	K. Ozawa	H. Okawa		
				07.02.01	07.02.01	07-02-01	07-02-01		
SCALE 2 : 1		DRAWING NO. EDC3-018136-21			PART NO. A1-26PA-2.54DS(71)				
UNITS mm		HRS HIROSE ELECTRIC CO., LTD			CODE NO. CL619-0009-9-71				1/1