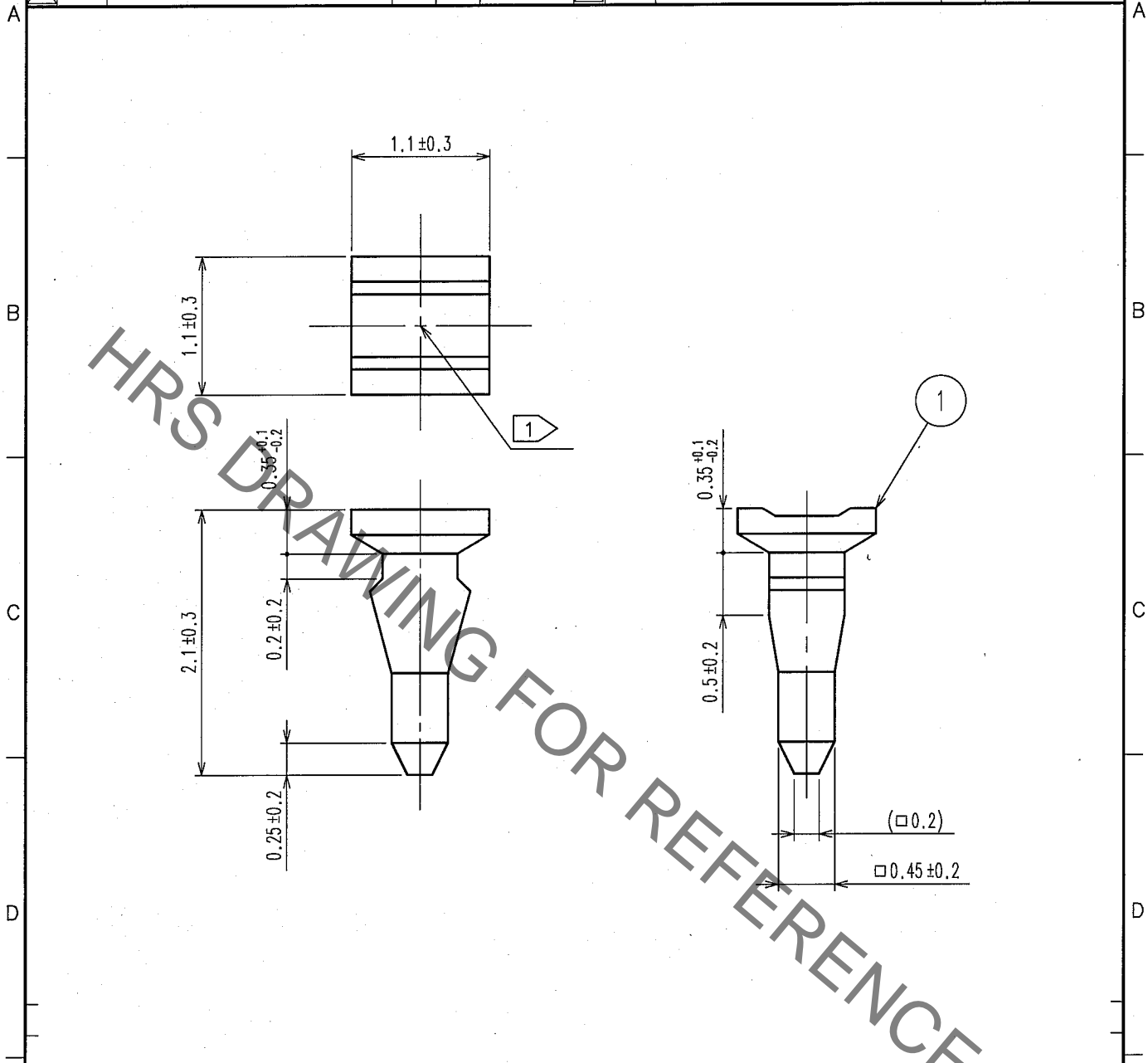


Nov.1.2019 Copyright 2019 HIROSE ELECTRIC CO., LTD. All Rights Reserved.
 In case of consideration for using Automotive equipment / device which demand high reliability, kindly contact our sales window correspondents.

| 1 | 2 | | 3 | | 4 | | | | |
|-------|--------------------------|----|------|------|-------|--------------------------|----|------|------|
| COUNT | DESCRIPTION OF REVISIONS | BY | CHKD | DATE | COUNT | DESCRIPTION OF REVISIONS | BY | CHKD | DATE |
| △ | | | | .. | △ | | | | .. |
| △ | | | | .. | △ | | | | .. |
| △ | | | | .. | △ | | | | .. |



NOTE 1 THIS PRODUCT IS PROVIDED IN A SET OF 10 PIECES IN CONJUNCTION WITH A RUNNER. THE UNIT FOR SALE CONSISTS OF 10 SETS, WHICH ARE INCLUDED IN ONE PACK.

| | | | | | | |
|----------------------------|--|----------------------------------|--|---|---|----------|
| NO. 1 | | MATERIAL POLYACETAL | | FINISH, REMARKS WHITE | | |
| NO. 1 | | MATERIAL POLYACETAL | | FINISH, REMARKS WHITE | | |
| CODE NO. (OLD) CL | | DRAWN A. SUZUKAWA 06.10.16 | DESIGNED <i>K. Nakamura</i> 06.10.17 | CHECKED <i>Jd. Ozawa</i> 06.10.17 | APPROVED <i>H. Okawa</i> 06.10.17 | RELEASED |
| DRAWING NO. EDC4-021374 | | PART NO. A3-GP IN(A) | | | | |
| SACLE 20:1 | | CODE NO. CL621-0178-2 | | 1/1 | | |
| UNITS mm | | HRS HIROSE ELECTRIC CO., LTD. | | FORM NO. 228 | | |

| |
|----|
| TO |
| |
| |
| |