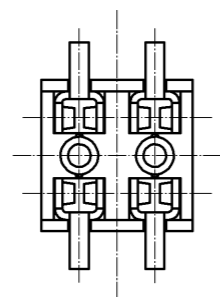
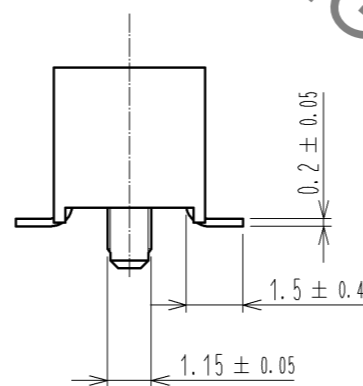
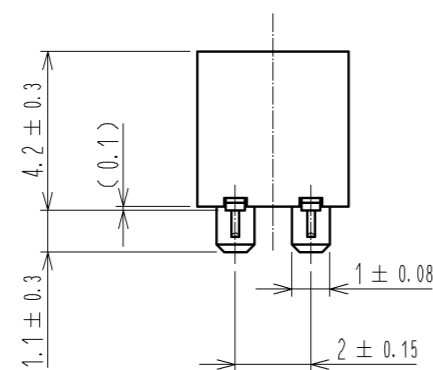
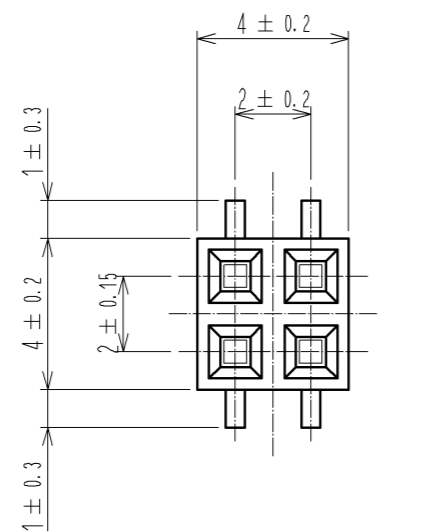
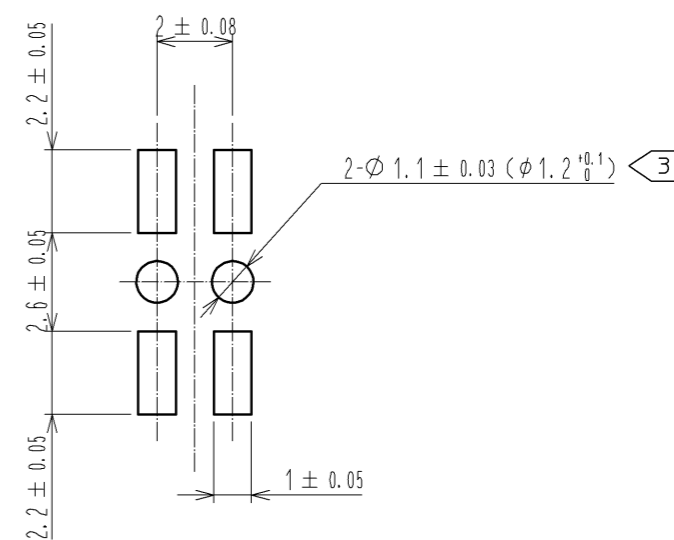


Jan.1.2020 Copyright 2020 HIROSE ELECTRIC CO., LTD. All Rights Reserved.
In case of consideration for using Automotive equipment / device which demand high reliability, kindly contact our sales window correspondents.



RECOMMENDED LAND PATTERN DIMENSION OF PCB (MOUNTING SIDE)
(RECOMMENDED METAL MASK THICKNESS:0.2mm)



- NOTE 1 Lead Co-Planarity shall be 0.15 max.
2 The dimensions in parentheses are for refernce.
3 For automated mounting, recommended through hole diameter of boss is 1.2 +0.1.

HRS DRAWING FOR REFERENCE

1	PPS	LIGHT BROWN / UL94V-0	2	PHOSPHOR BRONZE	CONTACT AREA:GOLD 0.2μm min. LEAD AREA:TIN-PLATING 1μm min. UNDER PLATING:NICKEL 1μm min.		
NO.	MATERIAL	FINISH . REMARKS	NO.	MATERIAL	FINISH . REMARKS		
UNITS mm		SCALE 5 : 1	COUNT 	DESCRIPTION OF REVISIONS	DESIGNED	CHECKED	DATE
HRS HIROSE ELECTRIC CO., LTD.		APPROVED : HS. OKAWA	12.03.21	DRAWING NO.	EDC3-082673-21		
		CHECKED : HT. YAMAGUCHI	12.03.21	PART NO.	A3A-4DA-2SV(71)		
		DESIGNED : TS. OONO	12.03.21	CODE NO.	CL621-1140-5-71		
		DRAWN : TS. OONO	12.03.21		1/1		