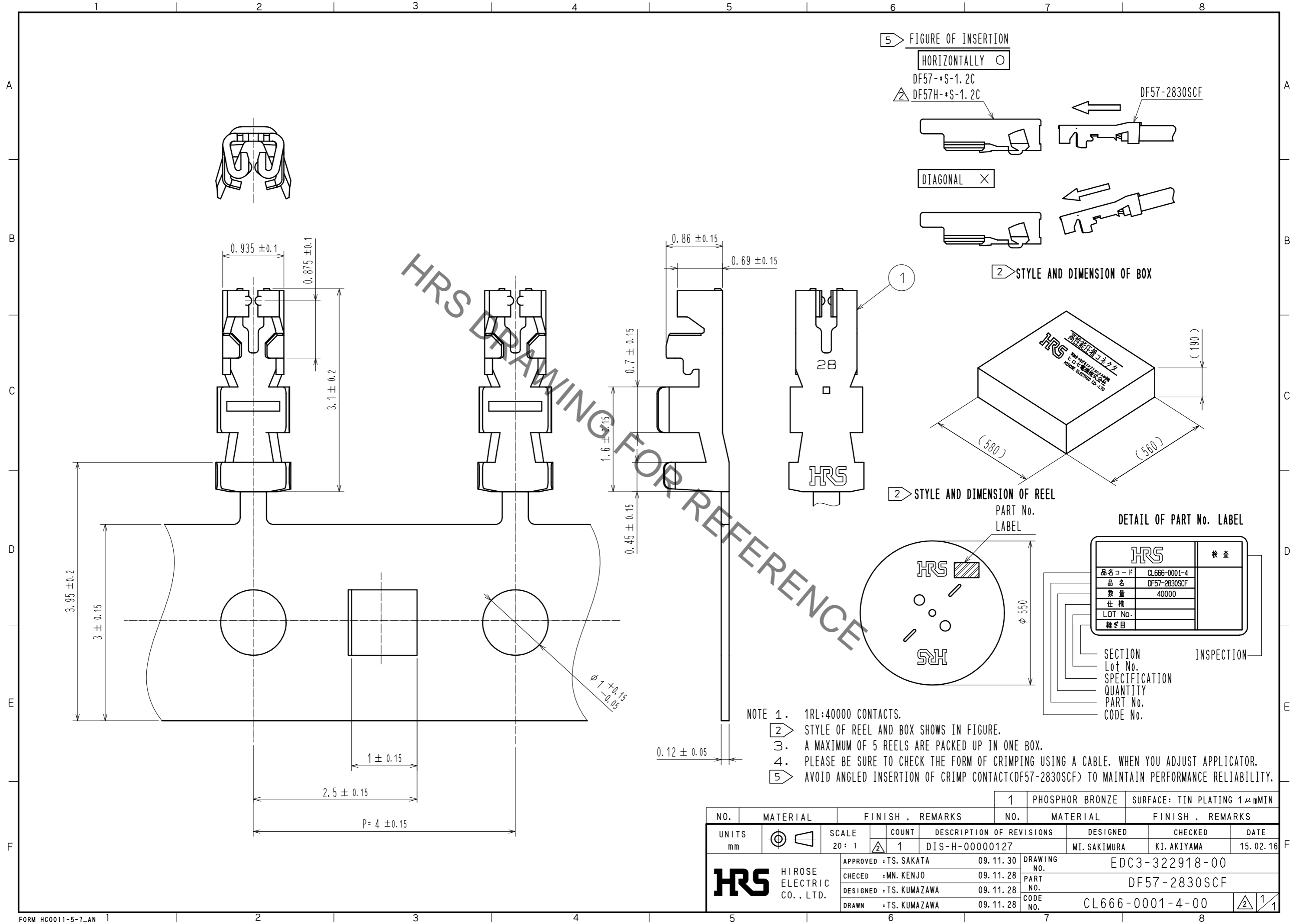


Sep.1.2020 Copyright 2020 HIROSE ELECTRIC CO., LTD. All Rights Reserved.  
In case of consideration for using Automotive equipment / device which demand high reliability, kindly contact our sales window correspondents.



NO.	MATERIAL	FINISH	REMARKS	NO.	MATERIAL	FINISH	REMARKS
				1	PHOSPHOR BRONZE		SURFACE: TIN PLATING 1μmMIN

UNITS	SCALE	COUNT	DESCRIPTION OF REVISIONS	DESIGNED	CHECKED	DATE
mm	20:1	1	DIS-H-00000127	MI. SAKIMURA	KI. AKIYAMA	15.02.16

<b>HRS</b> HIROSE ELECTRIC CO., LTD.	APPROVED	: TS. SAKATA	09.11.30	DRAWING NO.	EDC3-322918-00	
	CHECKED	: MN. KENJO	09.11.28	PART NO.	DF57-2830SCF	
	DESIGNED	: TS. KUMAZAWA	09.11.28	CODE NO.	CL666-0001-4-00	
	DRAWN	: TS. KUMAZAWA	09.11.28			