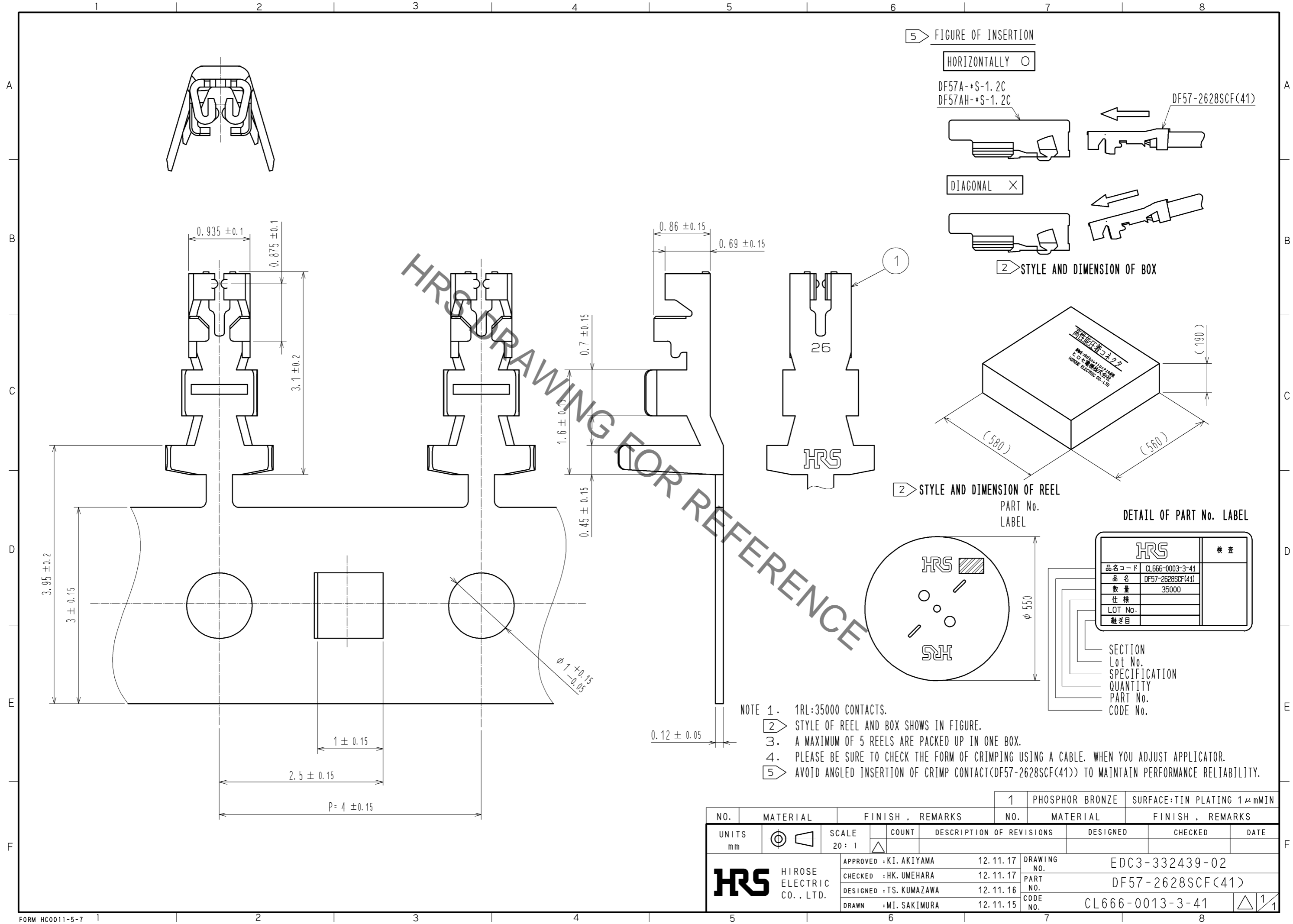


Sep.1.2020 Copyright 2020 HIROSE ELECTRIC CO., LTD. All Rights Reserved.
In case of consideration for using Automotive equipment / device which demand high reliability, kindly contact our sales window correspondents.



HRS		検査
品名コード	CL666-0003-3-41	
品名	DF57-2628SCF(41)	
数量	35000	
仕様		
LOT No.		
継ぎ目		

NO.	MATERIAL	FINISH	REMARKS	NO.	MATERIAL	FINISH	REMARKS
		1	PHOSPHOR BRONZE				SURFACE:TIN PLATING 1μmMIN

UNITS	SCALE	COUNT	DESCRIPTION OF REVISIONS	DESIGNED	CHECKED	DATE
mm	20:1	△				

HRS HIROSE ELECTRIC CO., LTD.	APPROVED	: KI. AKIYAMA	12.11.17	DRAWING NO. EDC3-332439-02
	CHECKED	: HK. UMEHARA	12.11.17	
	DESIGNED	: TS. KUMAZAWA	12.11.16	
	DRAWN	: MI. SAKIMURA	12.11.15	
				PART NO. DF57-2628SCF(41)
				CODE NO. CL666-0013-3-41