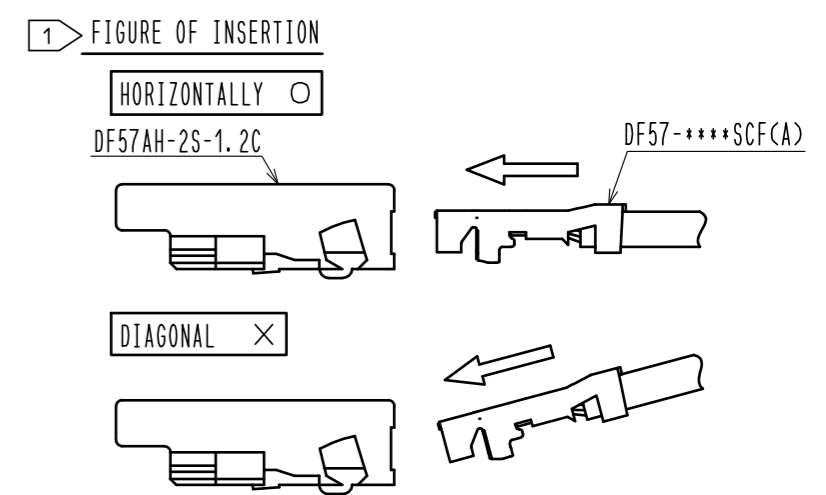
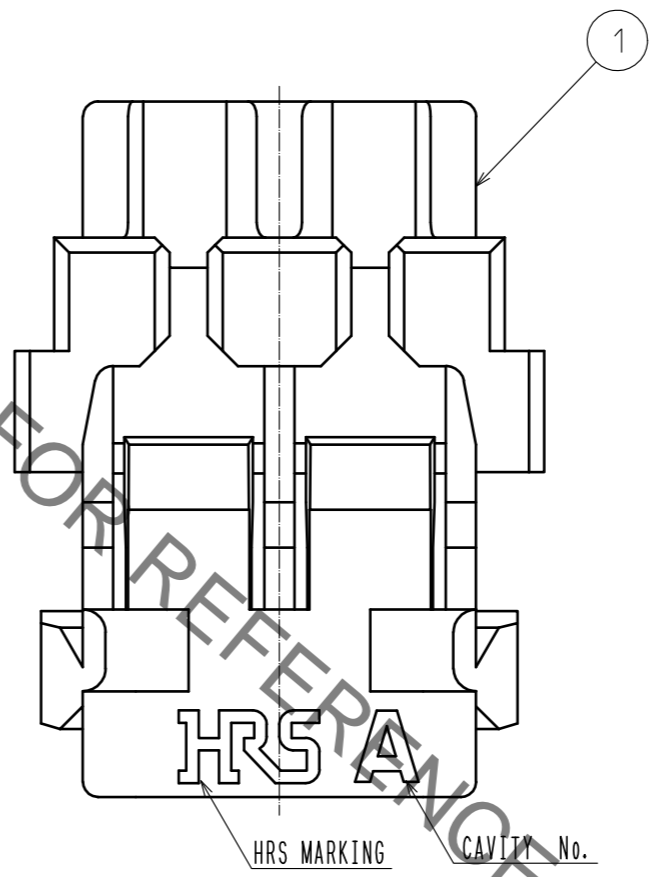
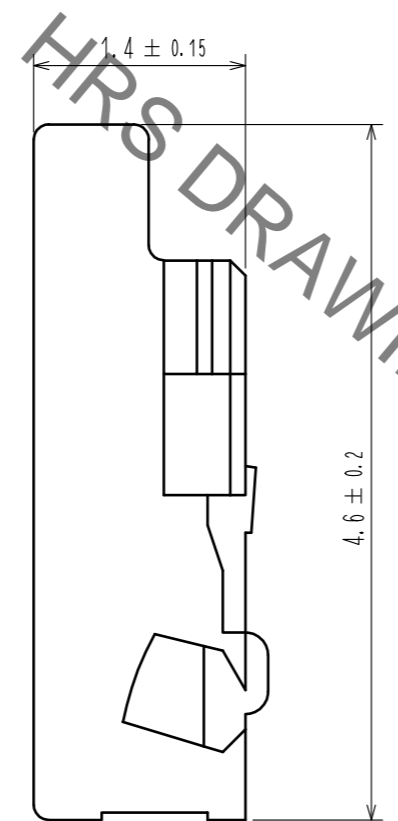
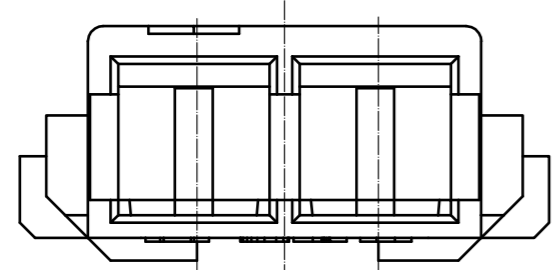
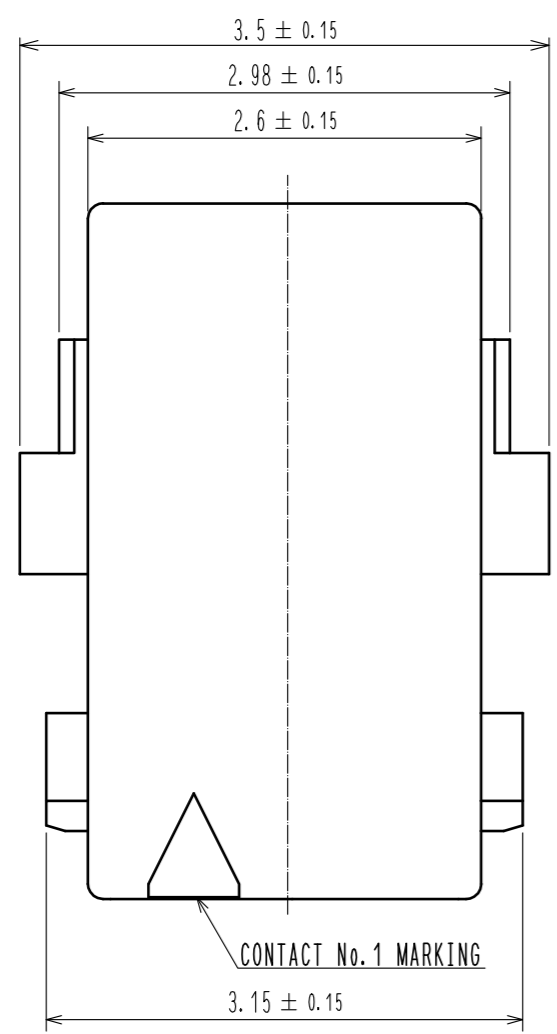
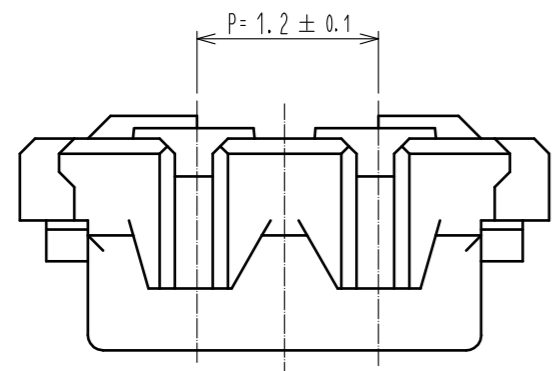


Sep.1.2020 Copyright 2020 HIROSE ELECTRIC CO., LTD. All Rights Reserved.  
In case of consideration for using Automotive equipment / device which demand high reliability, kindly contact our sales window correspondents.



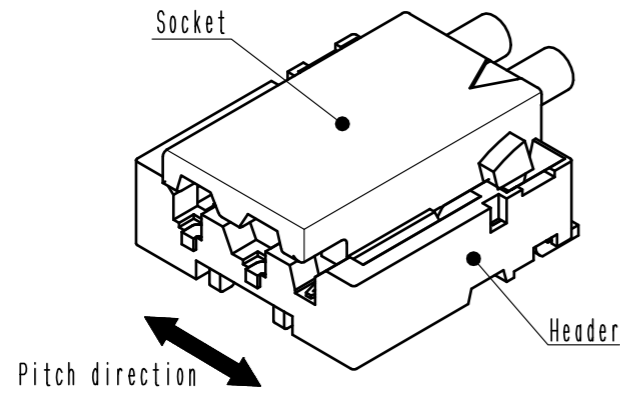
NOTE 1 AVOID ANGLED INSERTION OF CRIMP CONTACT(DF57-\*\*\*SCF(A)) TO MAINTAIN PERFORMANCE RELIABILITY.

NO.	MATERIAL	FINISH . REMARKS	NO.	MATERIAL	FINISH . REMARKS			
			1	PBT	UL94V-0. NATURAL(BLACK)			
UNITS	mm	SCALE	20 : 1	COUNT	DESCRIPTION OF REVISIONS	DESIGNED	CHECKED	DATE
<b>HRS</b> HIROSE ELECTRIC CO., LTD.		APPROVED	: KI. AKIYAMA	15.05.27	DRAWING NO.	EDC-362936-00-00		
		CHECKED	: TS. FUKUSHIMA	15.05.26	PART NO.	DF57AH-2S-1.2C		
		DESIGNED	: TS. KUMAZAWA	15.05.26	CODE NO.	CL666-0112-0-00		
		DRAWN	: TS. KUMAZAWA	15.05.26		1/2		

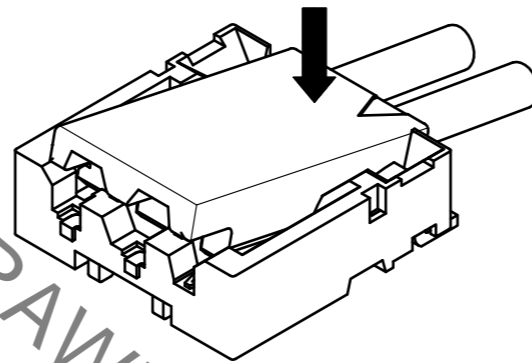
# DF57 Series Mating / Unmating Operation Instruction

## Mating

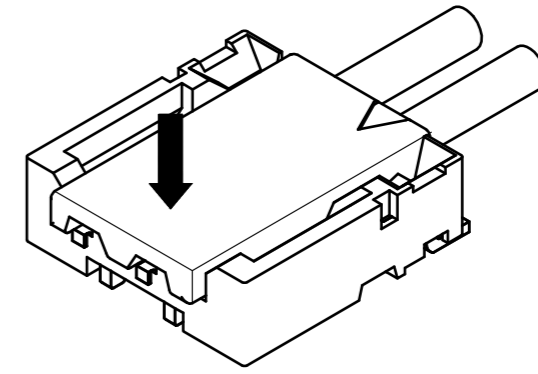
① By positioning the convexity of the socket sides to the header concavity, align the centers of the socket and the header in pitch direction.



② Slightly press the socket down at cable side to tilted angle.

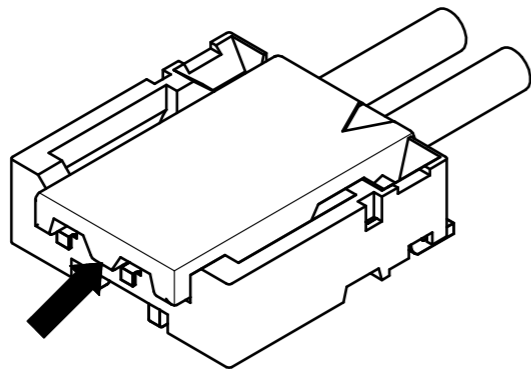


③ Press down at the lever side with stabilizing the cable side to insert. Mating completes.

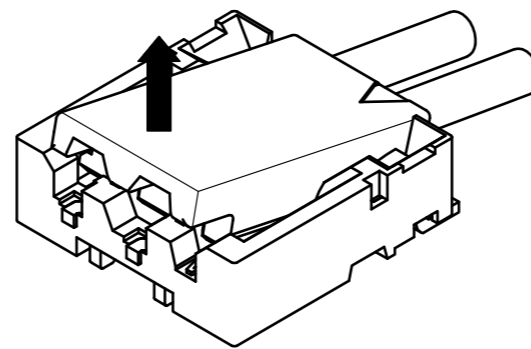


## Unmating

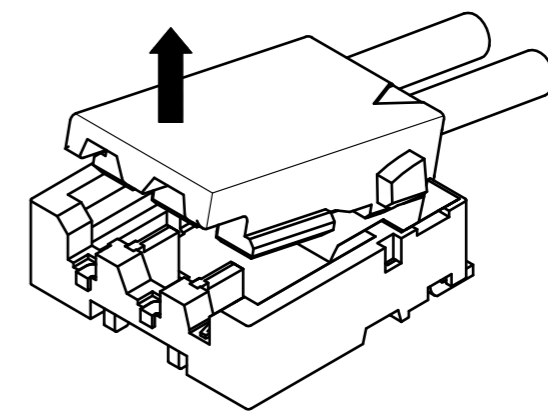
① Hook the lever with finger nail.



② Lift up to the upper direction and friction lock is released.



③ Lift up to the upper direction and positive lock is released. Removal completes.



HRS DRAWING FOR REFERENCE

<b>HRS</b>	DRAWING NO.	EDC-362936-00-00
	PART NO.	DF57AH-2S-1.2C
	CODE NO.	CL666-0112-0-00
		2/2

Sep.1.2020 Copyright 2020 HIROSE ELECTRIC CO., LTD. All Rights Reserved. In case of consideration for using Automotive equipment / device which demand high reliability, kindly contact our sales window correspondents.