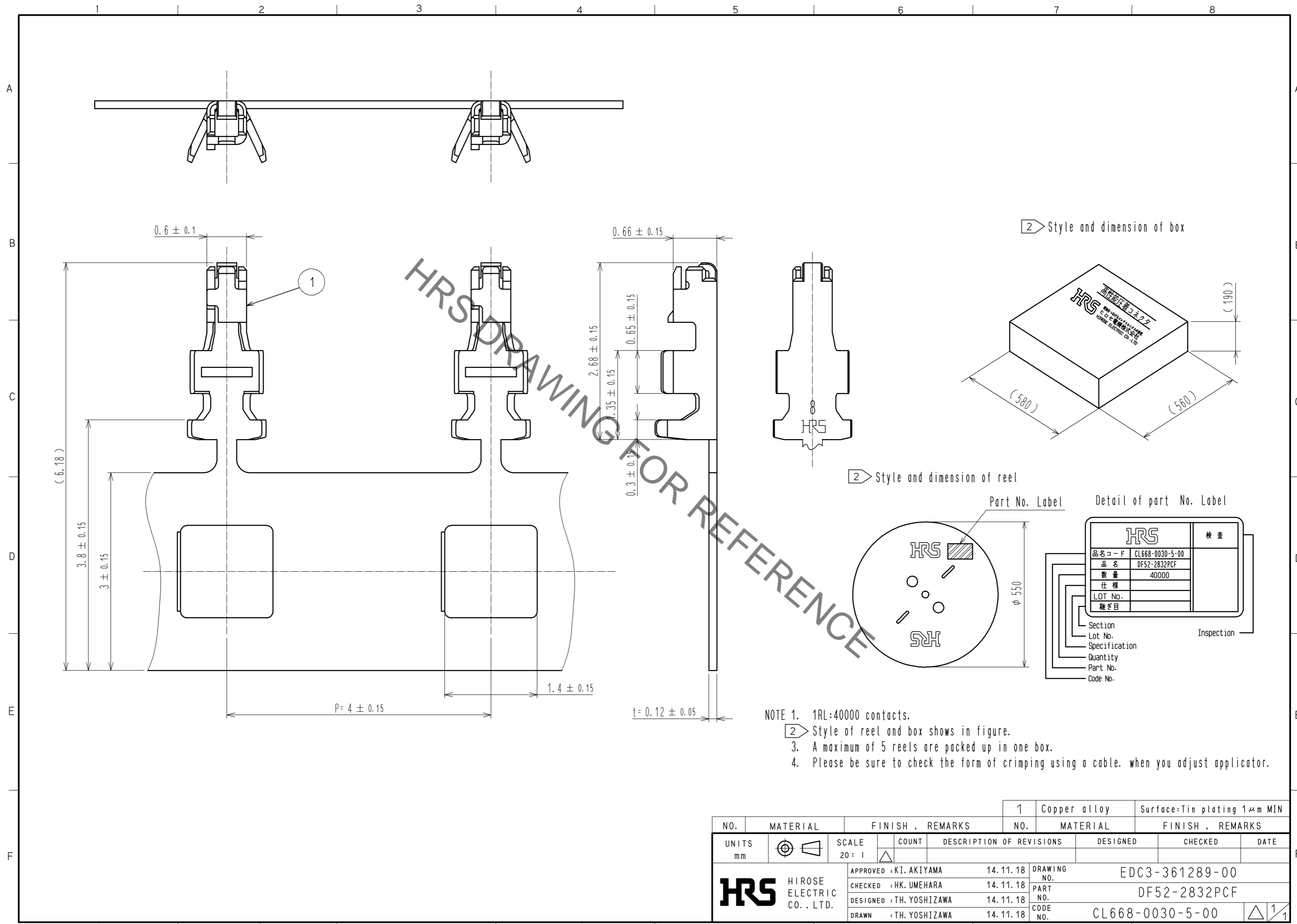


Apr.1.2020 Copyright 2020 HIROSE ELECTRIC CO., LTD. All Rights Reserved.  
In case of consideration for using Automotive equipment / device which demand high reliability, kindly contact our sales window correspondents.



- NOTE 1. 1RL:40000 contacts.  
 ② Style of reel and box shows in figure.  
 3. A maximum of 5 reels are packed up in one box.  
 4. Please be sure to check the form of crimping using a cable, when you adjust applicator.

NO.	MATERIAL	FINISH . REMARKS	NO.	MATERIAL	FINISH . REMARKS
			1	Copper alloy	Surface:Tin plating 1μm MIN

UNITS	SCALE	COUNT	DESCRIPTION OF REVISIONS	DESIGNED	CHECKED	DATE
mm	20:1	△				
APPROVED : KI. AKIYAMA			14.11.18	DRAWING NO. EDC3-361289-00		
CHECKED : HK. UMEHARA			14.11.18	PART NO. DF52-2832PCF		
DESIGNED : TH. YOSHIZAWA			14.11.18	CODE NO. CL668-0030-5-00		
DRAWN : TH. YOSHIZAWA			14.11.18	△ 1/1		