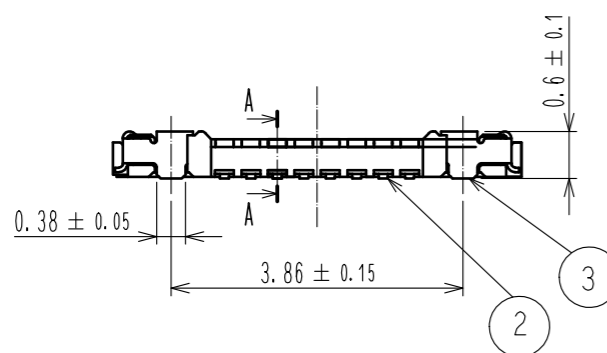
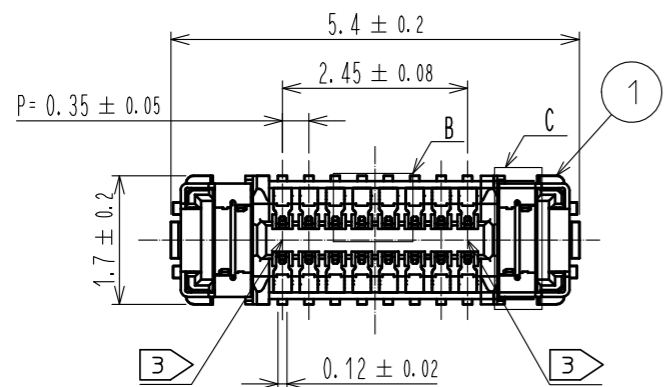


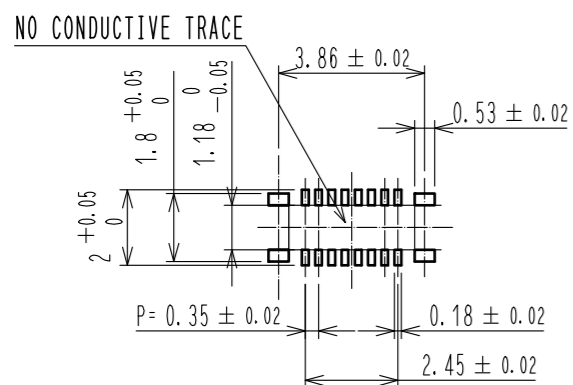
Oct.1.2019 Copyright 2019 HIROSE ELECTRIC CO., LTD. All Rights Reserved.  
In case of consideration for using Automotive equipment / device which demand high reliability, kindly contact our sales window correspondents.



NOTE 1. ALL LEAD CO-PLANARITY SHALL BE 0.08mm MAX.

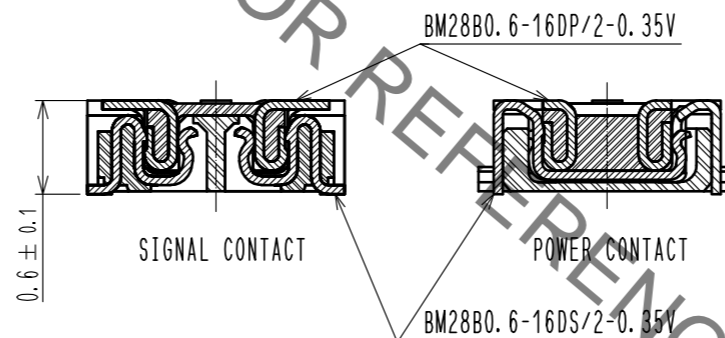
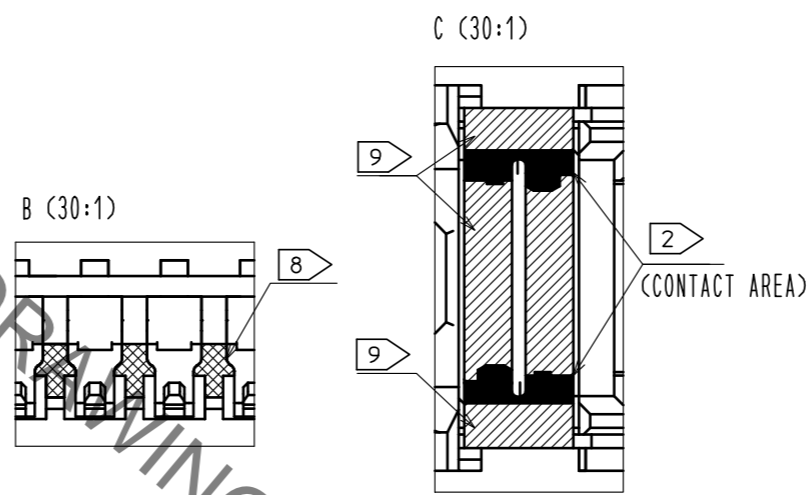
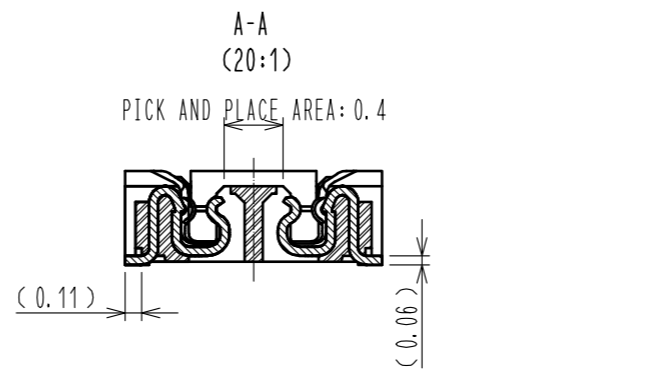
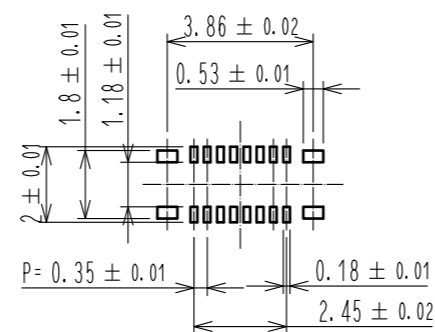
- 2 CONTACT PLATING SPECIFICATIONS  
CONTACT AREA : GOLD 0.05 μm MIN  
SMT LEAD : GOLD 0.05 μm MIN  
UNDER PLATING : NICKEL 1 μm MIN  
( SURFACE : SEALING )
- 3 CAV NO. AND HRS MARK EXIST IN THE INDICATED POSITION.

◆RECOMMENDED PCB LAYOUT

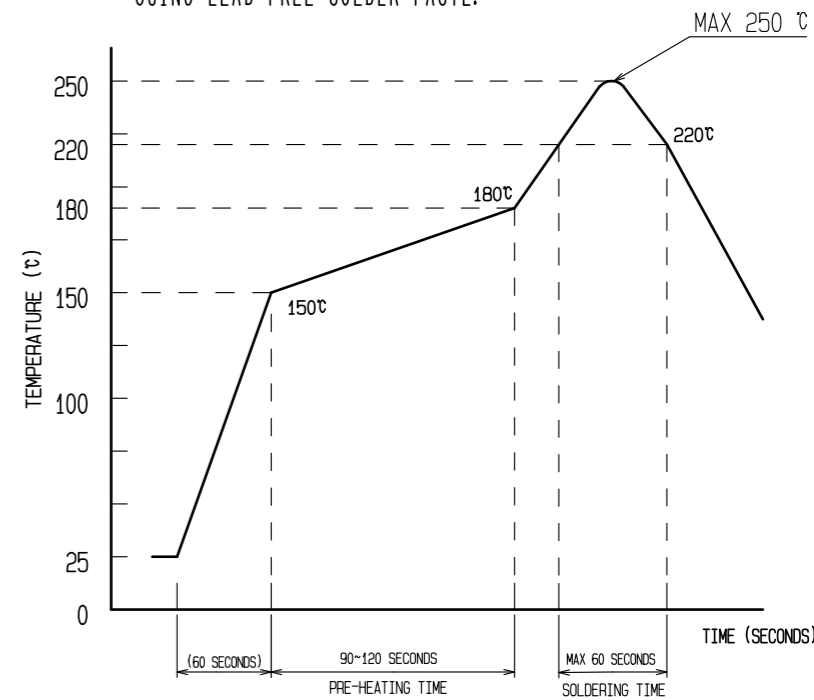


◆RECOMMENDED METAL MASK DIMENSIONS

METAL MASK THICKNESS : 80 μm



4 RECOMMENDED REFLOW TEMPERATURE PROFILE USING LEAD-FREE SOLDER PASTE.



- REFLOW METHOD: IR REFLOW  
NUMBER OF REFLOW CYCLES: 2 CYCLES MAX.
- 1) REFLOW TIME  
DURATION ABOVE 220°C, 60 SEC MAX.  
(PEAK TEMPERATURE: 250°C MAX)
  - 2) PRE-HEAT TIME  
PRE-HEAT TEMPERATURE (MIN): 150°C  
PRE-HEAT TEMPERATURE (MAX): 180°C  
PRE-HEAT TIME: 90-120 SEC.

- 4 THIS TEMPERATURE PROFILE IS PER THE CONDITIONS SHOWN ABOVE. ADDITIONAL FACTORS, SUCH AS SOLDER PASTE TYPE, PCB SIZE AND OTHER MOUNTED COMPONENTS COULD AFFECT THE PROFILE. THEREFORE, A THOROUGH EVALUATION OF MOUNTING COONDITION IS REQUIRED PRIOR TO PRODUCTION. TEPEURATE IS MEASURED AT CONTACT LEAD.
5. PLEASE CONTACT US IN CASE YOU WILL MAKE DIFFERENT SETTINGS FROM OUR RECOMMENDATION.
6. THIS PRODUCT SATISFIES HALOGEN FREE REQUIREMENTS DEFINED AS 900ppm MAXIMUM CHLORINE, 900ppm MAXIMUM BROMINE, AND 1500ppm MAXIMUM TOTAL OF CHLORINE AND BROMINE.
7. THIS PRODUCT COMPLY WITH RoHS.
- 8 WELD LINE APPEARS IN THE INDICATED POSITION.
- 9 NO GOLD PLATING IS ACCEPTABLE FOR THIS AREA.

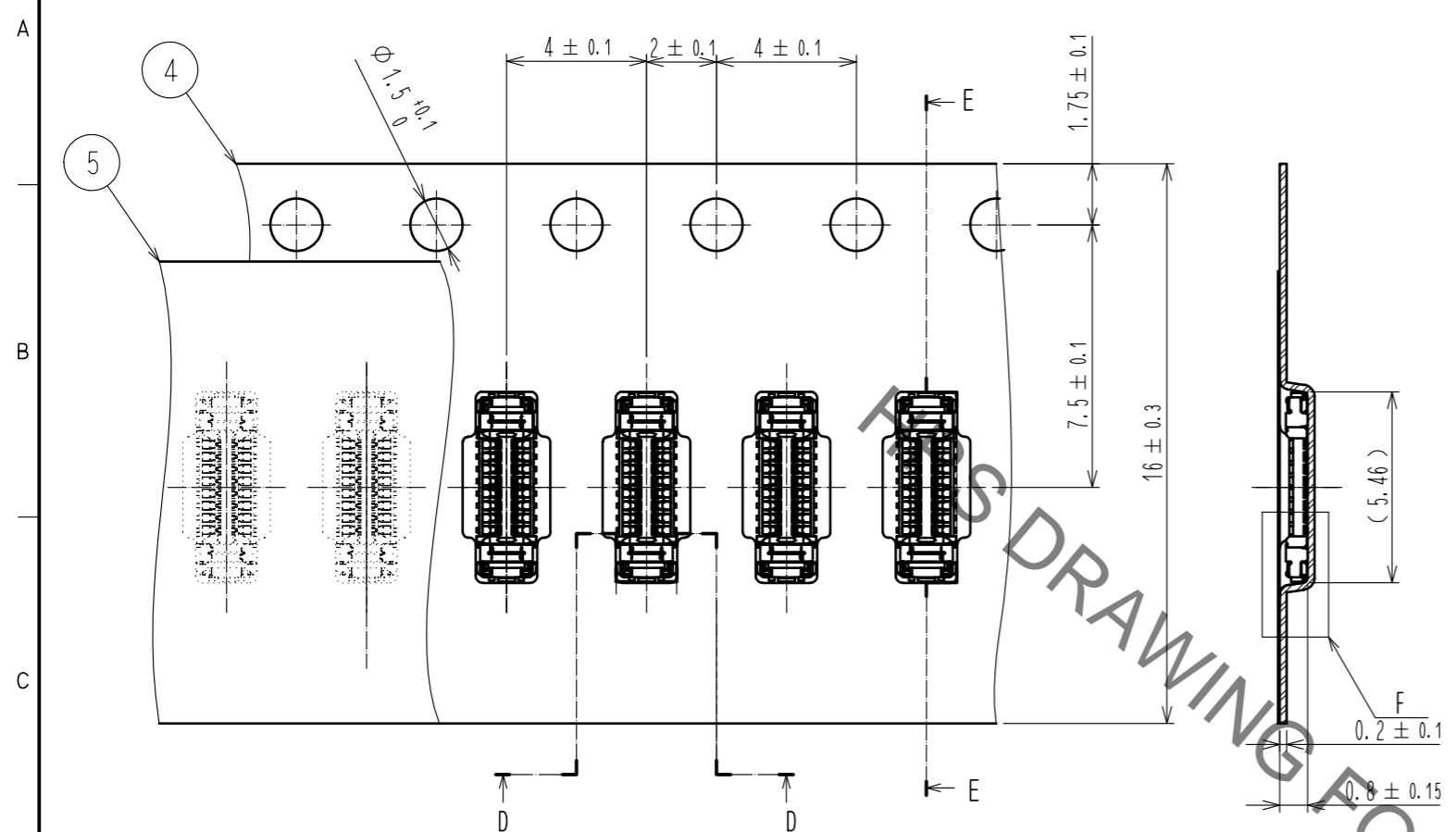
4	PS	CLEAR(EMBOSSED CARRIER TAPE)			
3	COPPER ALLOY	2	7	PS	CLEAR (REINFORCEMENT COLLAR)
2	COPPER ALLOY	2	6	PS	BLACK (PLASTIC REEL)
1	LCP	UL94 V-0, BLACK	5	POLYESTER	CLEAR (COVER TAPE)
NO.	MATERIAL	FINISH . REMARKS	NO.	MATERIAL	FINISH . REMARKS
UNITS	mm	SCALE	10 : 1	COUNT	DESCRIPTION OF REVISIONS
					DESIGNED
					CHECKED
					DATE
APPROVED : MO. ISHIDA		17.05.23		DRAWING NO. EDC-370838-53-00	
CHECED : TS. MIYAZAKI		17.05.23		PART NO. BM28B0.6-16DS/2-0.35V(53)	
DESIGNED : RT. SHIMIZU		17.05.23		CODE NO. CL673-5067-0-53	
DRAWN : SN. NUMAZAKI		17.05.23		1/2	

Oct.1.2019 Copyright 2019 HIROSE ELECTRIC CO., LTD. All Rights Reserved.  
 In case of consideration for using Automotive equipment / device which demand high reliability, kindly contact our sales window correspondents.

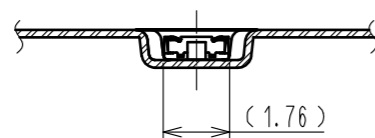
# EMBOSED CARRIER TAPE PACKAGING (5:1)

E-E (5:1)

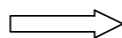
# STYLE AND DIMENSION OF REEL (FREE)



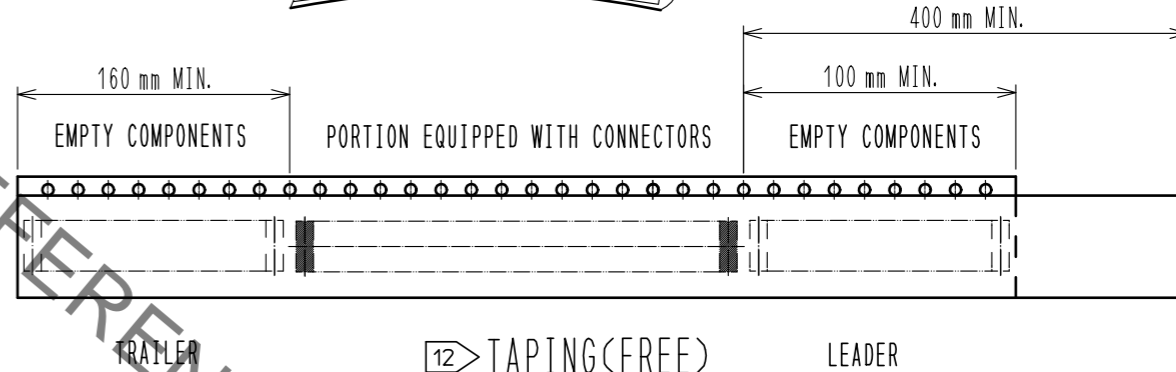
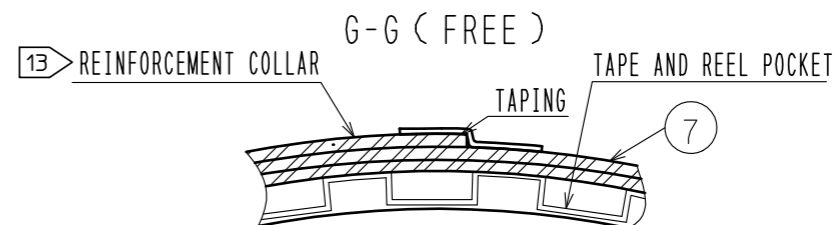
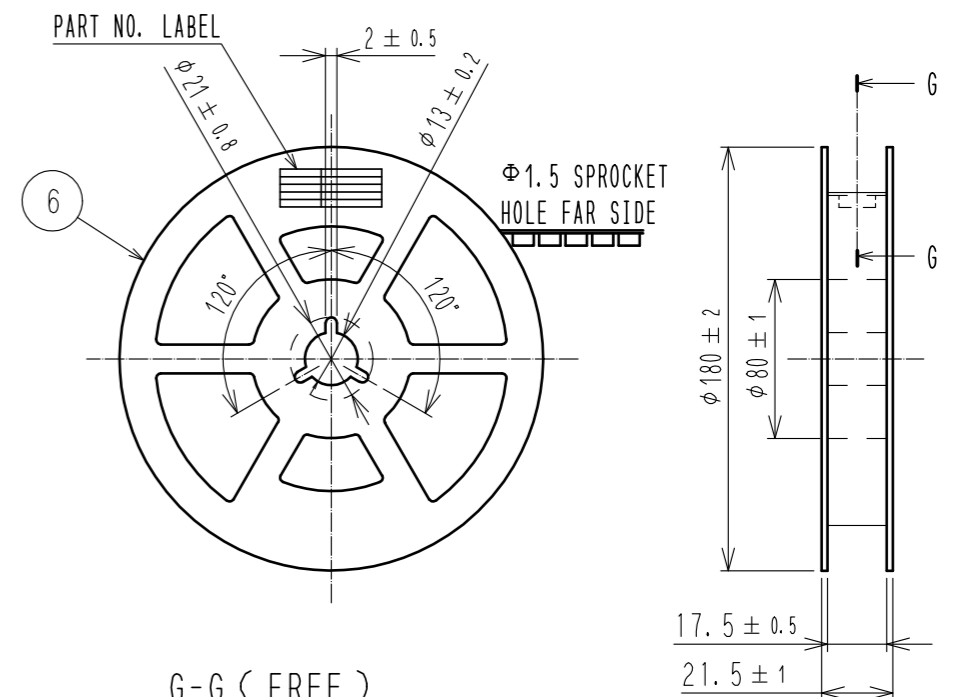
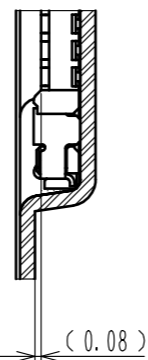
D-D (5:1)



DIRECTION OF UNREELING



F (10:1)



## DETAIL OF PART NO. LABEL

製造年月日	** ** *
製品コード	CL673-****-**
製品名	BM28B0.6-**
数量	1,000
納入者	ヒロセ電機(株)

DATA OF MANUFACTURED  
 CODE NO.  
 PART NO.  
 QUANTITY  
 SUPPLIER

- 10 . PER REEL 1,000 CONNECTORS.
- 11 . THE DIMENSIONS IN PARENTHESES ARE FOR REFERENCE.
- 12 . REFER TO JIS C 0806, IEC 60286-3(PACKAGING OF COMPONENTS FOR AUTOMATIC HANDLING)
- 13 . AFTER PACKAGING, ROLL 2 METERS OF THE REINFORCEMENT COLLAR TO OUTER CIRCUMFERENCE OF TAPE AND REEL POCKET. AND TAPE DOWN AT THE END THE COLLAR.

<b>HRS</b>	DRAWING NO.	EDC-370838-53-00
	PART NO.	BM28B0.6-16DS/2-0.35V(53)
	CODE NO.	CL673-5067-0-53
		$\triangle$ 2/2