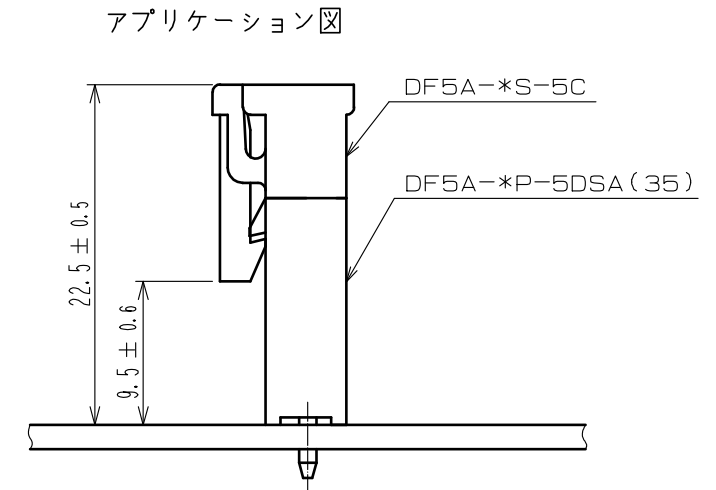
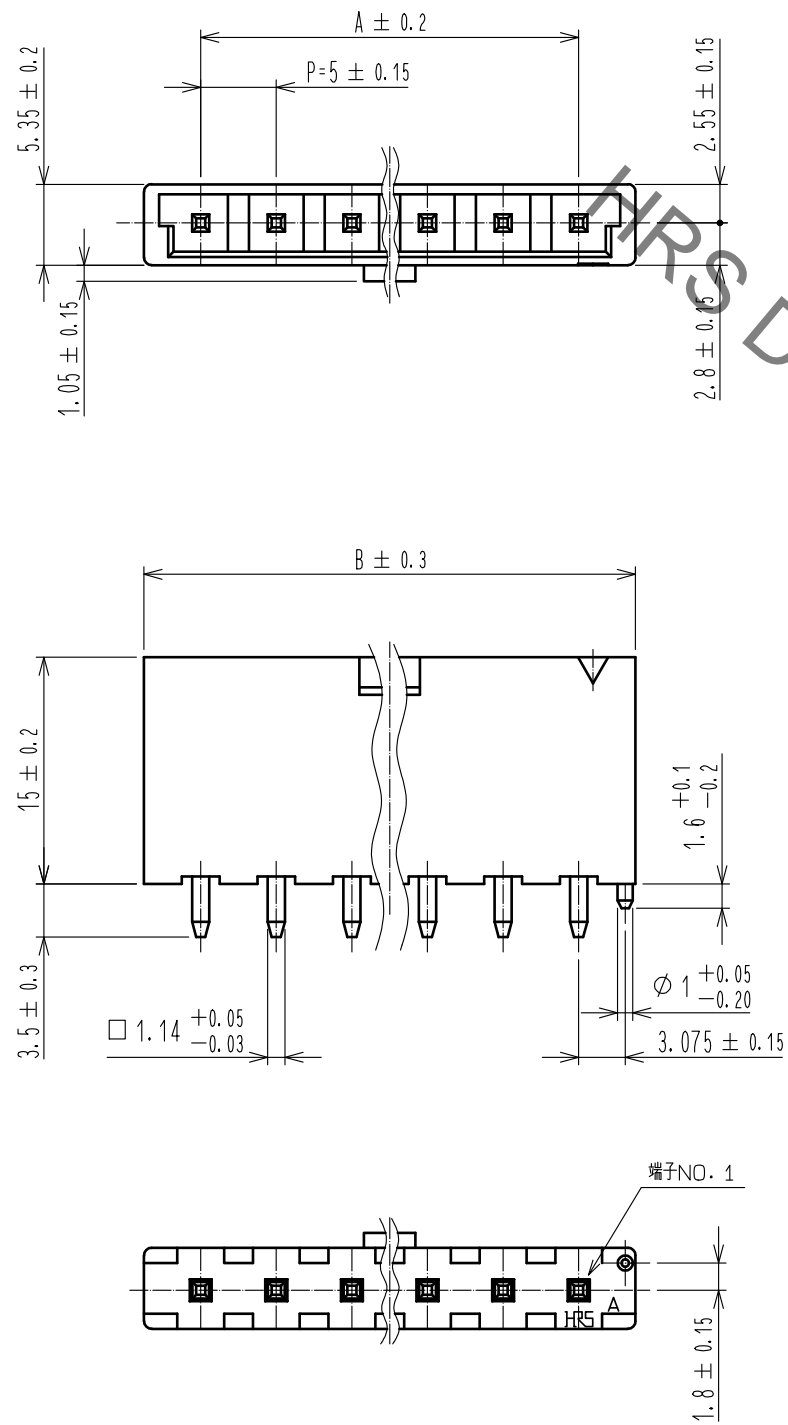
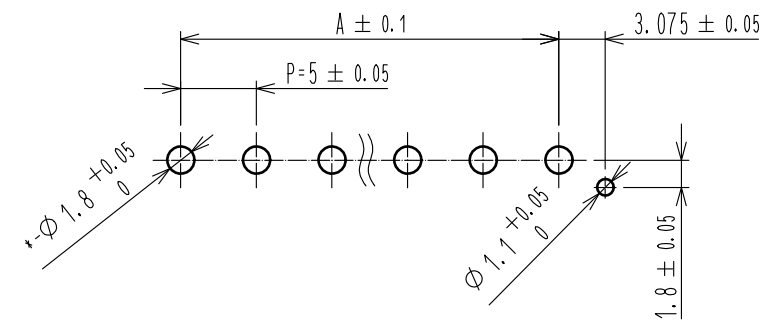


Oct.1.2020 Copyright 2020 HIROSE ELECTRIC CO.,LTD. All Rights Reserved.
 本製品を車載用途などの高い信頼性が求められる機器にご使用の場合は、弊社までお問合せ下さい。



推奨基板穴寸法 (t = 1.6 ± 0.1)



| 製品名 | 製品コード | A | B |
|-------------------|-----------------|------|------|
| DF5A- 2P-5DSA(35) | CL676-0016-9-35 | - | 12.5 |
| DF5A- 3P-5DSA(35) | CL676-0017-1-35 | 10.0 | 17.5 |
| DF5A- 4P-5DSA(35) | CL676-0018-4-35 | 15.0 | 22.5 |
| DF5A- 5P-5DSA(35) | CL676-0019-7-35 | 20.0 | 27.5 |
| DF5A- 6P-5DSA(35) | CL676-0020-6-35 | 25.0 | 32.5 |
| DF5A- 7P-5DSA(35) | CL676-0021-9-35 | 30.0 | 37.5 |
| DF5A- 8P-5DSA(35) | CL676-0022-1-35 | 35.0 | 42.5 |
| DF5A- 9P-5DSA(35) | CL676-0023-4-35 | 40.0 | 47.5 |
| DF5A-10P-5DSA(35) | CL676-0024-7-35 | 45.0 | 52.5 |

| | | | | | | | |
|--------------------------------------|----------|-------------------------|----------|------------------------------|---------------------------------------|---------|------|
| 1 | ポリアミド樹脂 | NATURAL(BEIGE), UL94V-0 | 2 | 黄銅 | すずめっき 1μm min 下地:ニッケルめっき 0.5μm min | | |
| NO. | MATERIAL | FINISH, REMARKS | NO. | MATERIAL | FINISH, REMARKS | | |
| UNITS mm | | SCALE 2:1 | COUNT | DESCRIPTION OF REVISIONS | DESIGNED | CHECKED | DATE |
| HRS HIROSE ELECTRIC CO., LTD. | | APPROVED: KI. AKIYAMA | 15.05.15 | DRAWING NO. ADC-160242-35-00 | | | |
| | | CHECKED: TS. FUKUSHIMA | 15.05.14 | PART NO. DF5A-*P-5DSA(35) | | | |
| | | DESIGNED: TS. KUMAZAWA | 15.05.14 | CODE NO. CL676- | | | |
| | | DRAWN: MI. SAKIMURA | 15.05.14 | | | | |