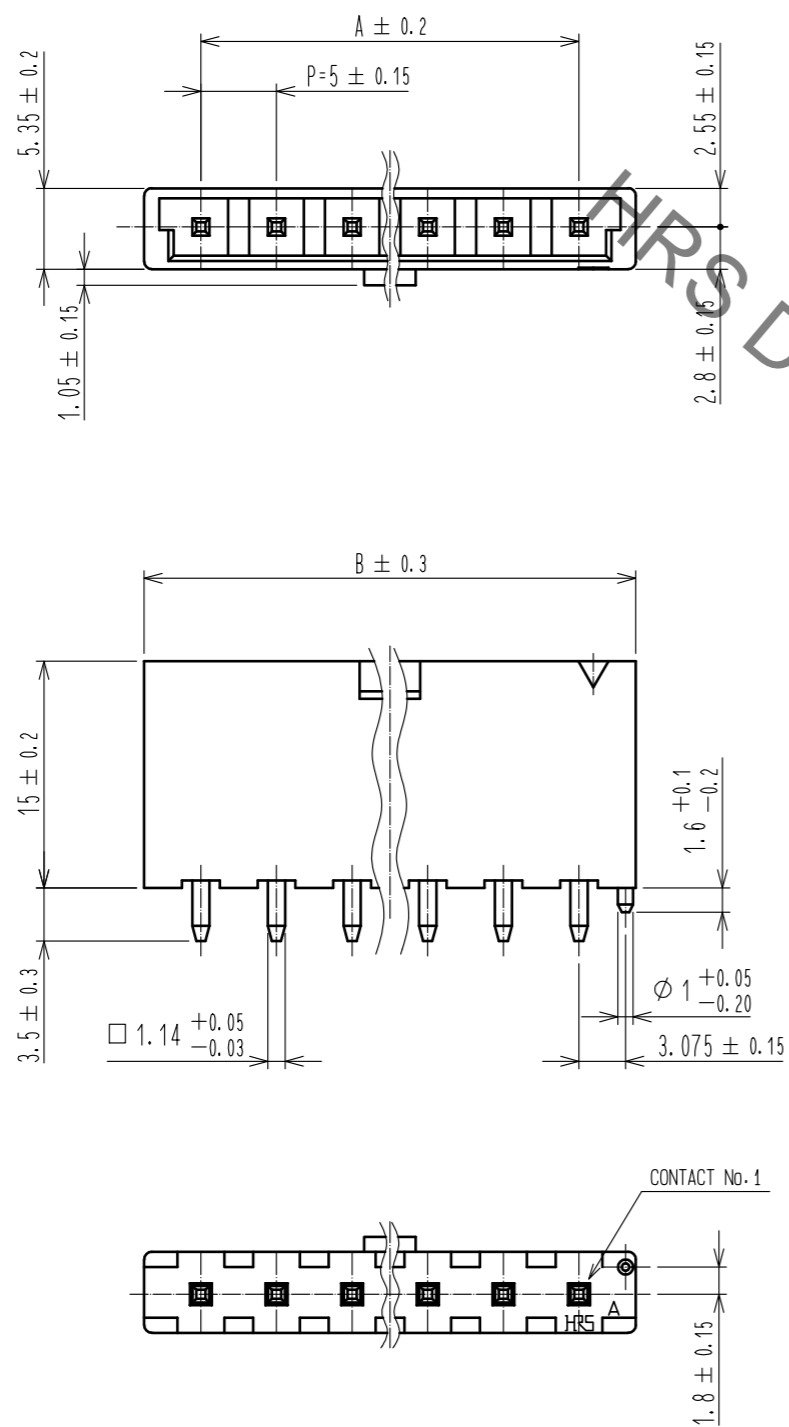
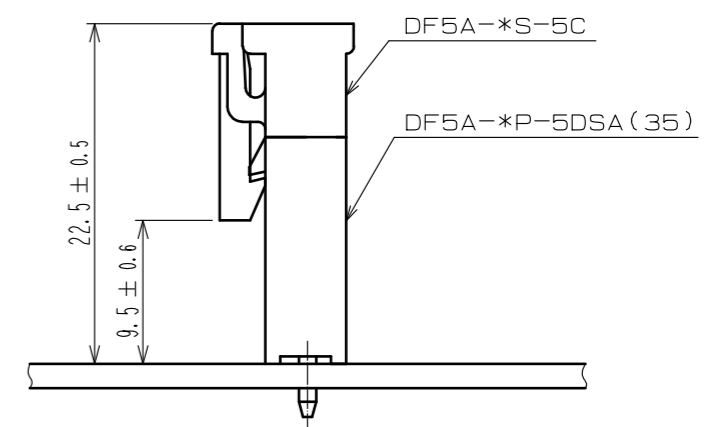


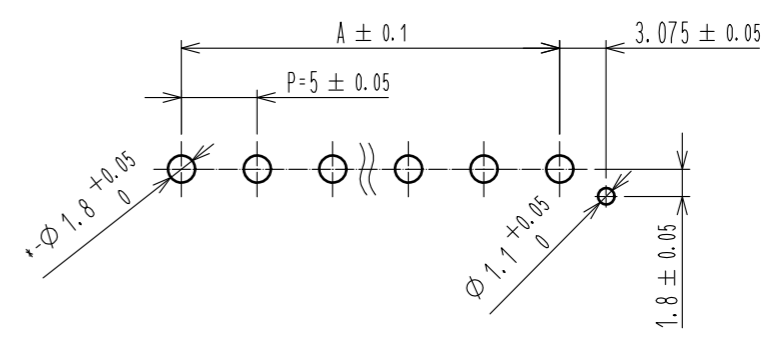
Sep.1.2020 Copyright 2020 HIROSE ELECTRIC CO., LTD. All Rights Reserved.
 In case of consideration for using Automotive equipment / device which demand high reliability, kindly contact our sales window correspondents.



APPLICATION DIAGRAM



RECOMMENDED PCB LAYOUT (t=1.6 ± 0.1)



PART No.	CODE No.	A	B
DF5A- 2P-5DSA(35)	CL676-0016-9-35	-	12.5
DF5A- 3P-5DSA(35)	CL676-0017-1-35	10.0	17.5
DF5A- 4P-5DSA(35)	CL676-0018-4-35	15.0	22.5
DF5A- 5P-5DSA(35)	CL676-0019-7-35	20.0	27.5
DF5A- 6P-5DSA(35)	CL676-0020-6-35	25.0	32.5
DF5A- 7P-5DSA(35)	CL676-0021-9-35	30.0	37.5
DF5A- 8P-5DSA(35)	CL676-0022-1-35	35.0	42.5
DF5A- 9P-5DSA(35)	CL676-0023-4-35	40.0	47.5
DF5A-10P-5DSA(35)	CL676-0024-7-35	45.0	52.5

1	POLYAMIDE	NATURAL(BEIGE), UL94V-0	2	BRASS	SURFACE:TIN PLATED 1μm min UNDER PLATING:NICKEL PLATED 0.5μm min		
NO.	MATERIAL	FINISH . REMARKS	NO.	MATERIAL	FINISH . REMARKS		
UNITS mm		SCALE 2 : 1	COUNT	DESCRIPTION OF REVISIONS	DESIGNED	CHECKED	DATE
HRS HIROSE ELECTRIC CO., LTD.		APPROVED : KI. AKIYAMA	15.05.15	DRAWING NO. EDC-160242-35-00			
		CHECKED : TS. FUKUSHIMA	15.05.14	PART NO. DF5A-*P-5DSA(35)			
		DESIGNED : TS. KUMAZAWA	15.05.14	CODE NO. CL676-			
		DRAWN : MI. SAKIMURA	15.05.14				