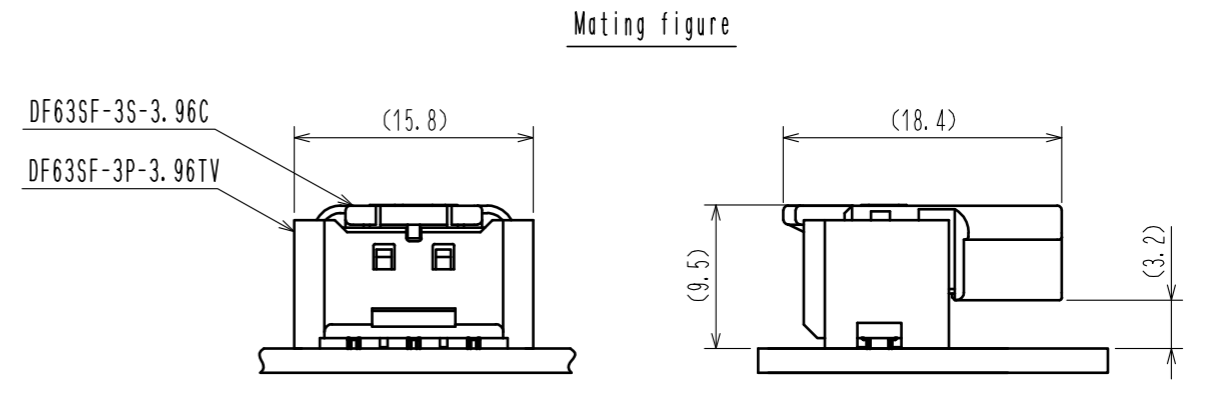
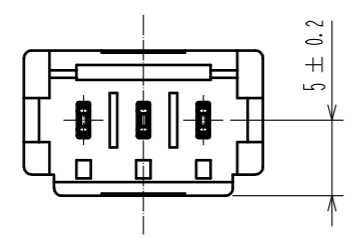
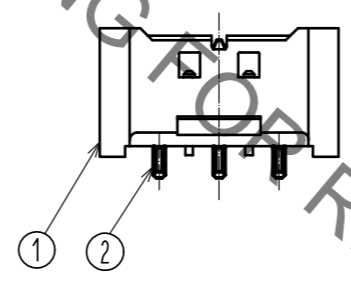
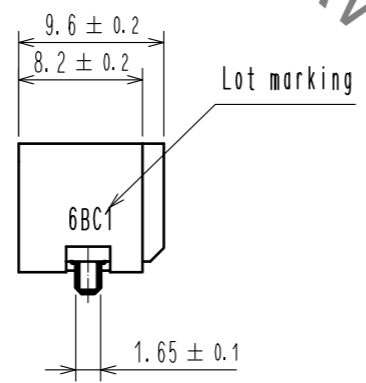
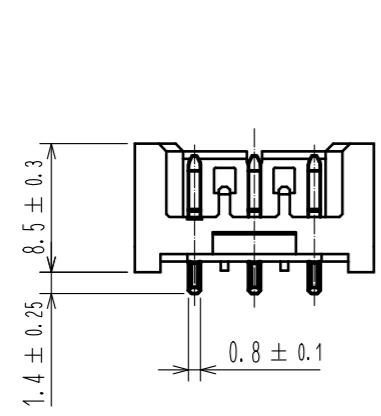
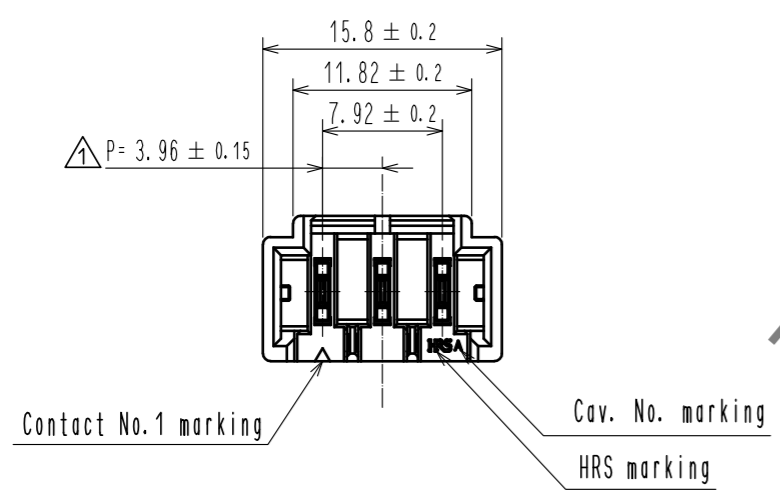
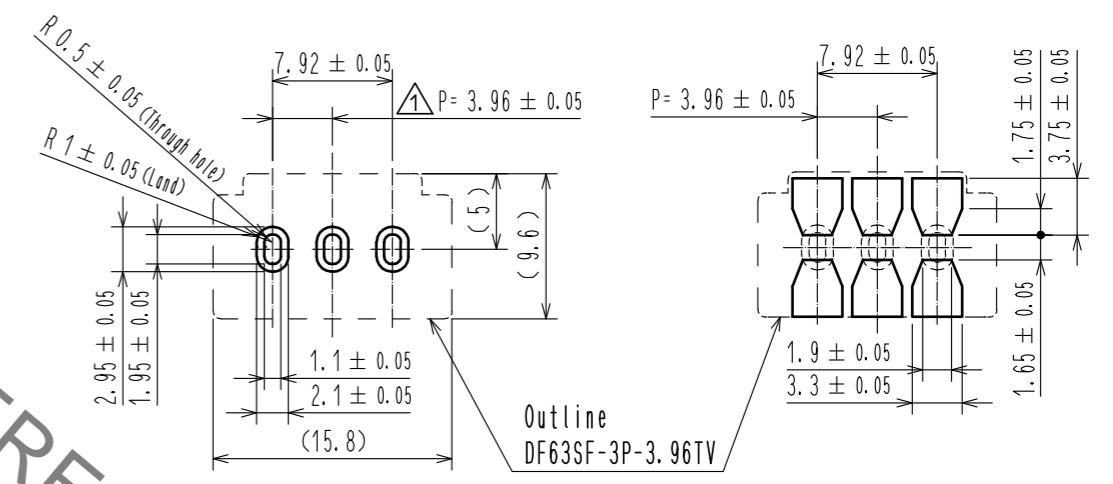


Oct.1.2019 Copyright 2019 HIROSE ELECTRIC CO., LTD. All Rights Reserved.  
In case of consideration for using Automotive equipment / device which demand high reliability, kindly contact our sales window correspondents.



Recommended Pattern  
Recommended Board Thickness (t=1.6mm)

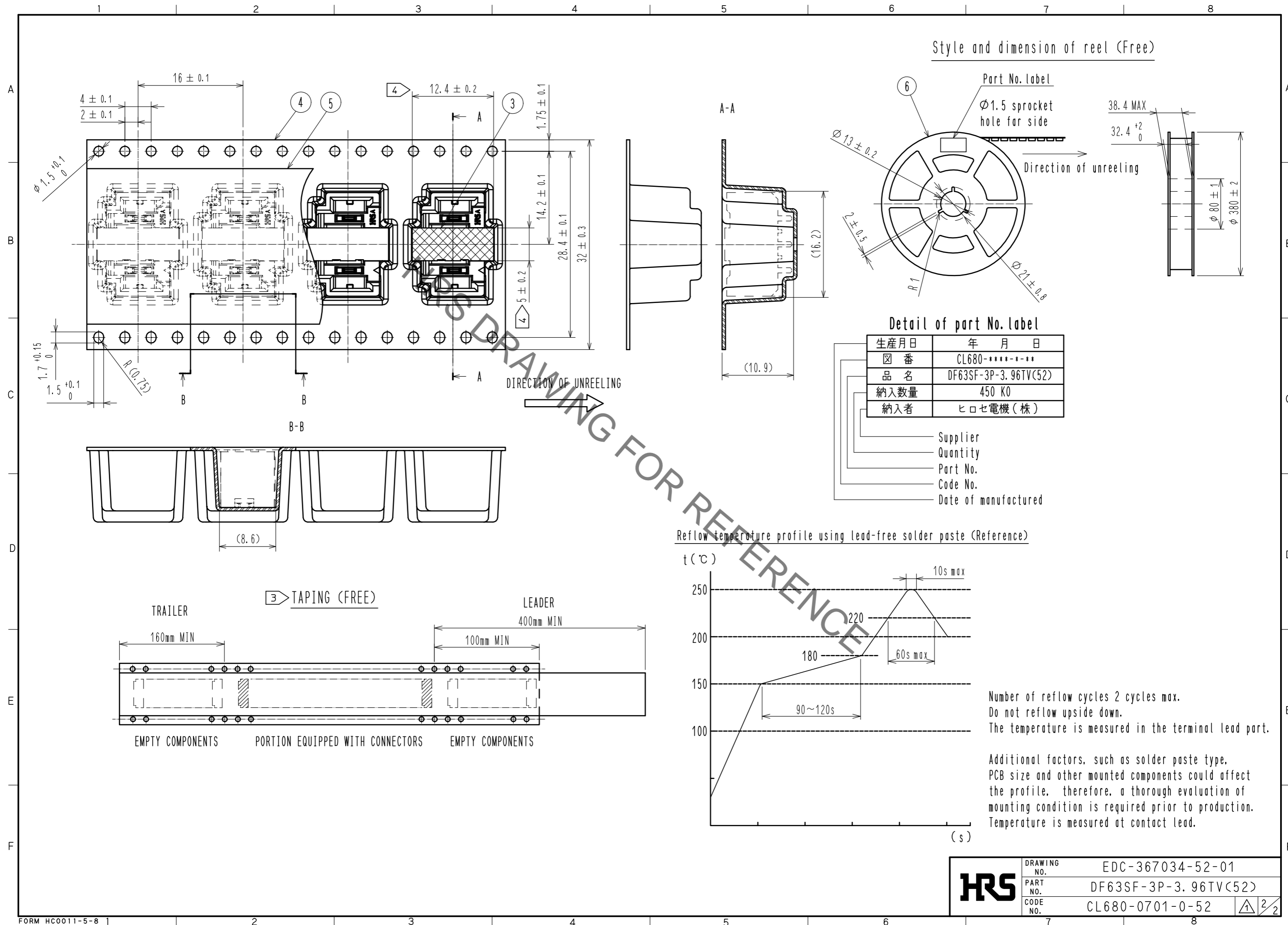
Recommended metal mask  
(Thickness : 0.15mm)



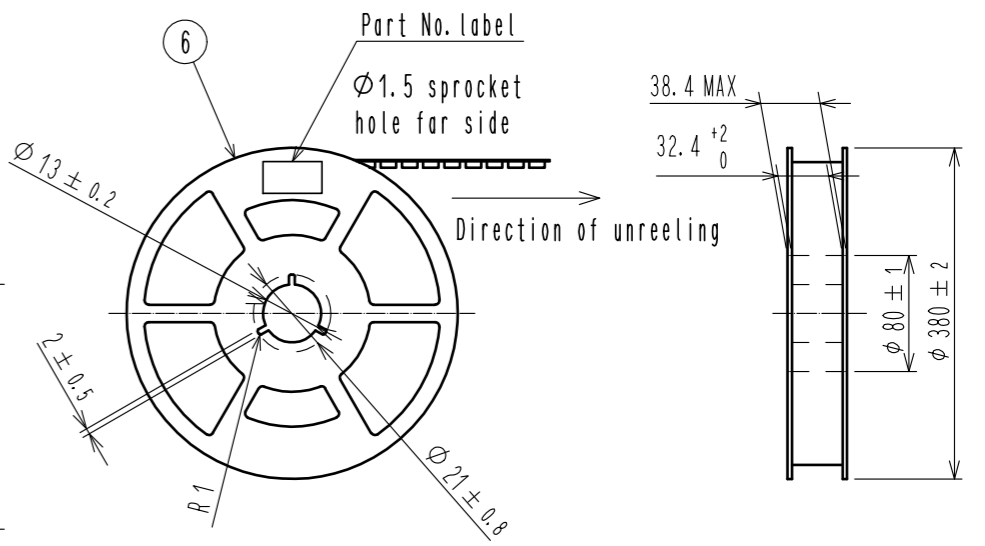
- Note 1. 1 reel : 450 connectors  
 2. The dimensions in parentheses are for reference.  
 3. Reel to JIS C 0806. (Packaging of components for automatic handling)  
 4. The dimensions are Vacuum area

3	PA	UL94V-0(BLACK)	6	PS	Reel . Black
2	Copper alloy	Surface : Au plating 0.76 μm MIN Under plating : Nickel plating 0.5 μm MIN	5	Polyester	Clear [Cover tape]
1	LCP	UL94V-0(BLACK)	4	PS	Clear [Embossed carrier tape]
NO.	MATERIAL	FINISH . REMARKS	NO.	MATERIAL	FINISH . REMARKS
UNITS mm		SCALE 2 : 1	COUNT 2	DESCRIPTION OF REVISIONS DIS-H-00002832	
APPROVED : HS. OKAWA 16.12.09			DESIGNED	CHECKED	
CHECKED : YN. TAKASHITA 16.12.08			SZ. ONO	ST. WADA	
DESIGNED : SANGMUK. LIM 16.12.08			DATE 17.05.18		
DRAWN : SANGMUK. LIM 16.12.08			DRAWING NO. EDC-367034-52-01		
HRS HIROSE ELECTRIC CO., LTD.			PART NO. DF63SF-3P-3.96TV(52)		
			CODE NO. CL680-0701-0-52		
			1/2		

Oct.1.2019 Copyright 2019 HIROSE ELECTRIC CO., LTD. All Rights Reserved.  
 In case of consideration for using Automotive equipment / device which demand high reliability, kindly contact our sales window correspondents.



Style and dimension of reel (Free)

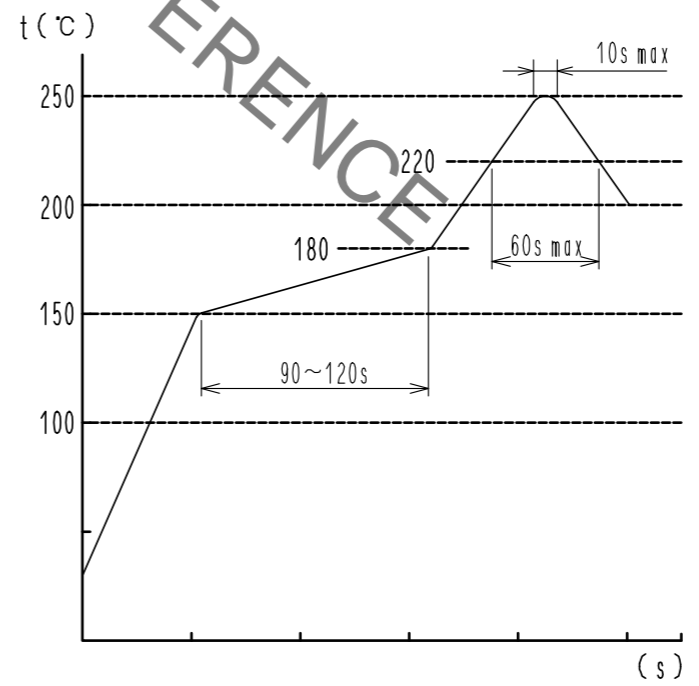


Detail of part No. label

生産月日	年 月 日
図 番	CL680-****-***
品 名	DF63SF-3P-3.96TV(52)
納入数量	450 K0
納入者	ヒロセ電機(株)

Supplier  
 Quantity  
 Part No.  
 Code No.  
 Date of manufactured

Reflow temperature profile using lead-free solder paste (Reference)



Number of reflow cycles 2 cycles max.  
 Do not reflow upside down.  
 The temperature is measured in the terminal lead part.  
 Additional factors, such as solder paste type, PCB size and other mounted components could affect the profile, therefore, a thorough evaluation of mounting condition is required prior to production. Temperature is measured at contact lead.

<b>HRS</b>	DRAWING NO.	EDC-367034-52-01
	PART NO.	DF63SF-3P-3.96TV(52)
	CODE NO.	CL680-0701-0-52
		2/2