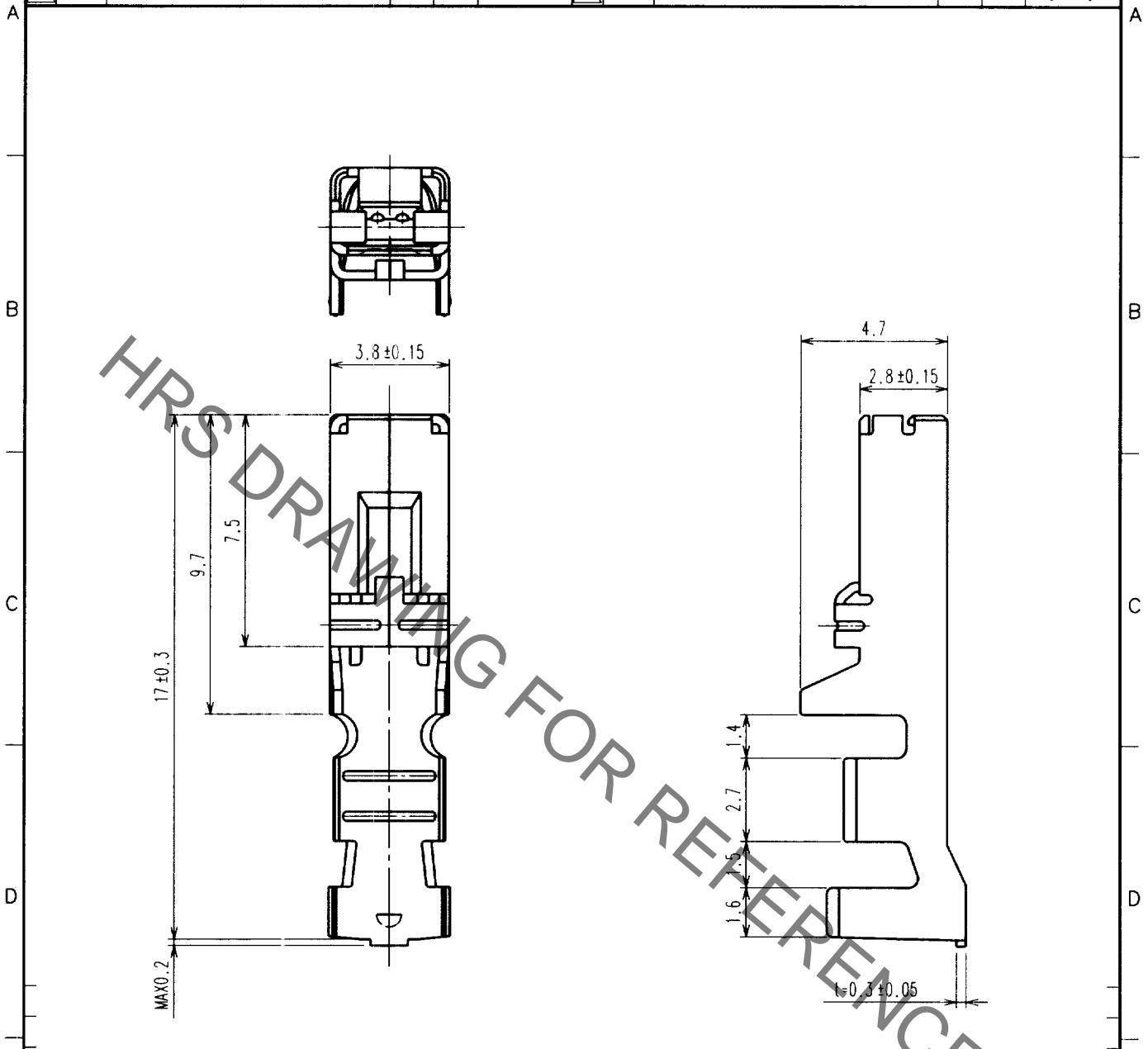


Oct.1.2019 Copyright 2019 HIROSE ELECTRIC CO., LTD. All Rights Reserved.  
 In case of consideration for using Automotive equipment / device which demand high reliability, kindly contact our sales window correspondents.

1	2	3	4						
COUNT	DESCRIPTION OF REVISIONS	BY	CHKD	DATE	COUNT	DESCRIPTION OF REVISIONS	BY	CHKD	DATE
△					△				. .
△					△				. .
△					△				. .



NOTES 1. TOLERANCES TO BE  $\pm 0.2$  UNLESS OTHERWISE SPECIFIED.  
 2. 1 PACK CONSISTS OF 100 CONTACTS.  
 3. C-UL (FILE NO. E52653),  
 TÜV (FILE NO. R9950703) APPROVED PRODUCT.



NO.		MATERIAL		FINISH, REMARKS		1		COPPER ALLOY		TIN PLATED	
CODE NO. (OLD)		DRAWN		DESIGNED		CHECKED		APPROVED		RELEASED	
CL?		<i>T. Miyagaki</i>		<i>T. Miyagaki</i>		<i>K. Aoyama</i>		<i>K. Katayama</i>			
		'00. 3. 1		'00. 3. 1		'00. 3. 1		'00. 3. 2			
DRAWING NO.		PART NO.		CODE NO.						1	
EDC4-163016		DF22-1416SC		CL680-1001-6						1	
SCALE		UNITS		HRS		HIROSE ELECTRIC CO., LTD.				1	
5 : 1		mm								1	

TO