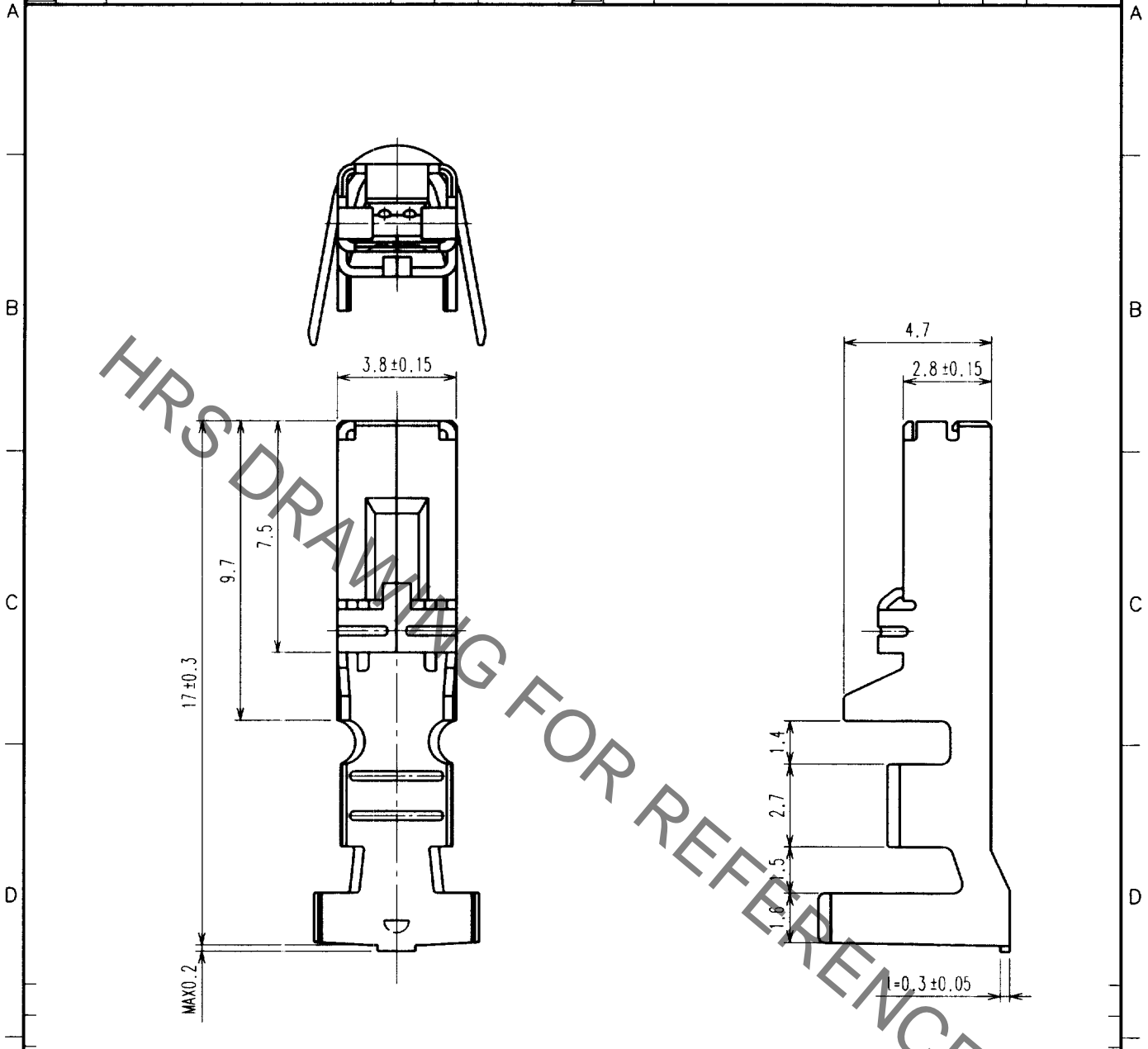


Apr.1.2020 Copyright 2020 HIROSE ELECTRIC CO., LTD. All Rights Reserved.
 In case of consideration for using Automotive equipment / device which demand high reliability, kindly contact our sales window correspondents.

1	2				3				4					
COUNT	DESCRIPTION OF REVISIONS	BY	CHKD	DATE	COUNT	DESCRIPTION OF REVISIONS	BY	CHKD	DATE	COUNT	DESCRIPTION OF REVISIONS	BY	CHKD	DATE
△					△					△				
△					△					△				
△					△					△				



NOTES 1. TOLERANCES TO BE ± 0.2 UNLESS OTHERWISE SPECIFIED.
 2. 1 PACK CONSISTS OF 100 CONTACTS.
 3. C-UL (FILE NO. E52653), TÜV (FILE NO. R9950703) APPROVED PRODUCT.



NO. MATERIAL FINISH, REMARKS		1 COPPER ALLOY TIN PLATED	
CODE NO. (OLD) CL		FINISH, REMARKS	
DRAWN		DESIGNED	
CHECKED		APPROVED	
RELEASED			
DRAWING NO. EDC4-163018		PART NO. DF22A-1416SC	
SACLE 5 : 1		CODE NO. CL680-1003-1	
UNITS mm		1/1	

TO