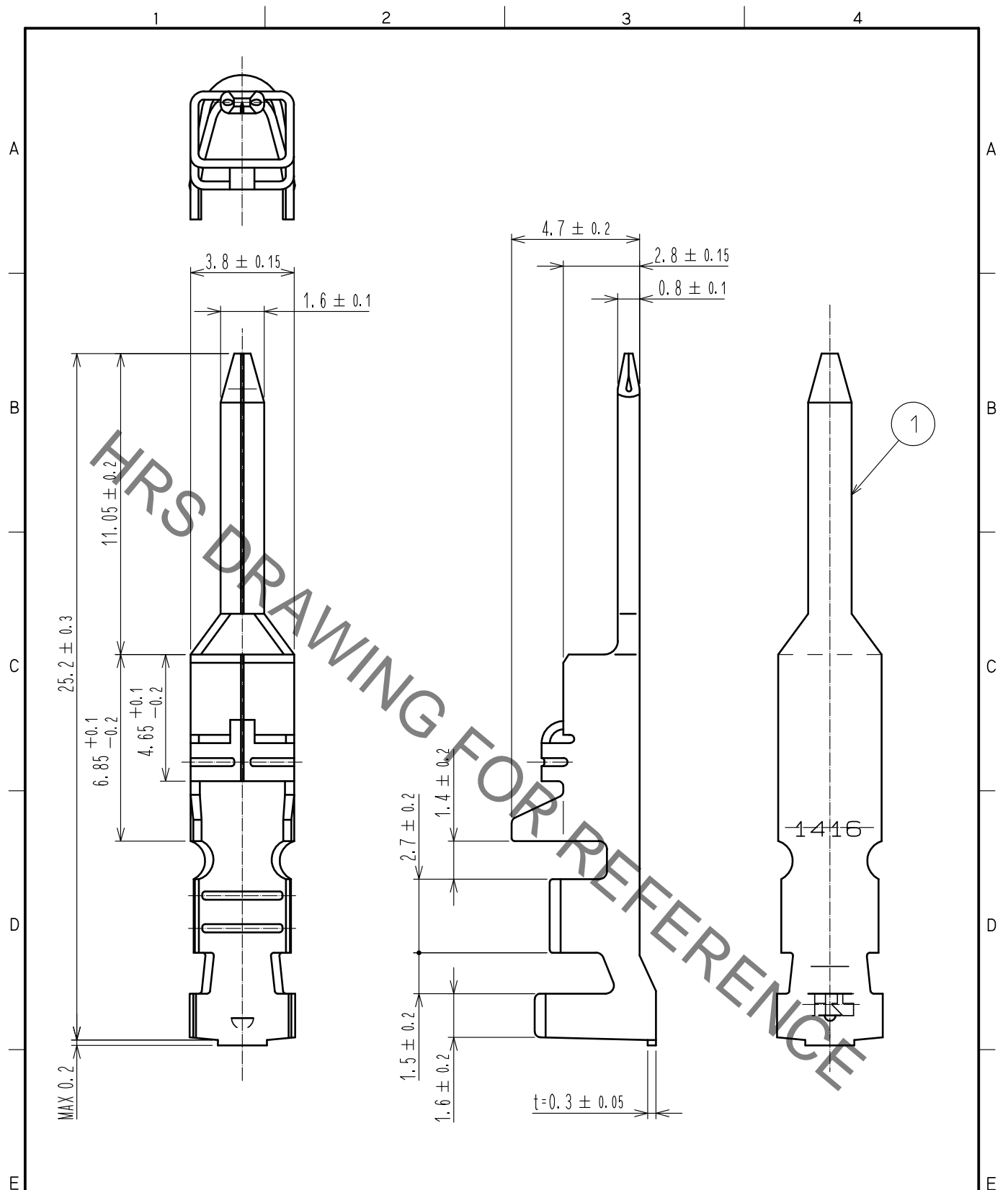


Sep.1.2019 Copyright 2019 HIROSE ELECTRIC CO., LTD. All Rights Reserved.
 In case of consideration for using Automotive equipment / device which demand high reliability, kindly contact our sales window correspondents.



Notes 1. 100 pieces per pack.

NO.		MATERIAL		FINISH . REMARKS		NO.		MATERIAL		FINISH . REMARKS	
1		Copper Alloy		surface plating: Tin plated 1μm min Under plating: Copper plating 0.5μm min							
UNITS mm			SCALE 5 : 1	COUNT 	DESCRIPTION OF REVISIONS			DESIGNED	CHECKED	DATE	
HIROSE ELECTRIC CO., LTD.			APPROVED : KI. AKIYAMA	15.06.11	DRAWING NO.			EDC-163623-00-00			
			CHECKED : TS. FUKUSHIMA	15.06.11	PART NO.			DF22-1416PC			
			DESIGNED : HT. SATO	15.06.11	CODE NO.			CL680-1080-2-00			
			DRAWN : MI. SAKIMURA	15.06.11				1/1			