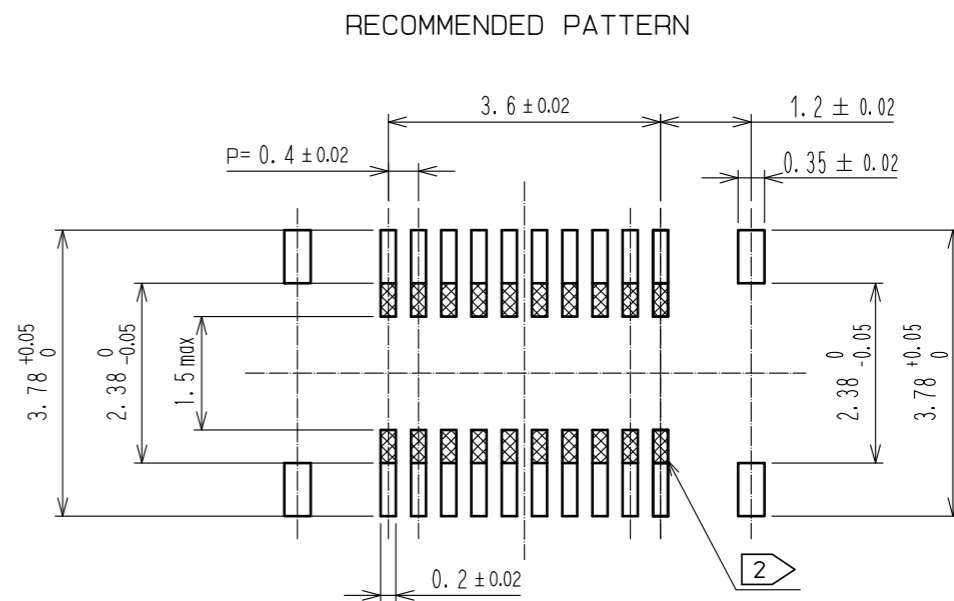
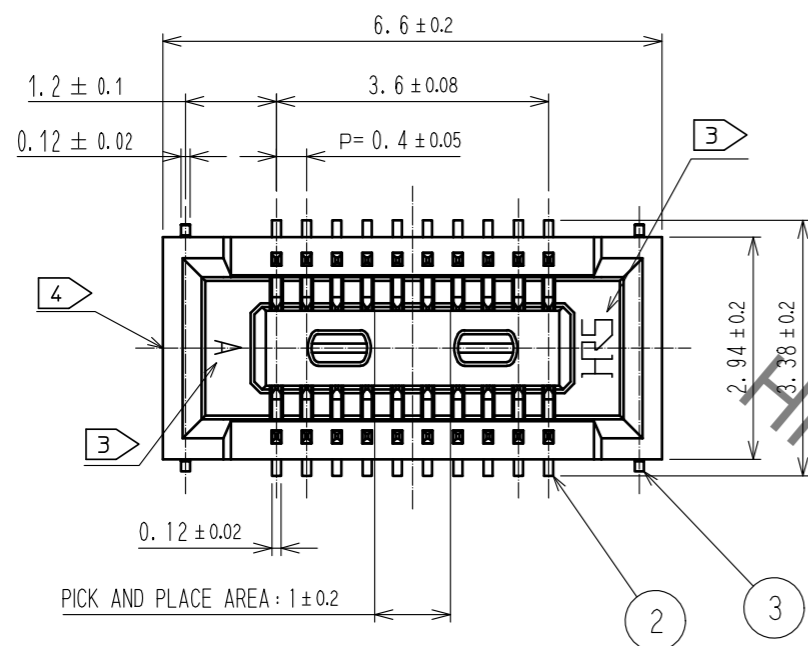
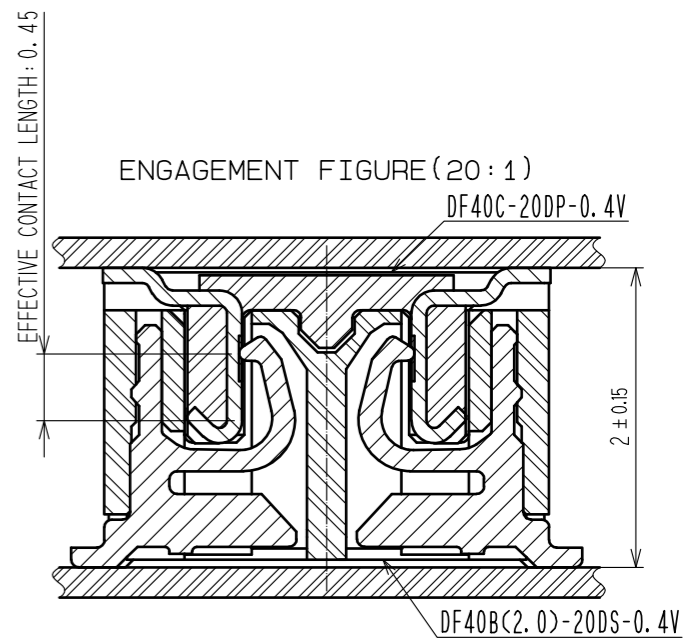
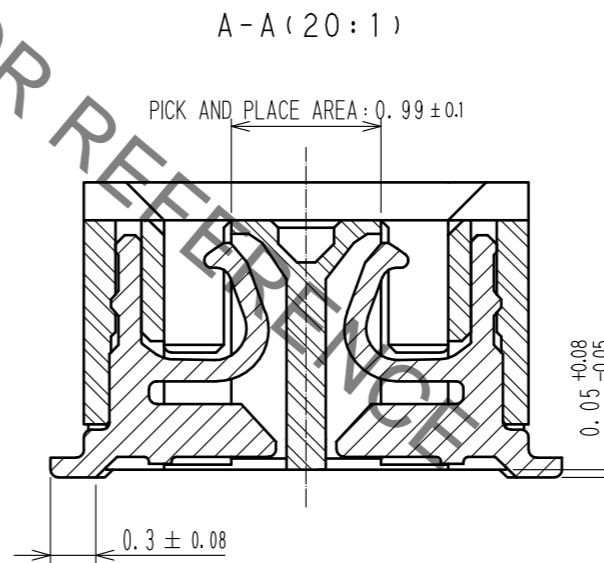
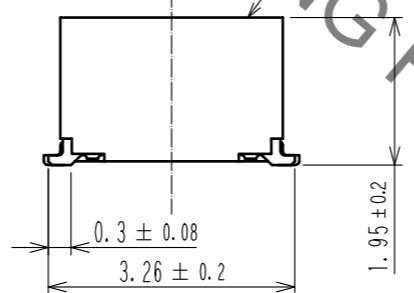
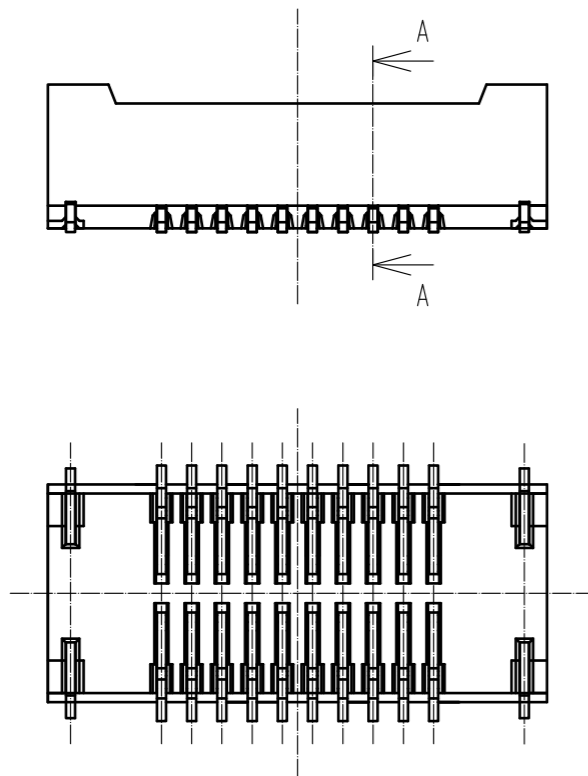


Jan.1.2021 Copyright 2021 HIROSE ELECTRIC CO., LTD. All Rights Reserved.
 In case of consideration for using Automotive equipment / device which demand high reliability, kindly contact our sales window correspondents.



RECOMMENDED METAL MASK THICKNESS : 120µm
 RECOMMENDED METAL MASK OPENING RATIO : 80% FOR LEAD PAD

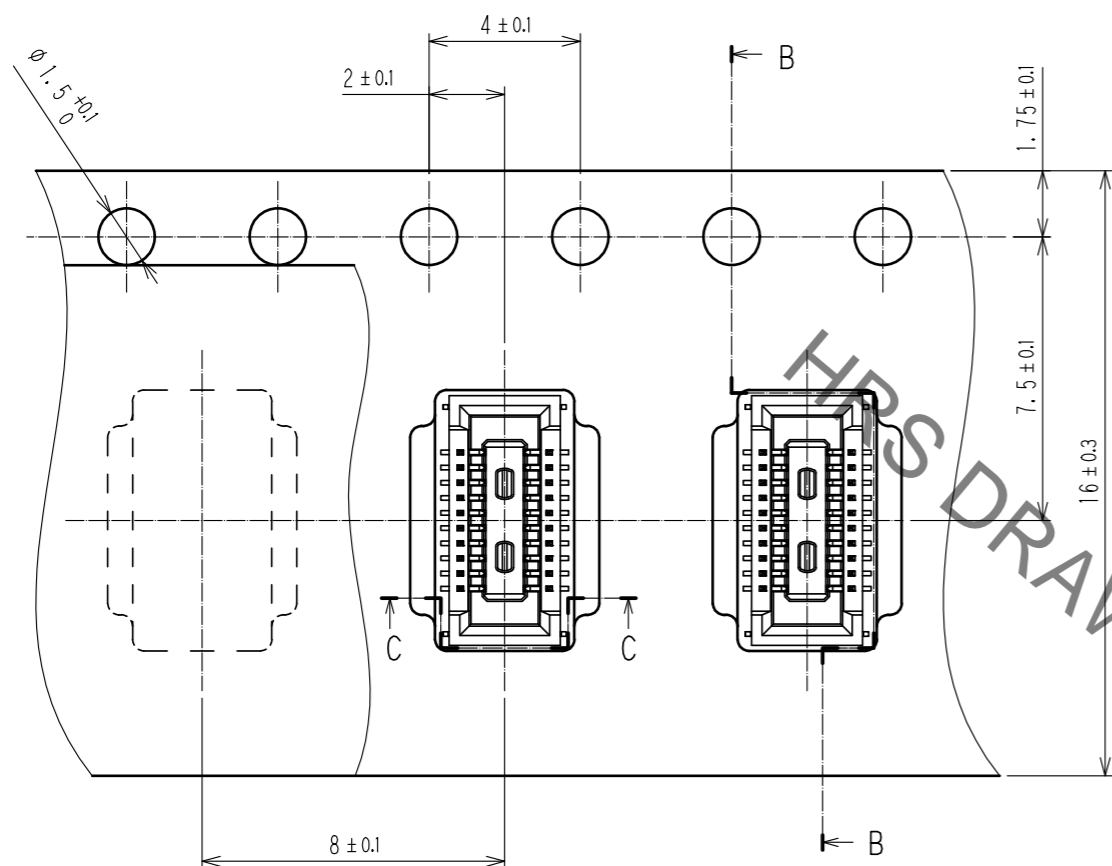


NOTES) 1. ALL LEADS AND REINFORCED METAL FITTINGS CO-PLANARITY SHALL BE 0.1MAX.
 2. IS NO PATTERN AREA OTHER THAN THE SAME CIRCUIT.
 3. HRS MARK AND CAV NO. ARE LOCATED IN APPROXIMAL AREA.
 4. GATE POSITIONS IS LOCATED IN APPROXIMAL AREA.
 A PART OF THE WALL MAY BE NOTCHED FOR SETTING GATE.

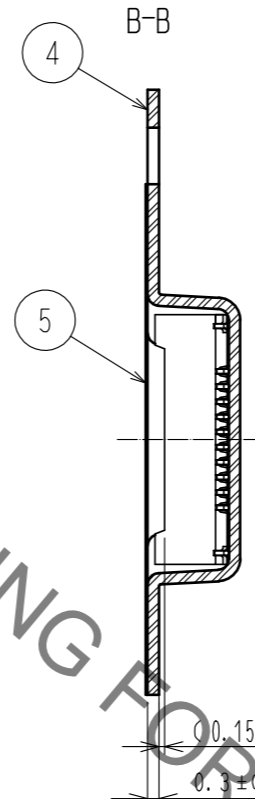
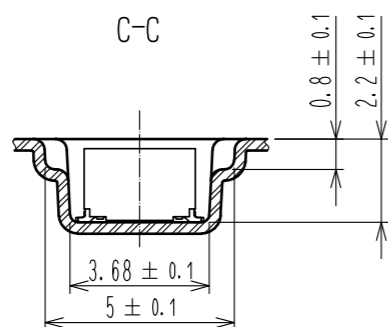
2	PHOSPHOR BRONZE	CONTACT AREA:GOLD 0.1µm MIN SMT LEAD:GOLD 0.05µm MIN UNDERPLATING:NICKEL 1µm MIN	7	PS	CLEAR, REINFORCEMENT COLLAR		
1	LCP	UL94V-0, BLACK	6	PS	BLACK, PLASTIC REEL		
			5	POLYESTER	CLEAR, COVER TAPE		
			4	PS	CLEAR, EMBOSSED CARRIER TAPE		
			3	PHOSPHOR BRONZE	SURFACE:GOLD 0.05µm MIN UNDERPLATING:NICKEL 1µm MIN		
NO.	MATERIAL	FINISH, REMARKS	NO.	MATERIAL	FINISH, REMARKS		
UNITS mm		SCALE 10:1	COUNT	DESCRIPTION OF REVISIONS	DESIGNED	CHECKED	DATE
HRS HIROSE ELECTRIC CO., LTD.		APPROVED : WR. FUKUCHI	20200220	DRAWING NO. EDC-354974-75-02			
		CHECED : TS. MIYAZAKI	20200220	PART NO. DF40B(2.0)-20DS-0.4V(75)			
		DESIGNED : RH. KAGAMI	20200220	CODE NO. CL684-4213-6-75			
		DRAWN : RH. KAGAMI	20200220				

Jan.1.2021 Copyright 2021 HIROSE ELECTRIC CO., LTD. All Rights Reserved.
 In case of consideration for using Automotive equipment / device which demand high reliability, kindly contact our sales window correspondents.

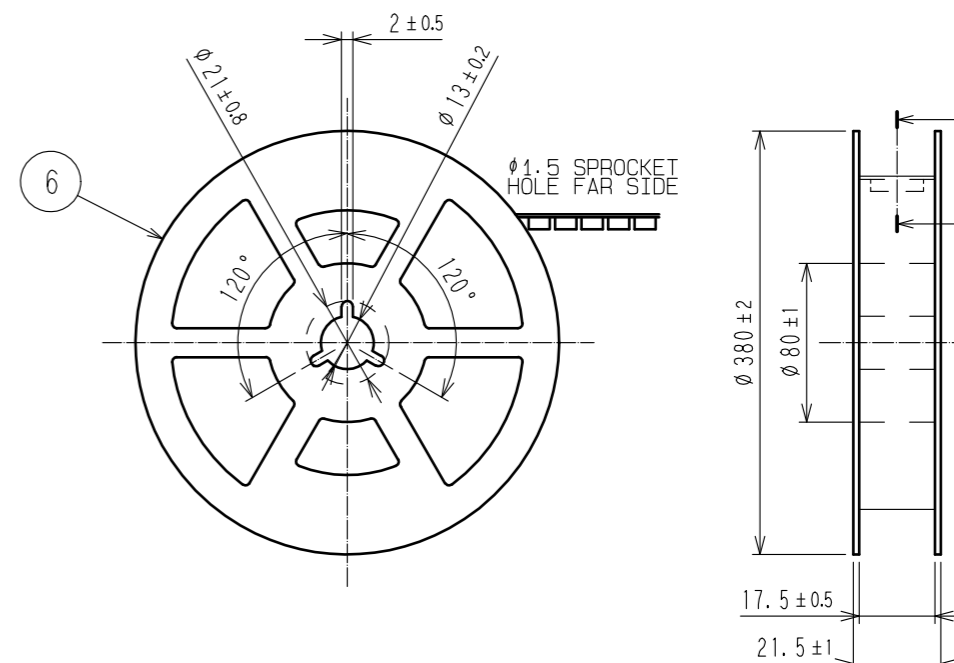
EMBOSSED CARRIER TAPE DIMENSIONS (5:1)



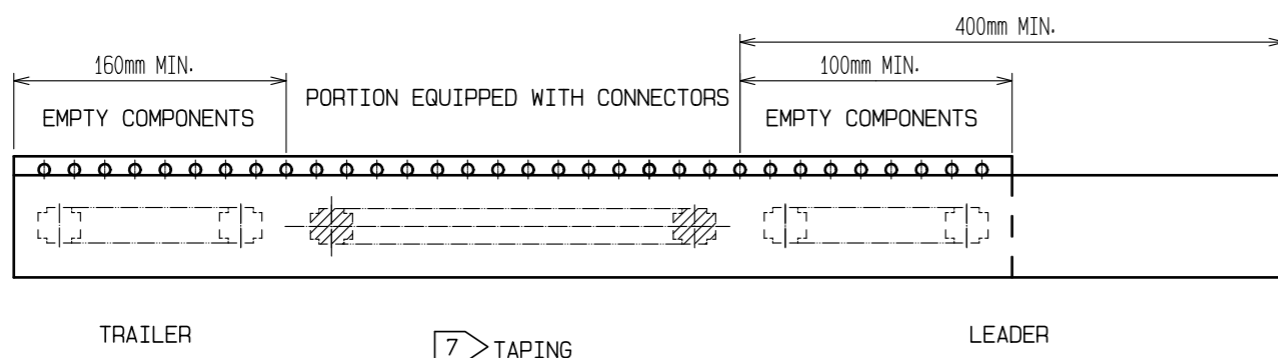
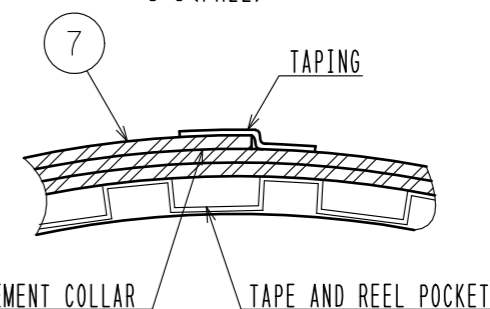
DIRECTION OF UNREELING →



STYLE AND DIMENSION OF REEL (FREE)



D-D(FREE)



- NOTES) 5. PER REEL 4000 CONNECTORS.
 6. THE DIMENSIONS IN PARENTHESES ARE FOR REFERENCE.
 7. REFER TO JIS C 0806(IEC 60286-3)(PACKING OF COMPONENTS FOR AUTOMATIC HANDLING)
 8. AFTER PACKAGING, ROLL 2 METERS OF THE REINFORCEMENT COLLAR TO OUTER CIRCUMFERENCE OF TAPE AND REEL POCKET. AND TAPE DOWN AT THE END THE COLLAR.

HRS	DRAWING NO.	EDC-354974-75-02
	PART NO.	DF40B(2.0)-20DS-0.4V(75)
	CODE NO.	CL684-4213-6-75
		2/2