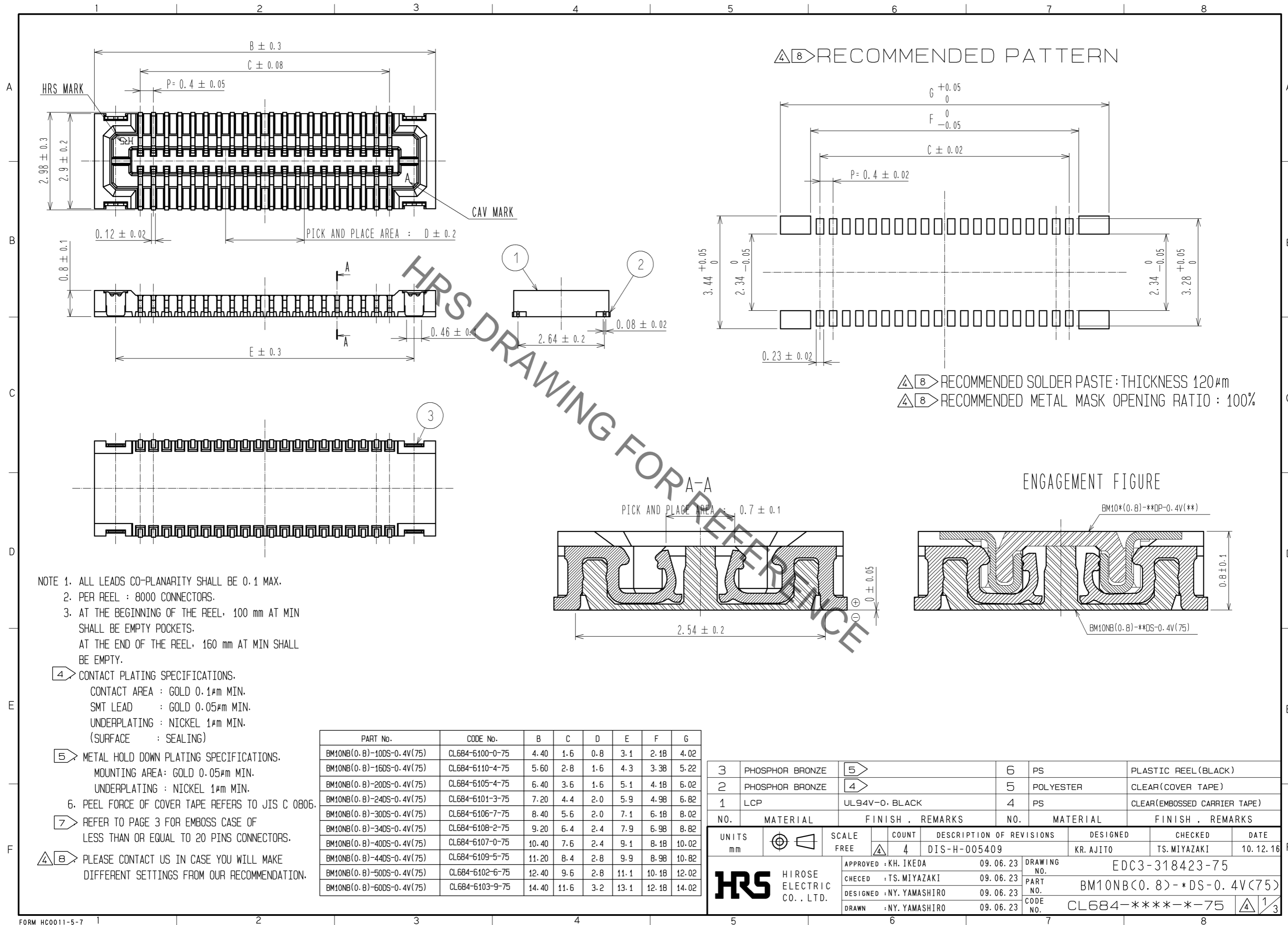


Jun.1.2020 Copyright 2020 HIROSE ELECTRIC CO., LTD. All Rights Reserved.
In case of consideration for using Automotive equipment / device which demand high reliability, kindly contact our sales window correspondents.



NOTE 1. ALL LEADS CO-PLANARITY SHALL BE 0.1 MAX.
 2. PER REEL : 8000 CONNECTORS.
 3. AT THE BEGINNING OF THE REEL, 100 mm AT MIN SHALL BE EMPTY POCKETS.
 AT THE END OF THE REEL, 160 mm AT MIN SHALL BE EMPTY.

4 CONTACT PLATING SPECIFICATIONS.
 CONTACT AREA : GOLD 0.1μm MIN.
 SMT LEAD : GOLD 0.05μm MIN.
 UNDERPLATING : NICKEL 1μm MIN.
 (SURFACE : SEALING)

5 METAL HOLD DOWN PLATING SPECIFICATIONS.
 MOUNTING AREA: GOLD 0.05μm MIN.
 UNDERPLATING : NICKEL 1μm MIN.

6. PEEL FORCE OF COVER TAPE REFERS TO JIS C 0806.

7 REFER TO PAGE 3 FOR EMBOSS CASE OF LESS THAN OR EQUAL TO 20 PINS CONNECTORS.

8 PLEASE CONTACT US IN CASE YOU WILL MAKE DIFFERENT SETTINGS FROM OUR RECOMMENDATION.

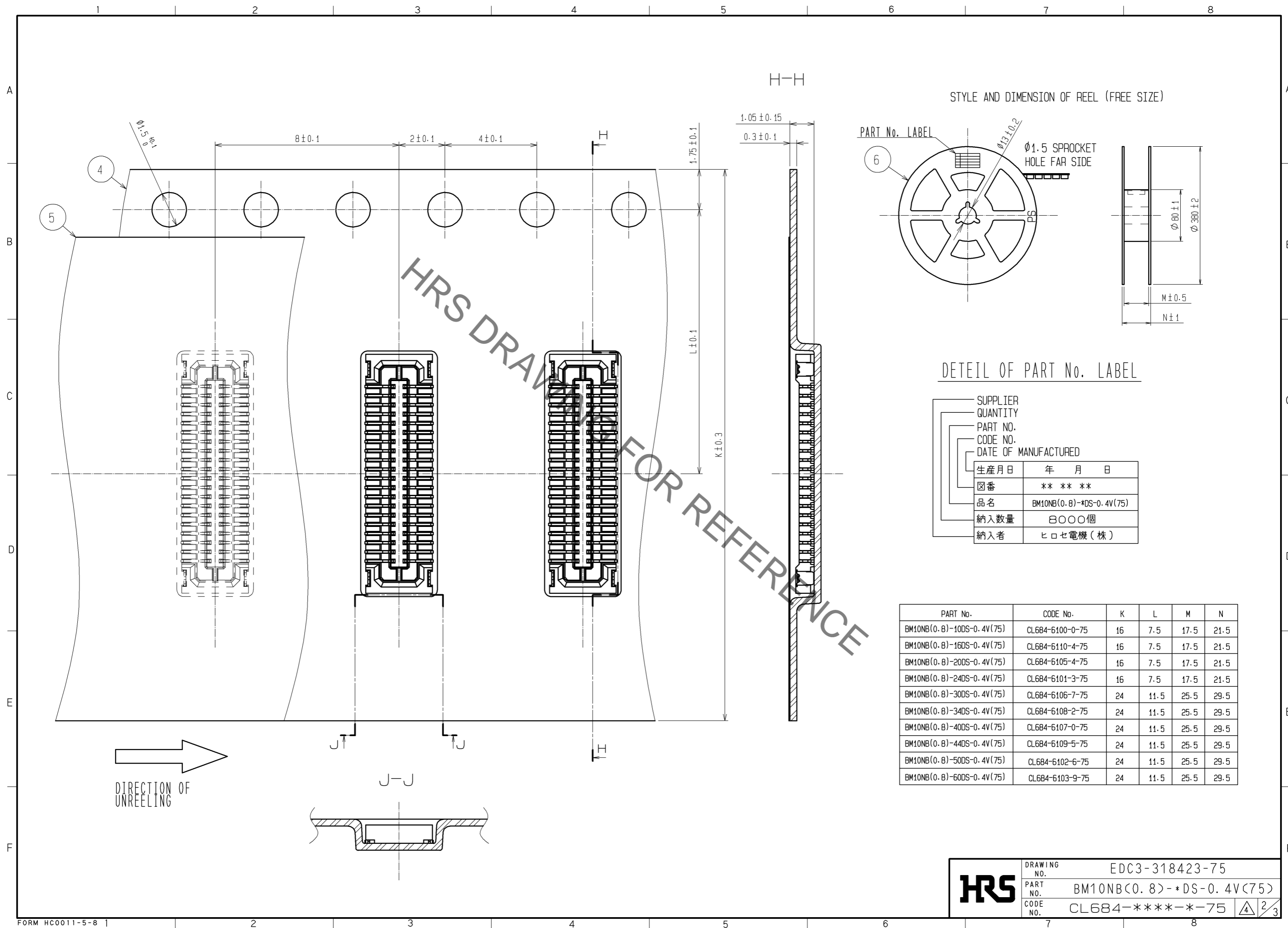
PART No.	CODE No.	B	C	D	E	F	G
BM10NB(0.8)-10DS-0.4V(75)	CL684-6100-0-75	4.40	1.6	0.8	3.1	2.18	4.02
BM10NB(0.8)-16DS-0.4V(75)	CL684-6110-4-75	5.60	2.8	1.6	4.3	3.38	5.22
BM10NB(0.8)-20DS-0.4V(75)	CL684-6105-4-75	6.40	3.6	1.6	5.1	4.18	6.02
BM10NB(0.8)-24DS-0.4V(75)	CL684-6101-3-75	7.20	4.4	2.0	5.9	4.98	6.82
BM10NB(0.8)-30DS-0.4V(75)	CL684-6106-7-75	8.40	5.6	2.0	7.1	6.18	8.02
BM10NB(0.8)-34DS-0.4V(75)	CL684-6108-2-75	9.20	6.4	2.4	7.9	6.98	8.82
BM10NB(0.8)-40DS-0.4V(75)	CL684-6107-0-75	10.40	7.6	2.4	9.1	8.18	10.02
BM10NB(0.8)-44DS-0.4V(75)	CL684-6109-5-75	11.20	8.4	2.8	9.9	8.98	10.82
BM10NB(0.8)-50DS-0.4V(75)	CL684-6102-6-75	12.40	9.6	2.8	11.1	10.18	12.02
BM10NB(0.8)-60DS-0.4V(75)	CL684-6103-9-75	14.40	11.6	3.2	13.1	12.18	14.02

NO.	MATERIAL	FINISH	REMARKS	NO.	MATERIAL	FINISH	REMARKS
3	PHOSPHOR BRONZE	5		6	PS		PLASTIC REEL (BLACK)
2	PHOSPHOR BRONZE	4		5	POLYESTER		CLEAR (COVER TAPE)
1	LCP		UL94V-0, BLACK	4	PS		CLEAR (EMBOSSED CARRIER TAPE)

UNITS	SCALE	COUNT	DESCRIPTION OF REVISIONS	DESIGNED	CHECKED	DATE
mm	FREE	4	DIS-H-005409	KR. AJITO	TS. MIYAZAKI	10.12.16

APPROVED	CHECED	DESIGNED	DRAWN	DRAWING NO.	PART NO.	CODE NO.
KH. IKEDA	TS. MIYAZAKI	NY. YAMASHIRO	NY. YAMASHIRO	EDC3-318423-75	BM10NB(0.8)-*DS-0.4V(75)	CL684-***-*-75

Jun.1.2020 Copyright 2020 HIROSE ELECTRIC CO., LTD. All Rights Reserved.
 In case of consideration for using Automotive equipment / device which demand high reliability, kindly contact our sales window correspondents.



HRS

DRAWING NO. EDC3-318423-75

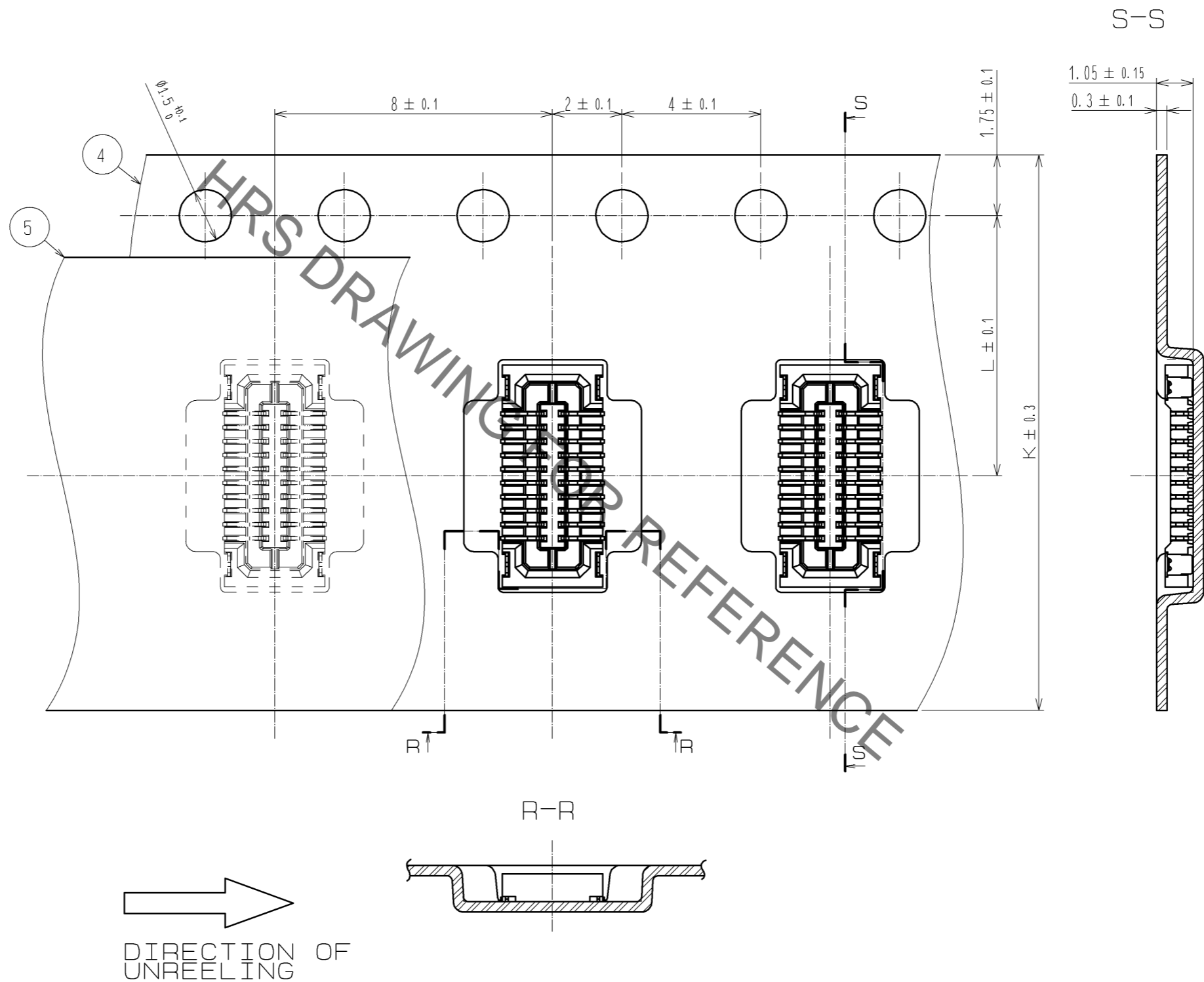
PART NO. BM10NB(0.8)-*DS-0.4V(75)

CODE NO. CL684-****-*-75

2/3

Jun.1.2020 Copyright 2020 HIROSE ELECTRIC CO., LTD. All Rights Reserved.
In case of consideration for using Automotive equipment / device which demand high reliability, kindly contact our sales window correspondents.

7 EMBOSS CASE OF LESS THAN OR EQUAL TO 20 PINS CONNECTORS



DIRECTION OF UNREELING

HRS	DRAWING NO.	EDC3-318423-75
	PART NO.	BM10NB(0.8)-*DS-0.4V(75)
	CODE NO.	CL684-****-*75

4/3