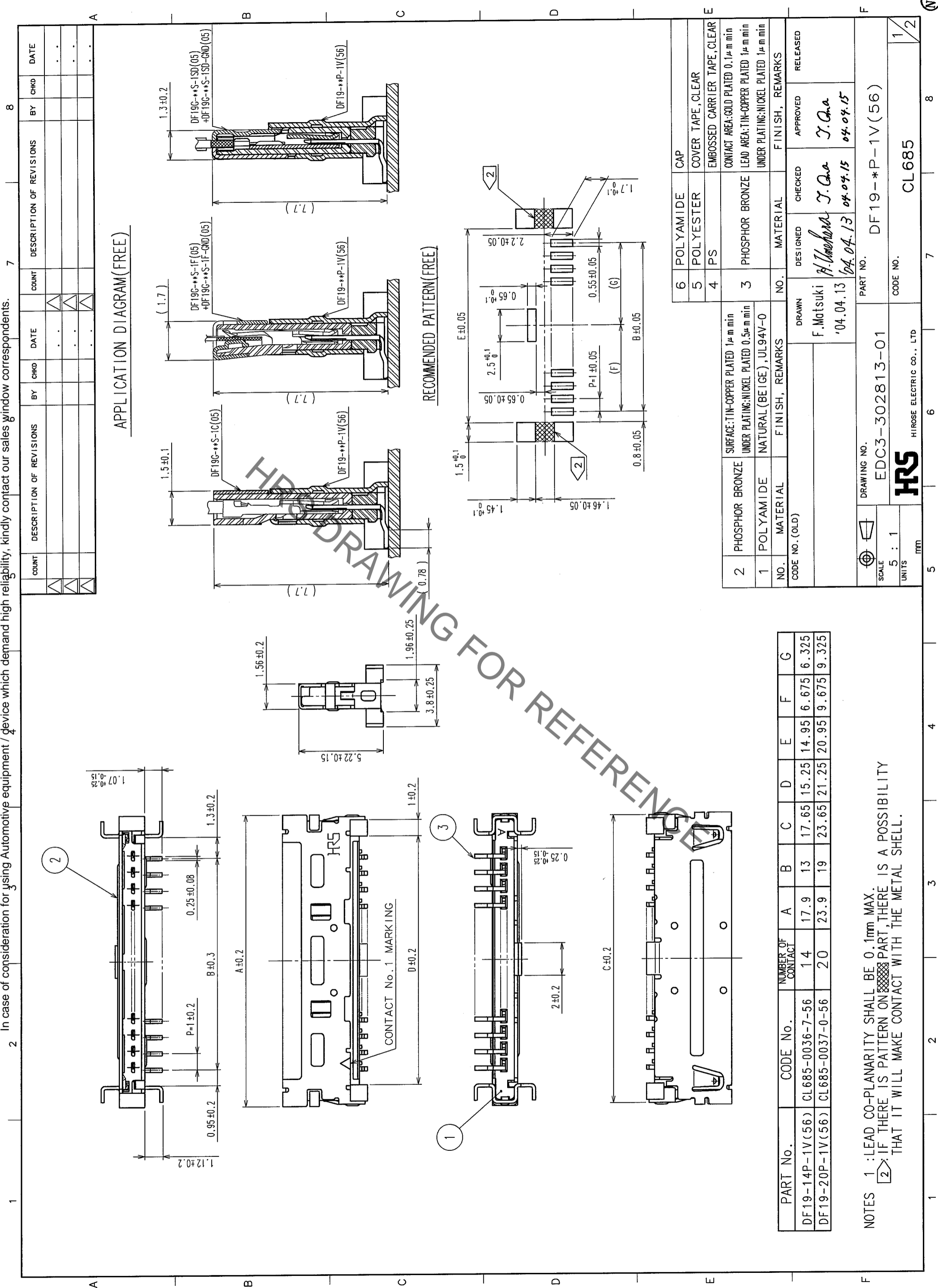


In case of consideration for using Automotive equipment / device which demand high reliability, kindly contact our sales window correspondents.



APPLICATION DIAGRAM(FREE)

RECOMMENDED PATTERN(FREE)

COUNT	DESCRIPTION OF REVISIONS	BY	CHKD	DATE	COUNT	DESCRIPTION OF REVISIONS	BY	CHKD	DATE

NO.	MATERIAL	FINISH, REMARKS	NO.	MATERIAL	FINISH, REMARKS
2	PHOSPHOR BRONZE	SURFACE:TIN-COPPER PLATED 1μm min UNDER PLATING:NICKEL PLATED 0.5μm min	3	PHOSPHOR BRONZE	CONTACT AREA:GOLD PLATED 0.1μm min LEAD AREA:TIN-COPPER PLATED 1μm min
1	POLYAMIDE	NATURAL (BEIGE), UL94V-0	4	PS	UNDER PLATING:NICKEL PLATED 1μm min
6	POLYAMIDE	CAP	5	POLYESTER	COVER TAPE, CLEAR
			4		EMBOSSED CARRIER TAPE, CLEAR

NO.	MATERIAL	FINISH, REMARKS	NO.	MATERIAL	FINISH, REMARKS
2	PHOSPHOR BRONZE	SURFACE:TIN-COPPER PLATED 1μm min UNDER PLATING:NICKEL PLATED 0.5μm min	3	PHOSPHOR BRONZE	CONTACT AREA:GOLD PLATED 0.1μm min LEAD AREA:TIN-COPPER PLATED 1μm min
1	POLYAMIDE	NATURAL (BEIGE), UL94V-0	4	PS	UNDER PLATING:NICKEL PLATED 1μm min

PART No.	CODE No.	NUMBER OF CONTACT	A	B	C	D	E	F	G
DF19-14P-1V(56)	CL685-0036-7-56	14	17.9	13	17.65	15.25	14.95	6.675	6.325
DF19-20P-1V(56)	CL685-0037-0-56	20	23.9	19	23.65	21.25	20.95	9.675	9.325

NOTES 1: LEAD CO-PLANARITY SHALL BE 0.1mm MAX.  
2: IF THERE IS PATTERN ON PART, THERE IS A POSSIBILITY THAT IT WILL MAKE CONTACT WITH THE METAL SHELL.

DRAWING NO.	EDC3-302813-01	PART NO.	DF19-P-1V(56)
SCALE	5 : 1	CODE NO.	CL685
UNITS	mm		

TO	



HIROSE ELECTRIC CO., LTD

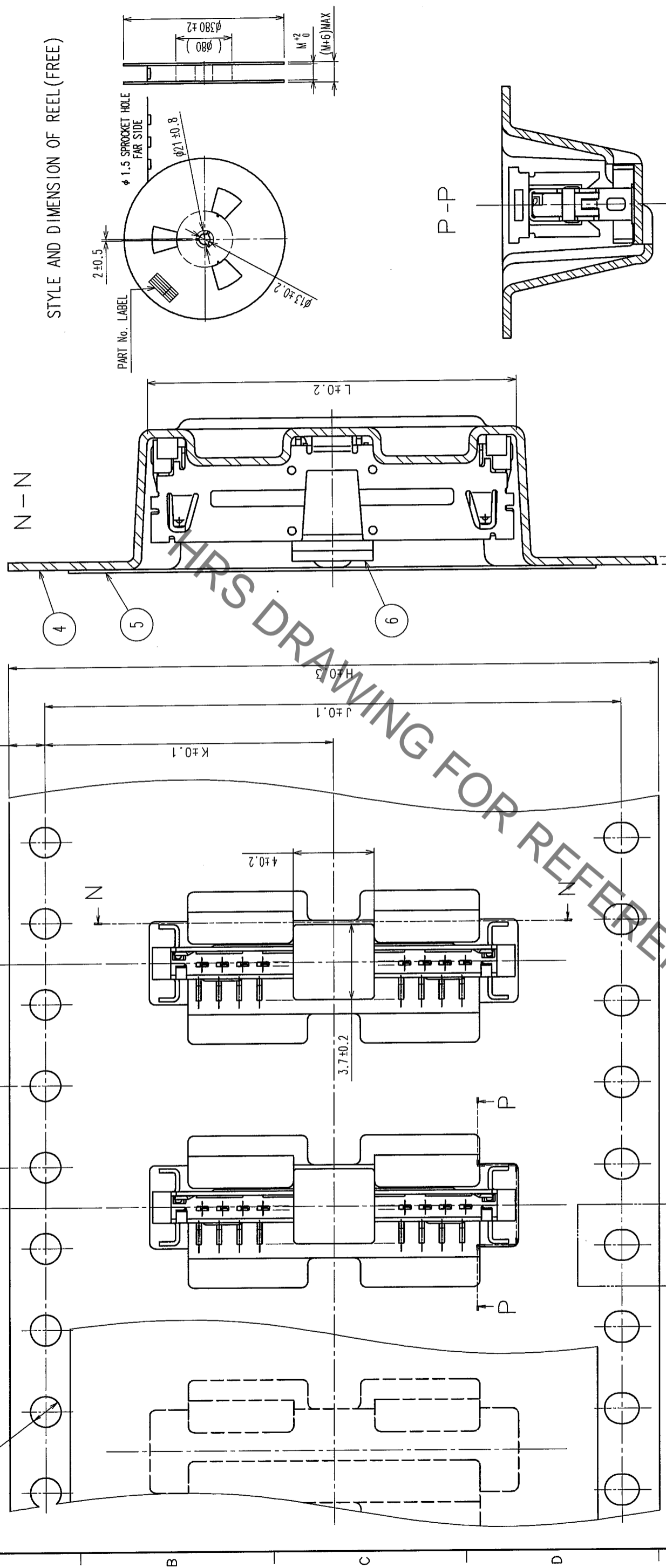
CL685

1/2

NC

Oct.1.2019 Copyright 2019 HIROSE ELECTRIC CO., LTD. All Rights Reserved.  
 In case of consideration for using Automotive equipment / device which demand high reliability, kindly contact our sales window correspondents.

COUNT	DESCRIPTION OF REVISIONS	BY	CHKD	DATE	COUNT	DESCRIPTION OF REVISIONS	BY	CHKD	DATE



NOTES  
 3 : 1 REEL 1000 CONNECTORS.  
 4 : AT THE BEGINNING OF THE REEL, 30 COMPONENTS SHALL BE EMPTY.  
 AT THE END OF THE REEL, 20 COMPONENTS SHALL BE EMPTY.  
 5 : DETAIL OF PART No. LABEL IS WRITTEN IN JAPANESE.

FR:EE  
 UNITS: mm

SUPPLIER QUANTITY PART No. CODE No. DATE OF MANUFACTURED

生産月日	年 月 日
図番	CL685-***-**-**
品名	DF19-P-1V(56)
納入数量	1000K $\phi$
納入者	ヒロセ電機株式会社

TO	
----	--

CODE NO. (OLD)	DRAWN	DESIGNED	CHECKED	APPROVED	RELEASED
	F. Matsuki '04.04.13	H. Imahara 04-04-13	J. Oka 04-04-15	J. Oka 04-04-15	
DRAWING NO.	PART NO.				
EDC3-302813-01	DF19-*P-1V(56)				
SCALE	FR:EE				
UNITS	mm				
HIROSE ELECTRIC CO., LTD		CL685		2	

PART No.	CODE No.	NUMBER OF CONTACT	H	J	K	L	M
DF19-14P-1V(56)	CL685-0036-7-56	14	32	28.4	14.2	18.2	32.4
DF19-20P-1H(56)	CL685-0037-0-56	20	44	40.4	20.2	24.2	44.4