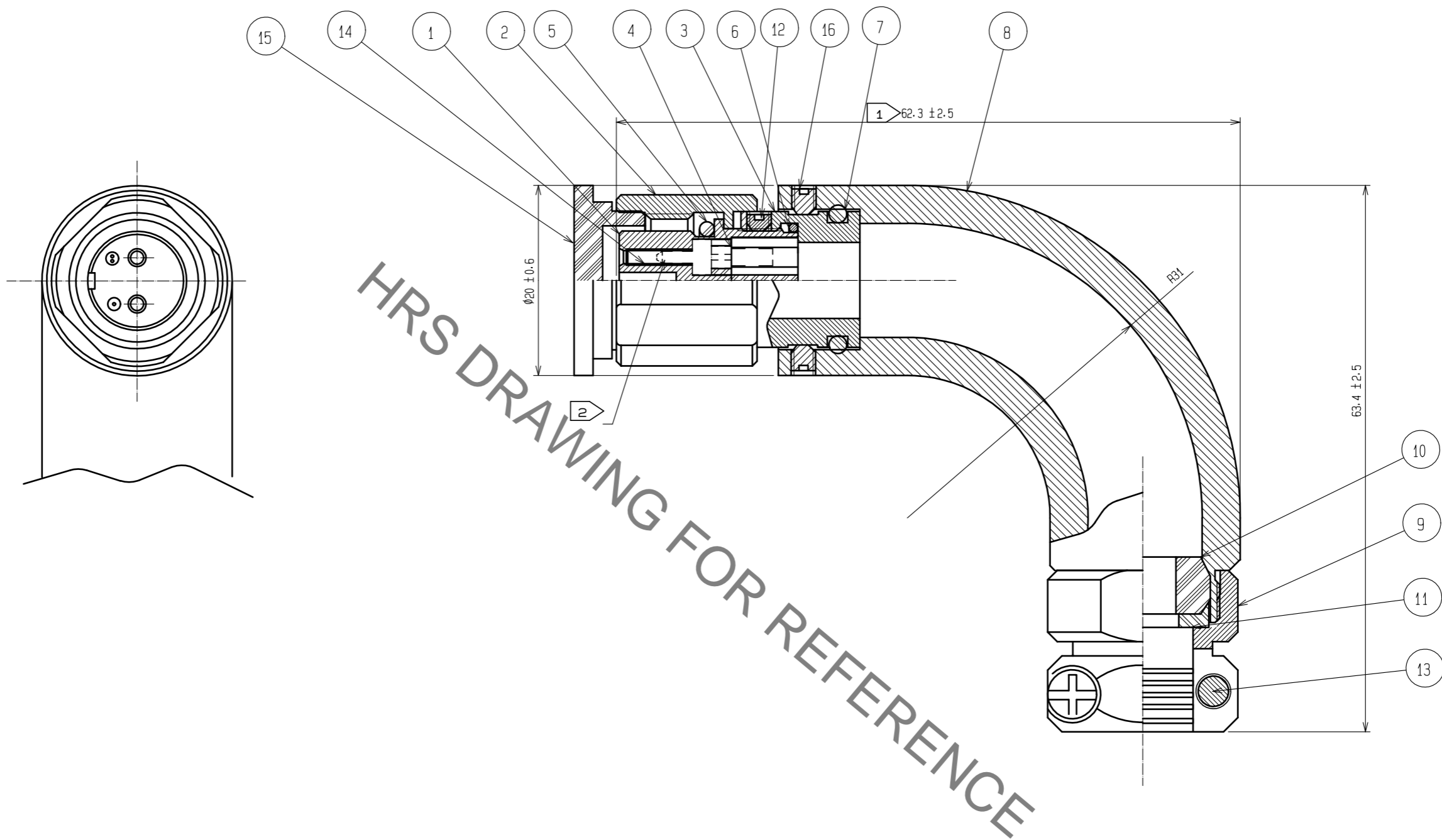


Nov.1.2019 Copyright 2019 HIROSE ELECTRIC CO., LTD. All Rights Reserved.
In case of consideration for using Automotive equipment / device which demand high reliability, kindly contact our sales window correspondents.



Note ① This dimension shows after assembling.
 ② This part is not contained. Please use an optional simplified plug(no boot).
 3.the clamp torque of ref no.2 to be 1.5~3n.m.

| 8 | Aluminum alloy | Anodic oxide coating | 16 | Stainless steel | |
|-----|------------------|----------------------|-----|------------------|----------------------|
| 7 | Synthetic rubber | | 15 | Silicon rubber | |
| 6 | Synthetic rubber | | 14 | Zirconia | |
| 5 | Synthetic rubber | | 13 | Stainless steel | Nyrock |
| 4 | Synthetic resin | | 12 | Aluminum alloy | Anodic oxide coating |
| 3 | Aluminum alloy | Anodic oxide coating | 11 | Synthetic resin | |
| 2 | Brass | Chrome plating | 10 | Synthetic rubber | |
| 1 | Zinc diecast | Chrome plating | 9 | Brass | Chrome plating |
| NO. | MATERIAL | FINISH . REMARKS | NO. | MATERIAL | FINISH . REMARKS |

| | | | | | | | |
|---------------------------|--|----------------|-----------|---|---|---------|------|
| UNITS mm | | SCALE 2 : 1 | COUNT | DESCRIPTION OF REVISIONS | DESIGNED | CHECKED | DATE |
| HIROSE ELECTRIC CO., LTD. | | | | APPROVED : MT. SHIBUTANI 18.03.27 CHECKED : MT. SHIBUTANI 18.03.27 DESIGNED : SI. MATSUMOTO 18.03.27 DRAWN : SR. TOYOKAWA 18.03.27 | DRAWING NO. EDC-176104-32-00 PART NO. MF10S-WLP6C02-0200(32) CODE NO. CL709-0516-8-32 | | |