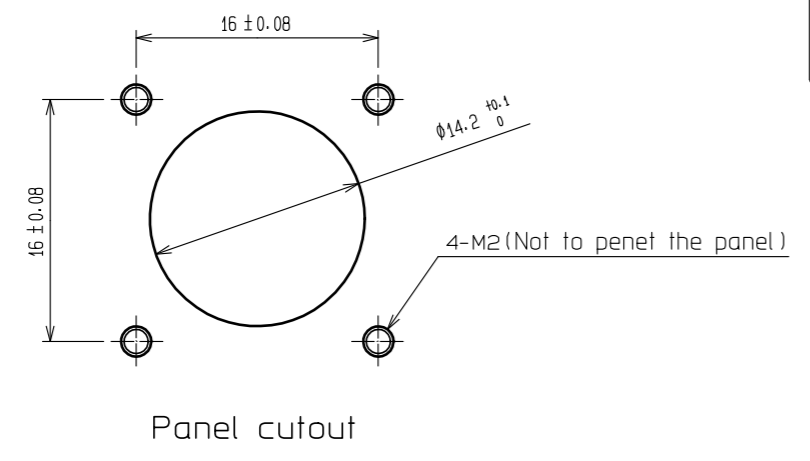
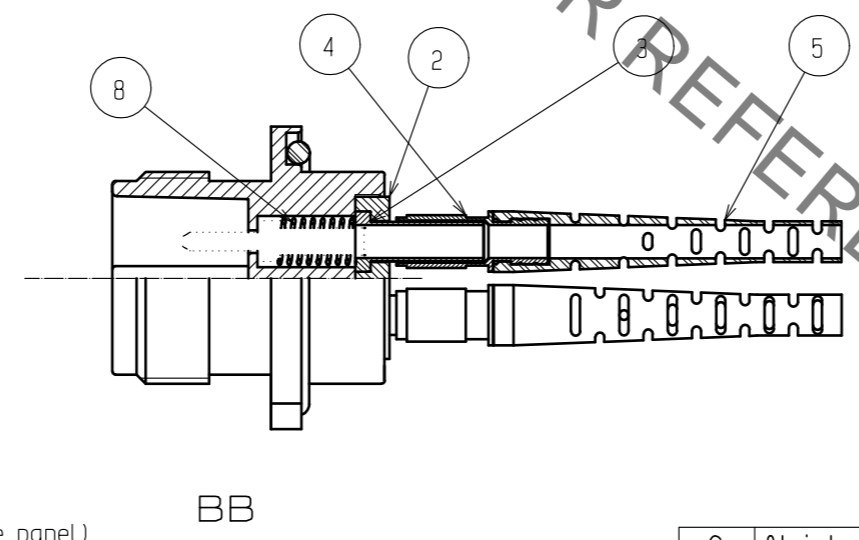
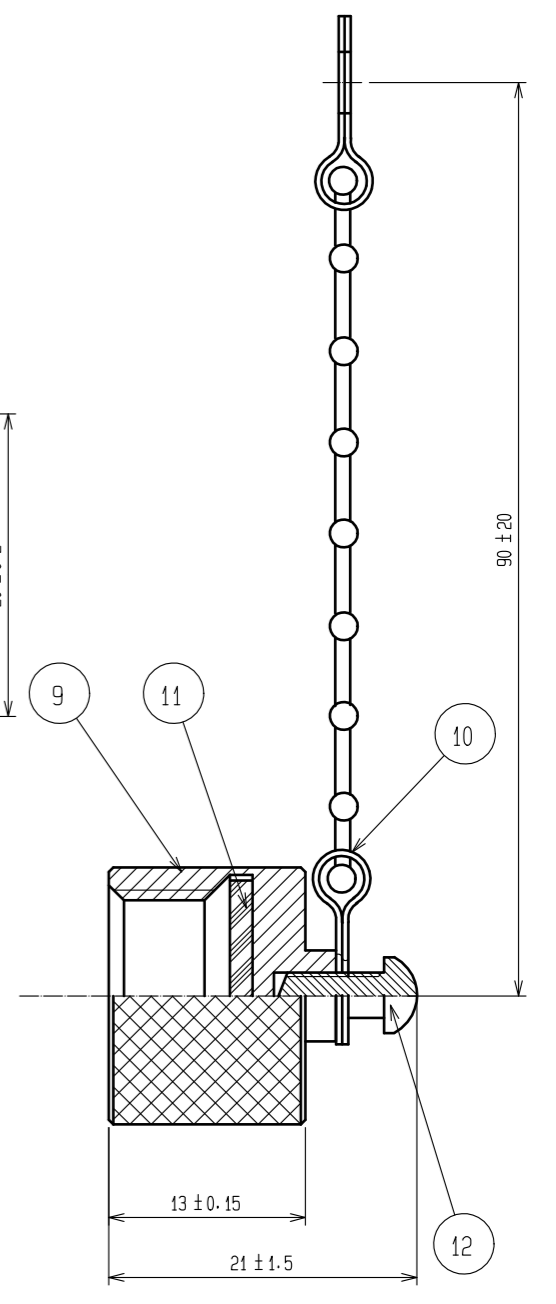
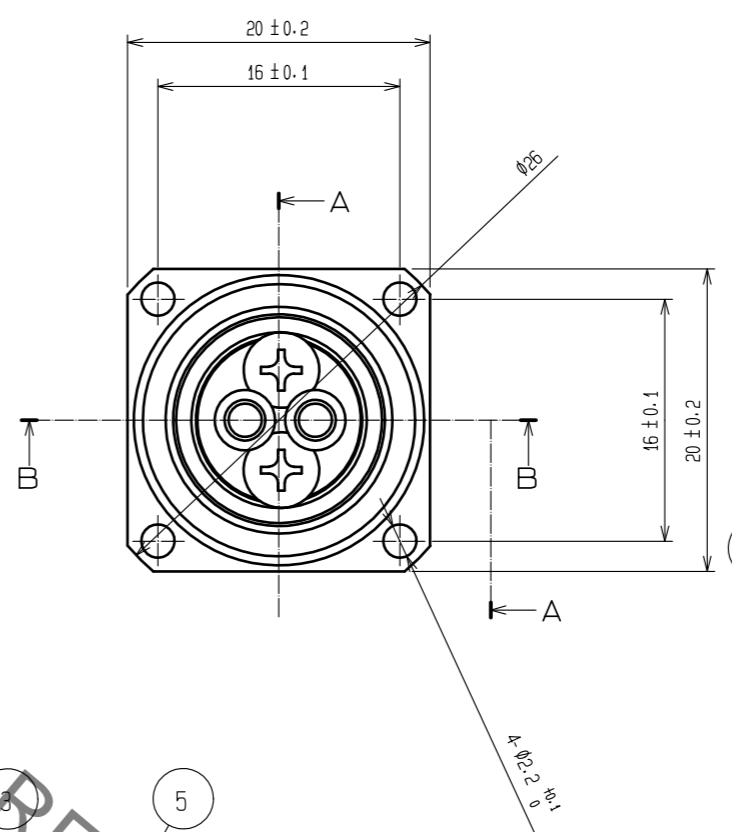
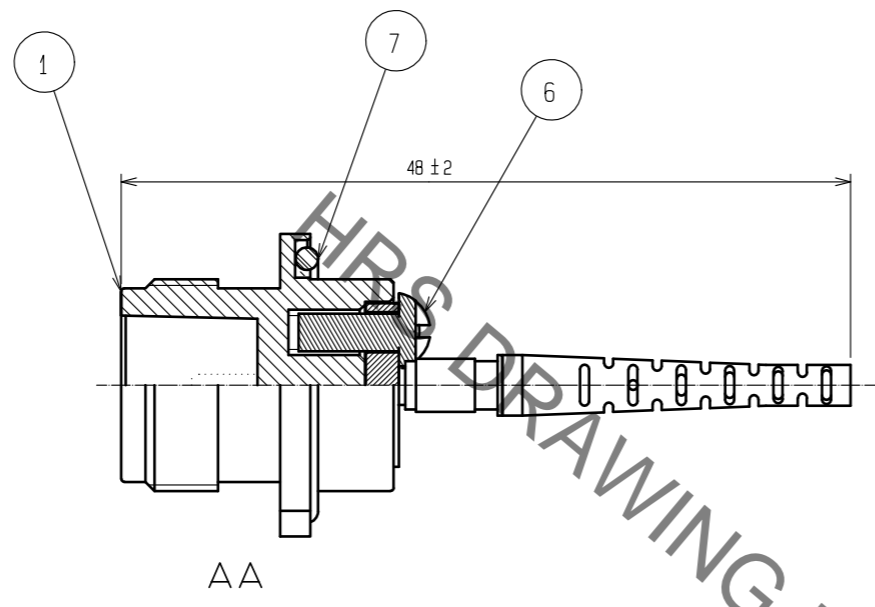
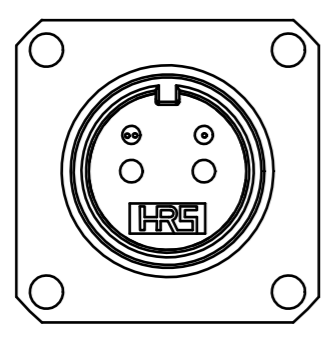


Nov.1.2019 Copyright 2019 HIROSE ELECTRIC CO., LTD. All Rights Reserved.  
 In case of consideration for using Automotive equipment / device which demand high reliability, kindly contact our sales window correspondents.



6	Stainless steel		12	Stainless steel	Nyrock			
5	Synthetic resin	Mauve	11	Synthetic rubber				
4	Brass	Nickel plating	10	Stainless steel				
3	Brass	Nickel plating	9	Aluminum alloy	Anodic oxide coating(Black)			
2	Brass	Nickel plating	8	Piano wire	zinc plating			
1	Zinc die casting	Nickel plating	7	Synthetic rubber				
NO.	MATERIAL	FINISH . REMARKS	NO.	MATERIAL	FINISH . REMARKS			
UNITS	mm	SCALE	2 : 1	COUNT	DESCRIPTION OF REVISIONS	DESIGNED	CHECKED	DATE
<b>HRS</b> HIROSE ELECTRIC CO., LTD.		APPROVED : MT. SHIBUTANI	18.03.30	DRAWING NO. EDC-176272-32-00				
		CHECKED : MT. SHIBUTANI	18.03.30	PART NO. MF10S-WDRFC01-0200(32)				
		DESIGNED : SI. MATSUMOTO	18.03.30	CODE NO. CL709-0526-1-32				
		DRAWN : SR. TOYOKAWA	18.03.30					