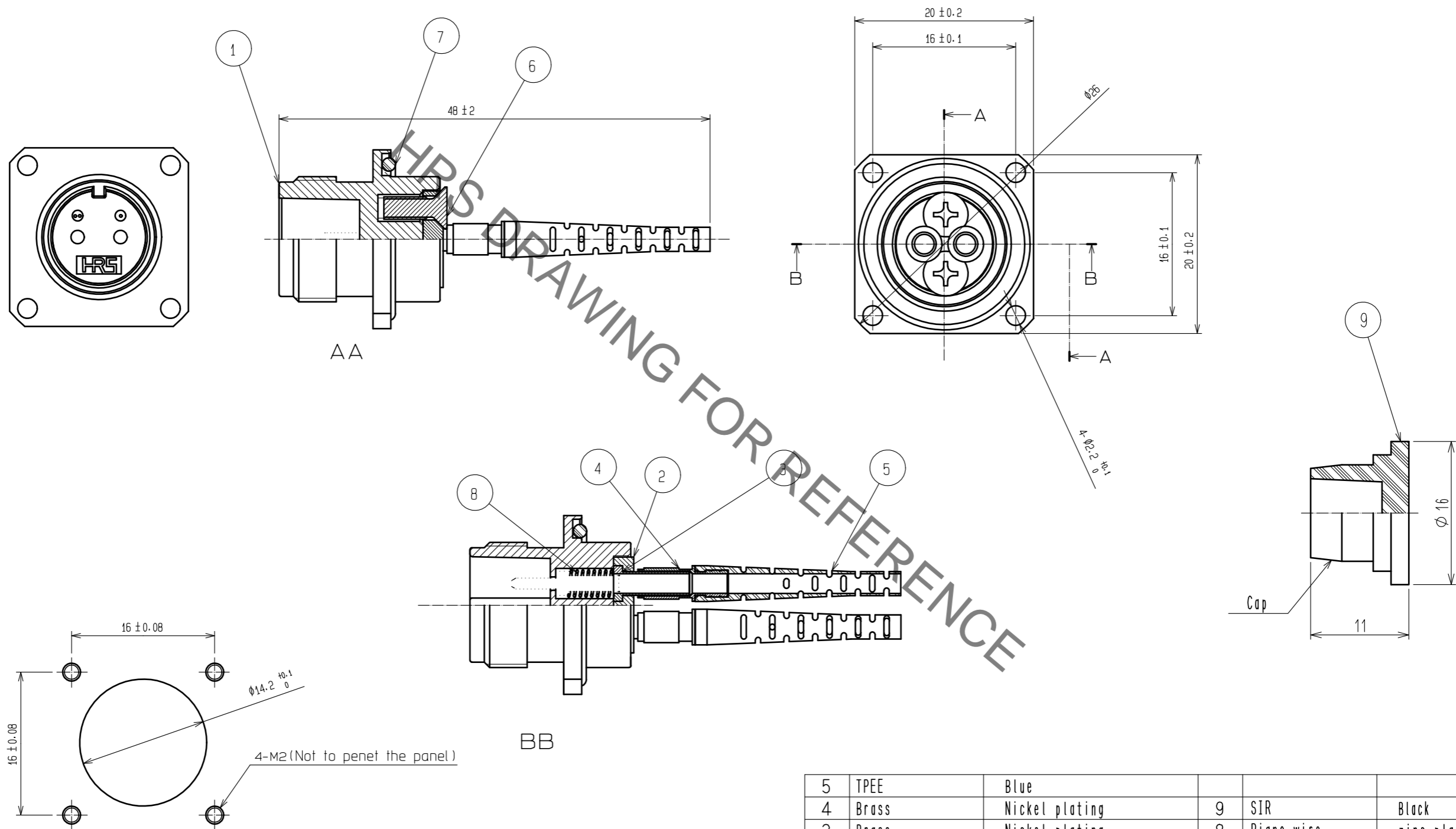


Nov.1.2019 Copyright 2019 HIROSE ELECTRIC CO., LTD. All Rights Reserved.  
 In case of consideration for using Automotive equipment / device which demand high reliability, kindly contact our sales window correspondents.



NO.	MATERIAL	FINISH .	REMARKS	NO.	MATERIAL	FINISH .	REMARKS
5	TPEE	Blue					
4	Brass	Nickel plating		9	SIR	Black	
3	Brass	Nickel plating		8	Piano wire	zinc plating	
2	Brass	Nickel plating		7	Synthetic rubber		
1	Zinc die casting	Chrome plating (black)		6	Stainless steel		

UNITS	SCALE	COUNT	DESCRIPTION OF REVISIONS	DESIGNED	CHECKED	DATE
mm	2 : 1	△				
APPROVED : MT. SHIBUTANI			18.03.30	DRAWING NO. EDC-176272-34-00		
CHECKED : MT. SHIBUTANI			18.03.30	PART NO. MF10S-WDRFC01-0200(34)		
DESIGNED : SI. MATSUMOTO			18.03.30	CODE NO. CL709-0526-1-34		
DRAWN : SR. TOYOKAWA			18.03.30	1/1		