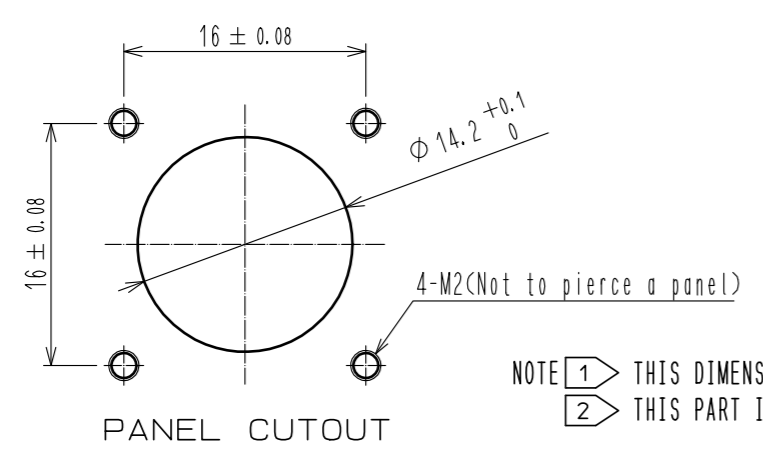
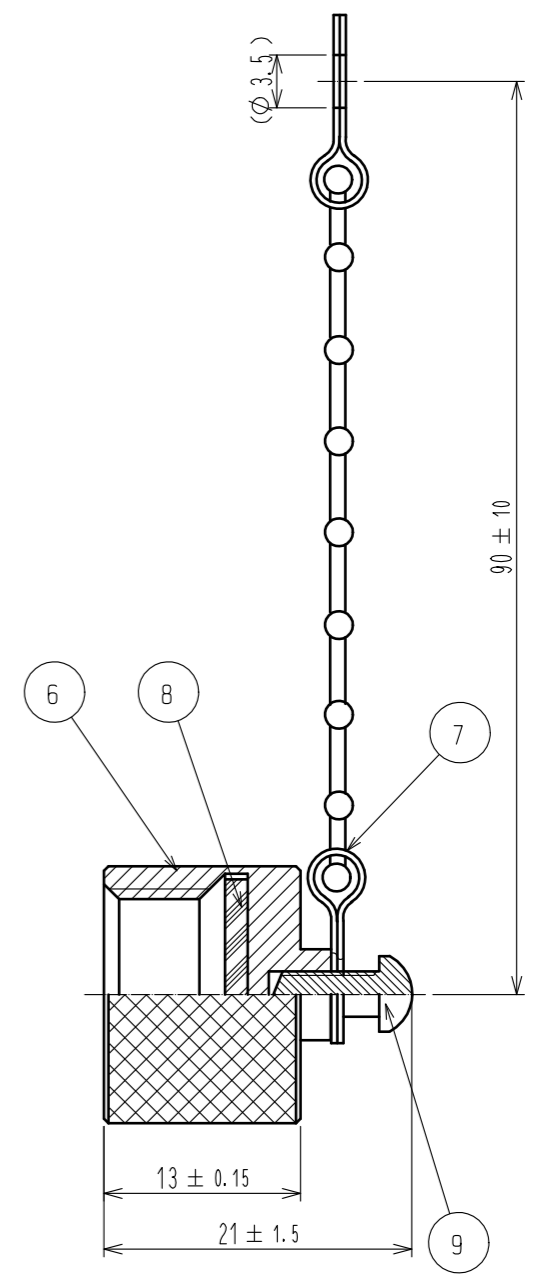
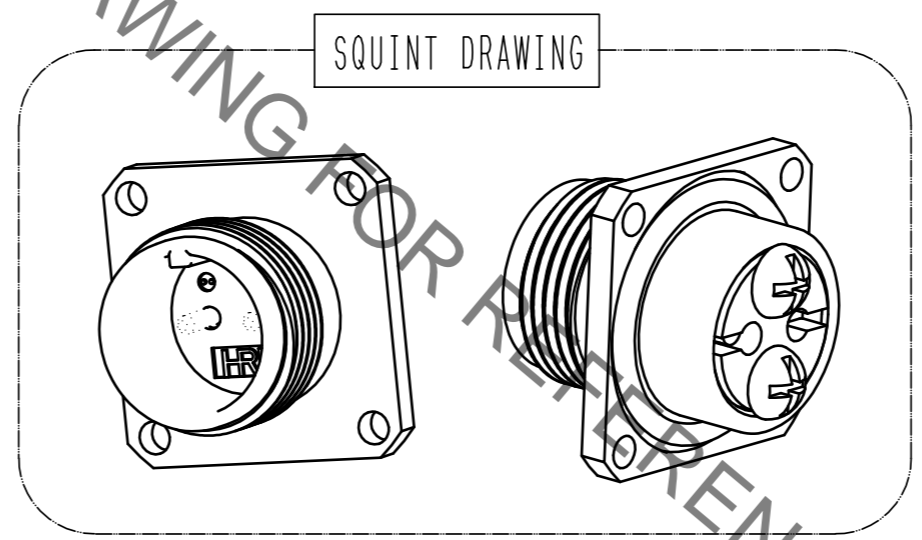
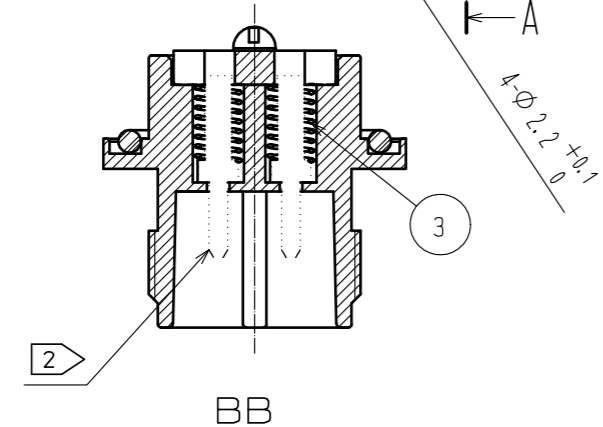
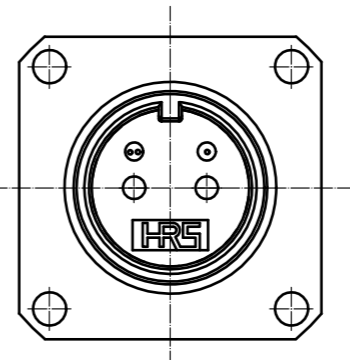
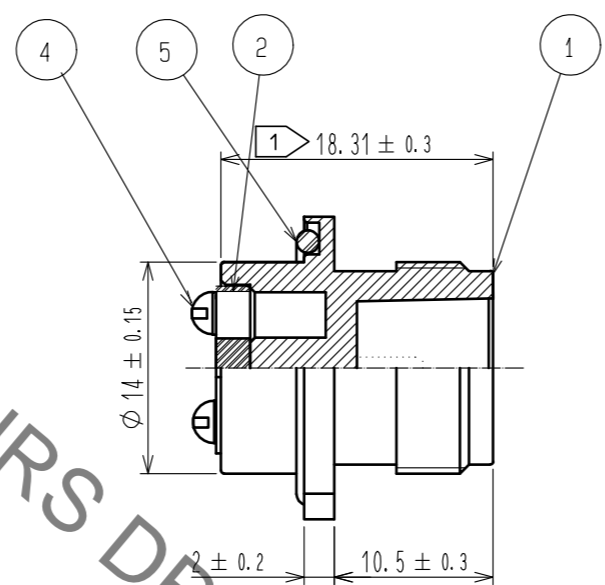
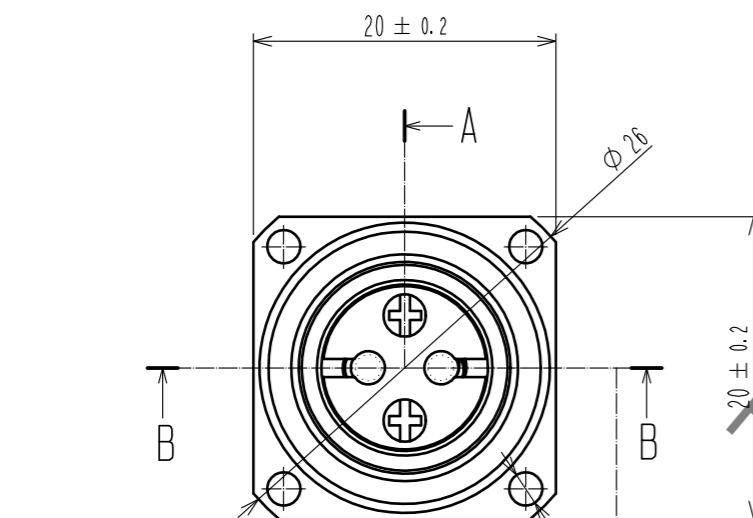


Nov.1.2019 Copyright 2019 HIROSE ELECTRIC CO., LTD. All Rights Reserved.
In case of consideration for using Automotive equipment / device which demand high reliability, kindly contact our sales window correspondents.



NOTE 1 THIS DIMENSION SHOWS AFTER ASSEMBLING.
2 THIS PART IS NOT CONTAINED. PLEASE USE AN OPTIONAL MU FERRULE.

5	SYNTHETIC RUBBER		9	STAINLESS STEEL	NYELOCK
4	STAINLESS STEEL		8	SYNTHETIC RUBBER	
3	PIANO WIRE	ZINC PLATING	7	STAINLESS STEEL	
2	SYNTHETIC RESIN		6	ALUMINIUM ALLOY	ANODIC OXIDE COATING
1	ZINC DIECAST	NICKEL PLATING			
NO.	MATERIAL	FINISH . REMARKS	NO.	MATERIAL	FINISH . REMARKS

UNITS mm		SCALE 2 : 1	COUNT 	DESCRIPTION OF REVISIONS	DESIGNED	CHECKED	DATE
HRS HIROSE ELECTRIC CO., LTD.		APPROVED : MT. SHIBUTANI	18.02.02	DRAWING NO.	EDC-176609-31-00		
		CHECED : FS. YOSHIDA	18.02.02	PART NO.	MF10S-WDRFN01-0200(31)		
		DESIGNED : TY. SATO	18.02.02	CODE NO.	CL709-0548-4-31		
		DRAWN : MK. INOUE	18.02.01				