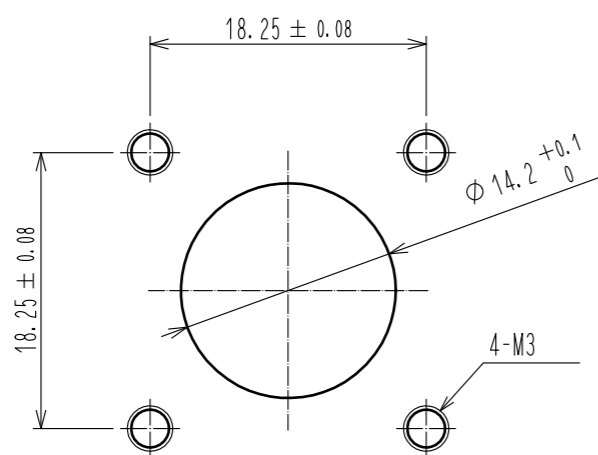
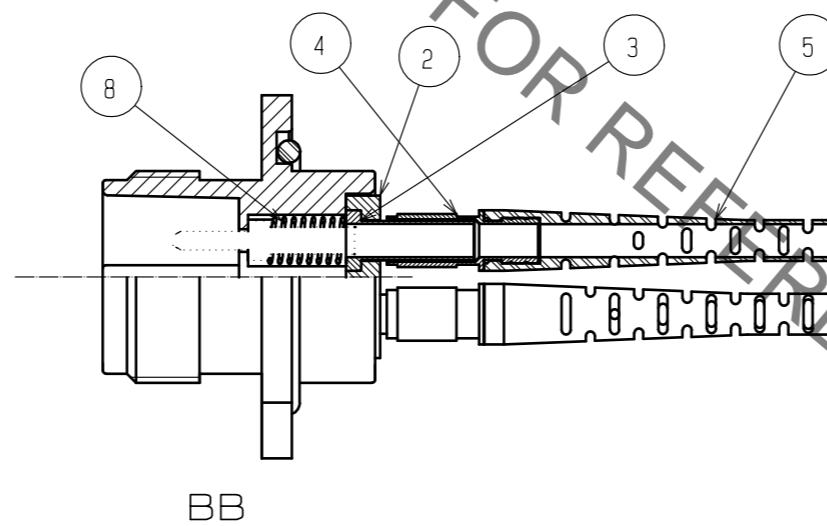
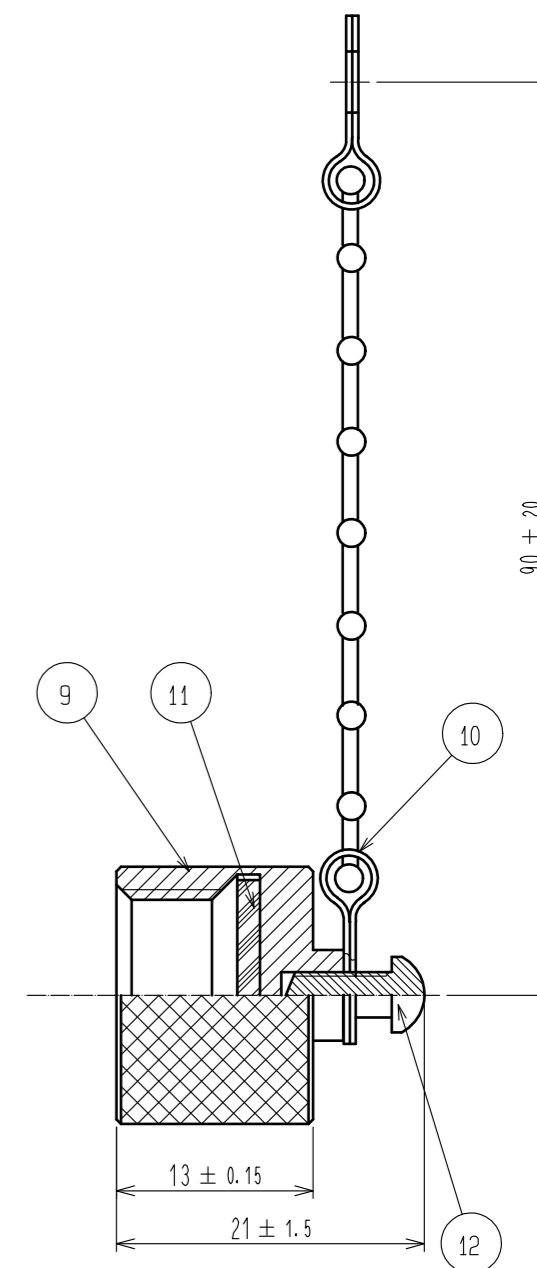
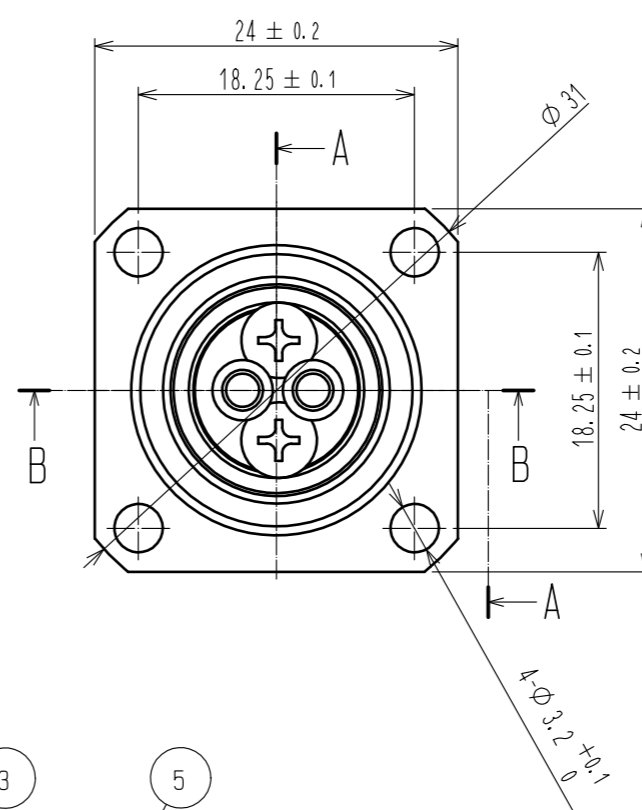
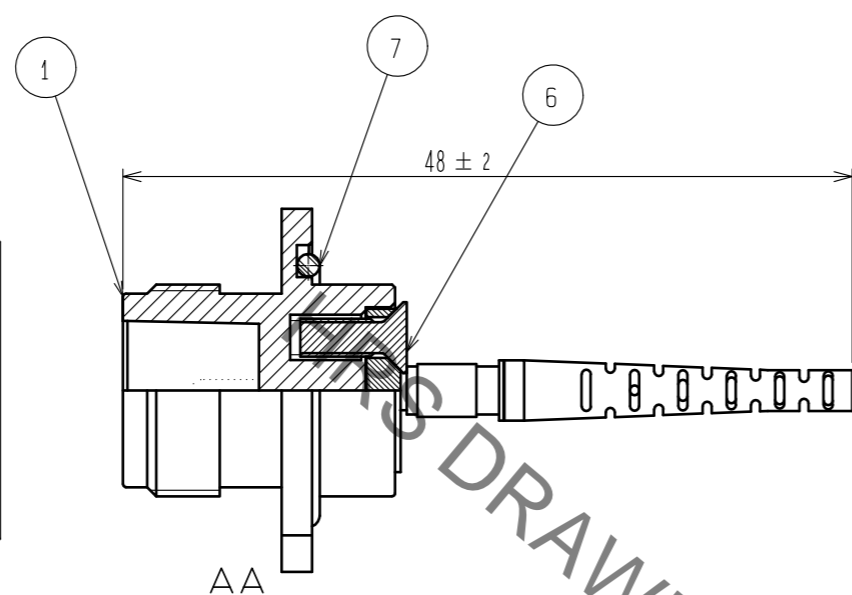
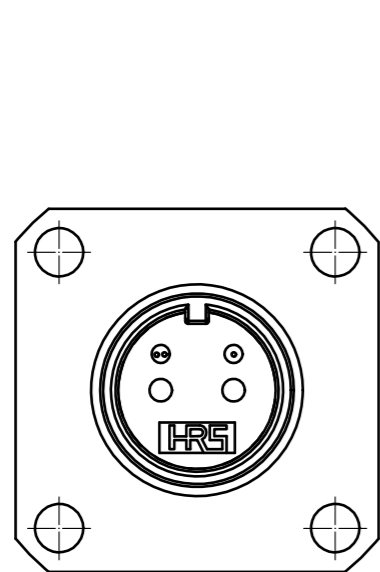


Nov.1.2019 Copyright 2019 HIROSE ELECTRIC CO., LTD. All Rights Reserved.
 In case of consideration for using Automotive equipment / device which demand high reliability, kindly contact our sales window correspondents.



PANEL CUTOUT

NO.	MATERIAL	FINISH . REMARKS	NO.	MATERIAL	FINISH . REMARKS
6	STAINLESS STEEL		12	STAINLESS STEEL	NYELOCK
5	SYNTHETIC RESIN		11	SYNTHETIC RUBBER	
4	BRASS	NICKEL PLATING	10	STAINLESS STEEL	
3	BRASS	NICKEL PLATING	9	ALUMINIUM ALLOY	ANODIC OXIDE COATING
2	BRASS	NICKEL PLATING	8	PIANO WIRE	ZINC PLATING
1	ZINC DIECAST	NICKEL PLATING	7	SYNTHETIC RUBBER	

UNITS	SCALE	COUNT	DESCRIPTION OF REVISIONS	DESIGNED	CHECKED	DATE
mm	2 : 1	△				
HIROSE ELECTRIC CO., LTD.			APPROVED : MT. SHIBUTANI 18.02.02 CHECKED : FS. YOSHIDA 18.02.02 DESIGNED : TY. SATO 18.02.02 DRAWN : MK. INOUE 18.02.01	DRAWING NO. EDC-176663-31-00 PART NO. MF10S-WDRFNGC01-0200(31) CODE NO. CL709-0557-5-31		