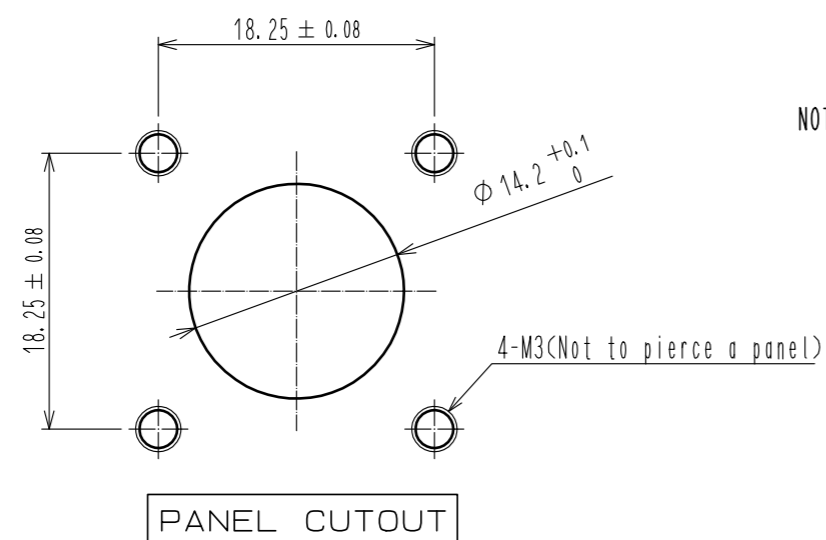
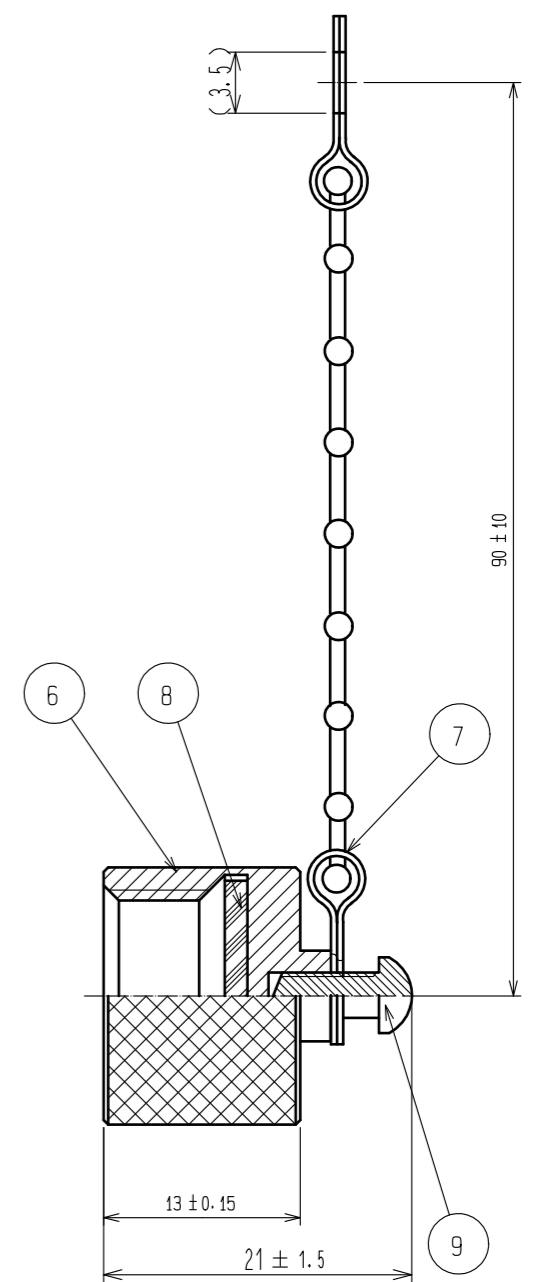
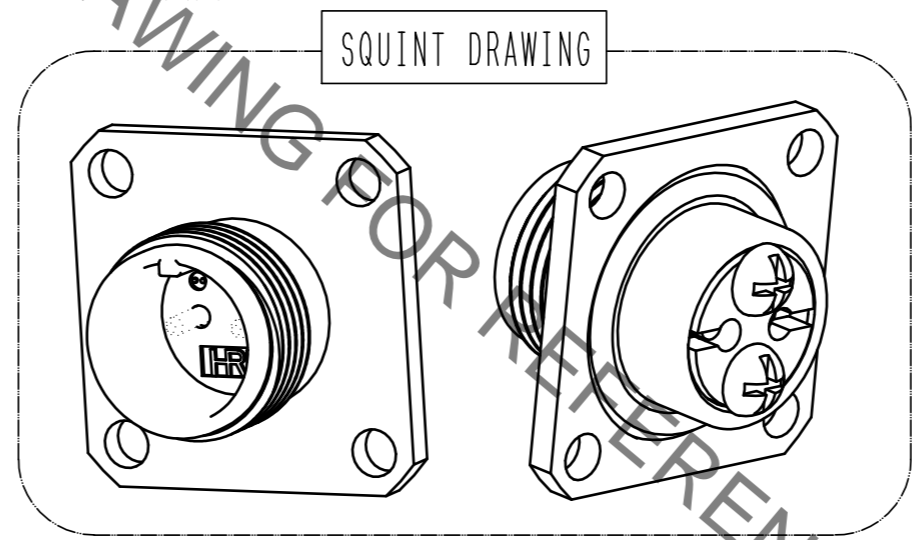
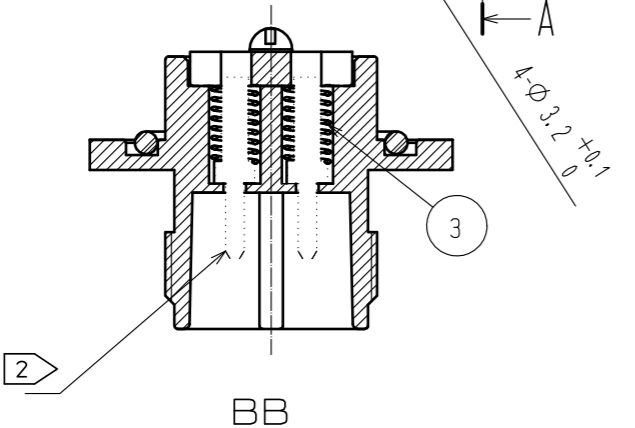
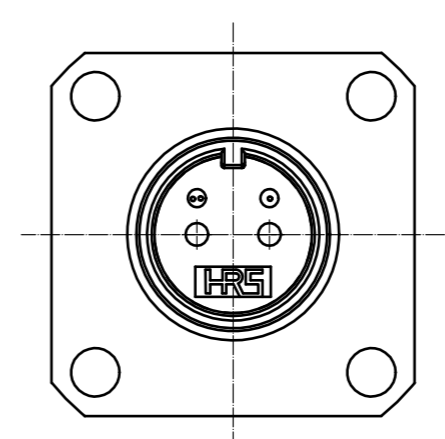
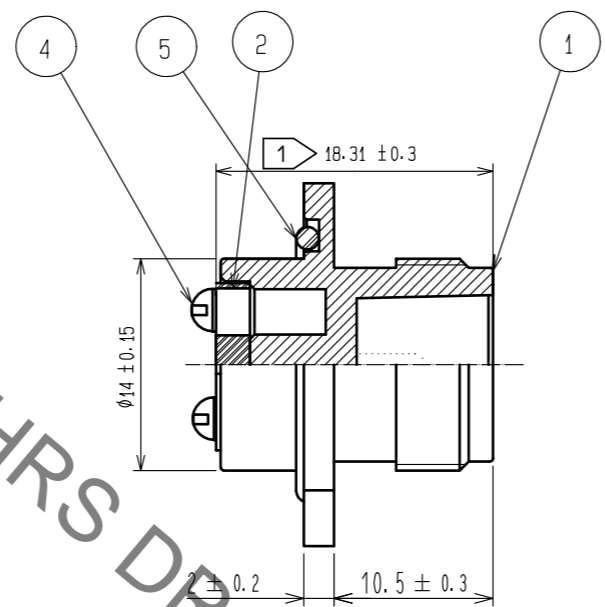
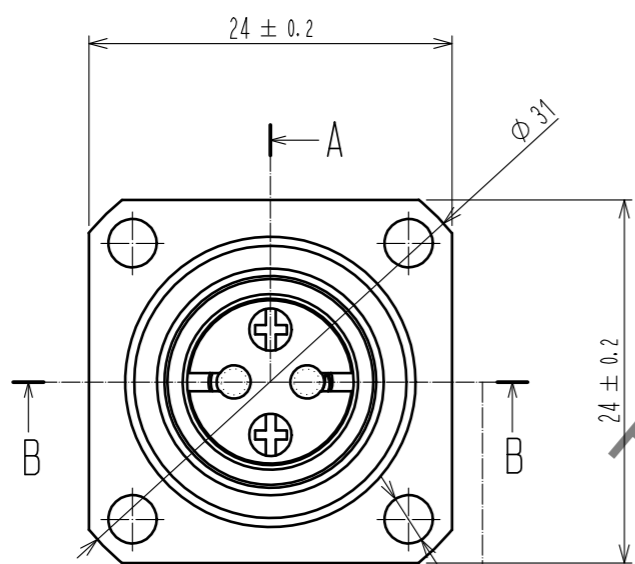


Nov.1.2019 Copyright 2019 HIROSE ELECTRIC CO., LTD. All Rights Reserved.
 In case of consideration for using Automotive equipment / device which demand high reliability, kindly contact our sales window correspondents.



NOTE 1 THIS DIMENSION SHOWS AFTER ASSEMBLING.
 2 THIS PART IS NOT CONTAINED. PLEASE USE AN OPTIONAL MU FERRULE.

5	SYNTHETIC RUBBER				
4	STAINLESS STEEL		9	STAINLESS STEEL	NYELOCK
3	PIANO WIRE	ZINC PLATING	8	SYNTHETIC RUBBER	
2	SYNTHETIC RESIN		7	STAINLESS STEEL	
1	ZINC DIECAST	CHROME PLATING	6	ALUMINIUM ALLOY	ANODIC OXIDE COATING
NO.	MATERIAL	FINISH . REMARKS	NO.	MATERIAL	FINISH . REMARKS
UNITS	mm	SCALE	2 : 1	COUNT	DESCRIPTION OF REVISIONS
		APPROVED	MT. SHIBUTANI	18.02.02	DRAWING NO.
		CHECED	FS. YOSHIDA	18.02.02	PART NO.
		DESIGNED	TY. SATO	18.02.02	CODE NO.
		DRAWN	MK. INOUE	18.02.02	
				DESIGNED	
				CHECKED	
				DATE	
			EDC-176807-31-00		
			MF10S-WDRFG01-0200(31)		
			CL709-0578-5-31		