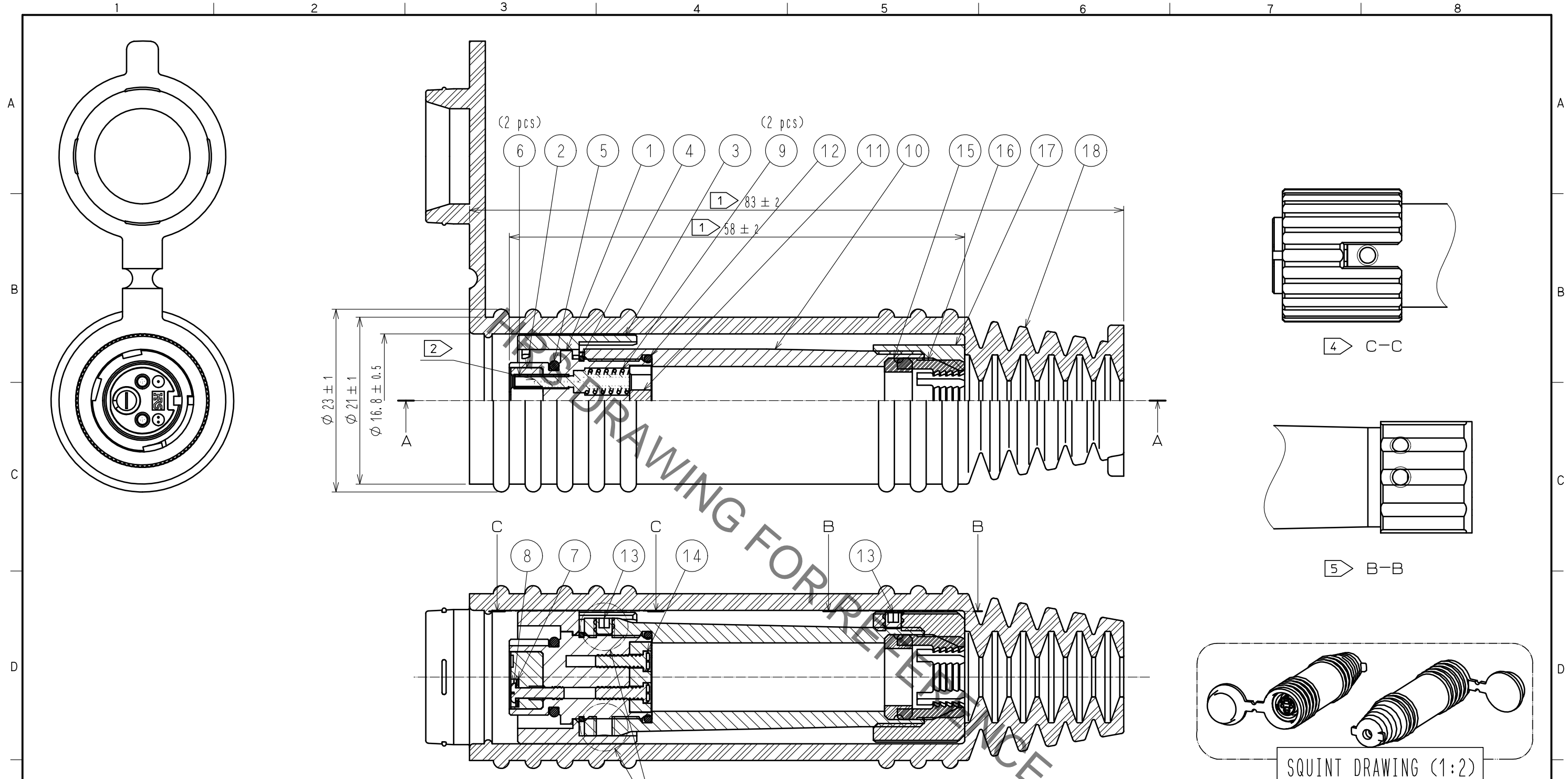


Oct.1.2020 Copyright 2020 HIROSE ELECTRIC CO., LTD. All Rights Reserved.
 In case of consideration for using Automotive equipment / device which demand high reliability, kindly contact our sales window correspondents.



- NOTE
- 1 These dimensions indicate the condition after cable assembly.
 - 2 Ferrules are not included in this product. MU ferrules are separately available.
 3. For connector mating, slide back rubber hood of part No. 18 until whole sleeve of part No. 3 is appeared. After mating, slide the rubber hood back until it touches to the receptacle.
 4. Housing of part No. 10 has two holes for fixing with sleeve of part No. 1 by hexagon socket screw of part No. 13. Tighten the screw at either hole that is visible from a slit on the sleeve as shown in cross section C-C.
 5. Tightening ring of part No. 17 has two holes for fixing hexagon socket screw of part No. 13. Tighten the screw at visible either hole, or either hole if both holes are visible.
 6. For cleaning of the ferrule end, loosen the screw of part No. 8 and pick up the pre-assembled P shell B of part No. 2 by pulling the screw of part No. 8. Then, remove the split sleeves by using separately available sleeve-remover and clean the ferrules.

| | | | | | |
|-----|------------------|--------------------------|-----|------------------|--------------------------|
| 9 | PIANO WIRE | _____ | 18 | SYNTHETIC RUBBER | _____ |
| 8 | STAINLESS STEEL | _____ | 17 | ZINC DIE CASTING | TRIVALENT CHROME PLATING |
| 7 | STAINLESS STEEL | _____ | 16 | SYNTHETIC RESIN | _____ |
| 6 | ZIRCONIA | _____ | 15 | SYNTHETIC RUBBER | _____ |
| 5 | SYNTHETIC RUBBER | _____ | 14 | STAINLESS STEEL | _____ |
| 4 | STAINLESS STEEL | _____ | 13 | STAINLESS STEEL | _____ |
| 3 | ZINC DIE CASTING | TRIVALENT CHROME PLATING | 12 | SYNTHETIC RUBBER | _____ |
| 2 | ZINC DIE CASTING | TRIVALENT CHROME PLATING | 11 | ZINC DIE CASTING | NICKEL PLATING |
| 1 | ZINC DIE CASTING | TRIVALENT CHROME PLATING | 10 | ZINC DIE CASTING | TRIVALENT CHROME PLATING |
| NO. | MATERIAL | FINISH . REMARKS | NO. | MATERIAL | FINISH . REMARKS |

| UNITS | SCALE | COUNT | DESCRIPTION OF REVISIONS | DESIGNED | CHECKED | DATE |
|---------------------------|-------|-------|--|---|---------|------|
| mm | 2 : 1 | △ | | | | |
| HIROSE ELECTRIC CO., LTD. | | | APPROVED : MT. SHIBUTANI 18.03.28 CHECKED : MT. SHIBUTANI 18.03.28 DESIGNED : SI. MATSUMOTO 18.03.28 DRAWN : SI. MATSUMOTO 18.03.28 | DRAWING NO. EDC-177312-31-00 PART NO. MF10B-WP7CT01-0200(31) CODE NO. CL709-1026-4-31 | | |