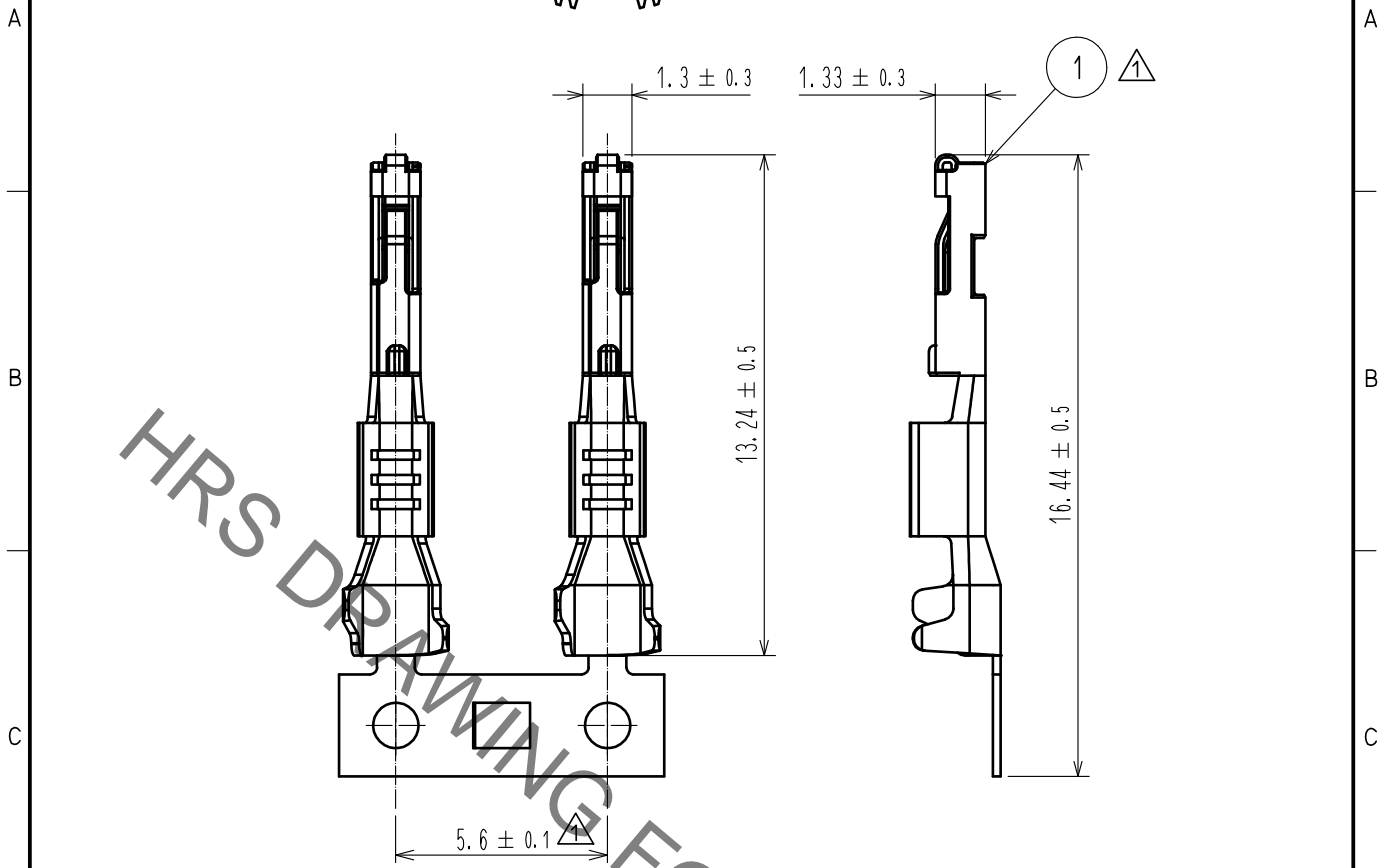
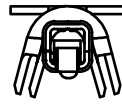


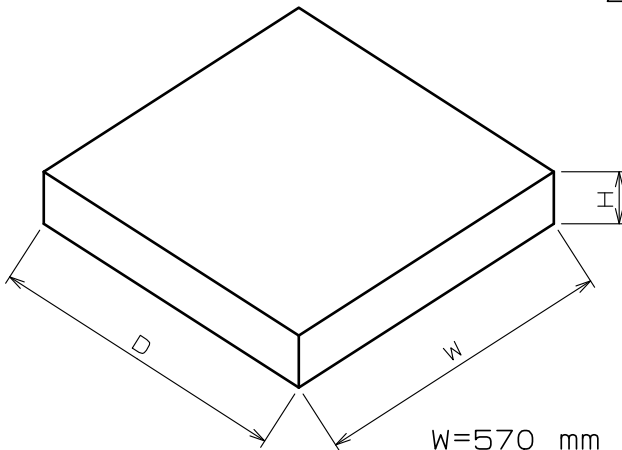
Sep.1.2019 Copyright 2019 HIROSE ELECTRIC CO., LTD. All Rights Reserved.
 In case of consideration for using Automotive equipment / device which demand high reliability, kindly contact our sales window correspondents.

ELV, RoHS COMPLIANT

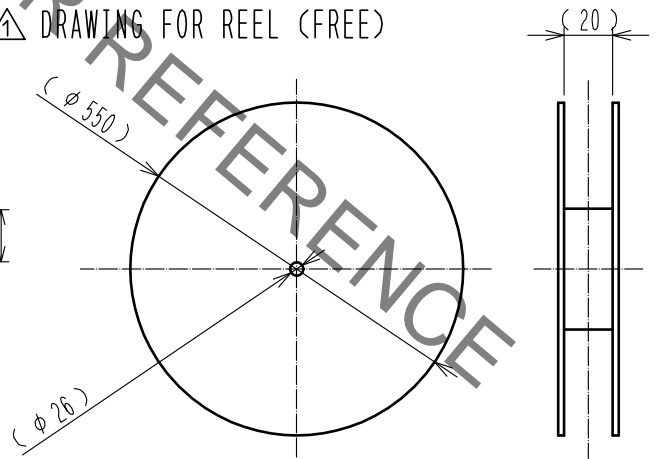


△ PACKING STYLE

△ DRAWING FOR REEL (FREE)



$W=570$ mm
 $D=570$ mm
 $H=50$ mm



Note1. 10,000PCS/RL

1	COPPER ALLOY	SURFACE : TIN PLATING $1\mu\text{m}$ min UNDER : COPPER PLATING $0.3\mu\text{m}$ min						
NO.	MATERIAL	FINISH . REMARKS		NO.	MATERIAL	FINISH . REMARKS		
UNITS mm		SCALE 5 : 1	COUNT 4	DESCRIPTION OF REVISIONS DIS-T-00004416		DESIGNED YH. MAMADA	CHECKED HK. UMEHARA	DATE 20190314
HIROSE ELECTRIC CO., LTD.		APPROVED : HK. UMEHARA	20170316	DRAWING NO.		EDC-368625-00-00		
		CHECKED : HK. UMEHARA	20170316	PART NO.		ZE05-2022SCF		
		DESIGNED : TY. ISHIGURO	20170316	CODE NO.		CL752-2001-0-00		
		DRAWN : MN. SATOH	20170316			1/1		