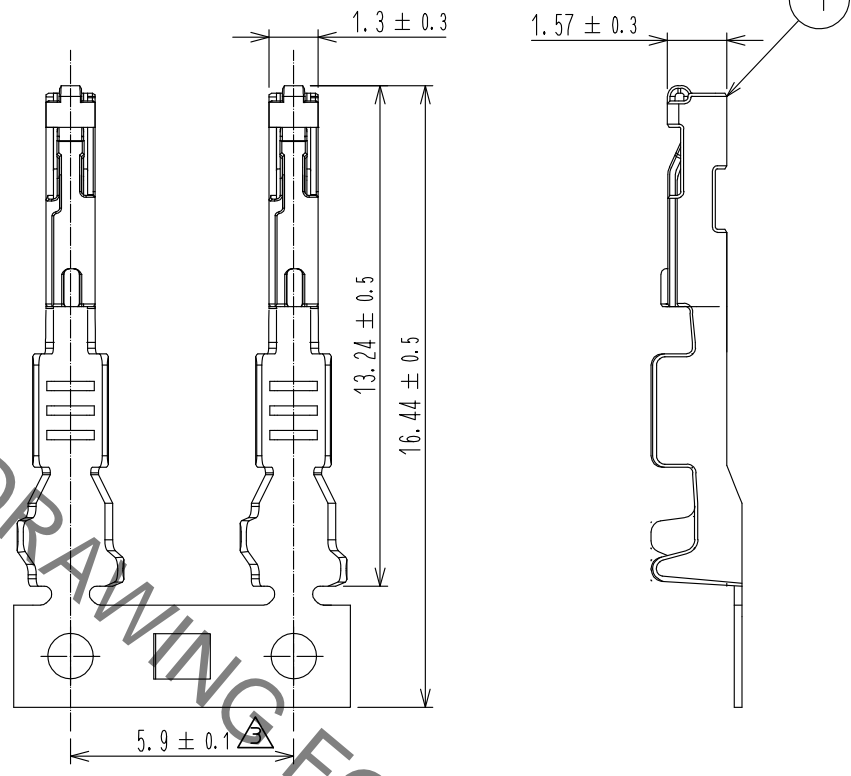
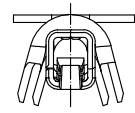
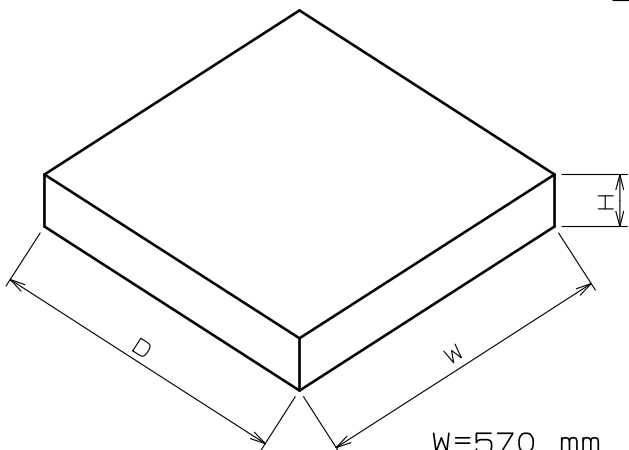


Jan.1.2021 Copyright 2021 HIROSE ELECTRIC CO., LTD. All Rights Reserved.  
 In case of consideration for using Automotive equipment / device which demand high reliability, kindly contact our sales window correspondents.

ELV, RoHS COMPLIANT

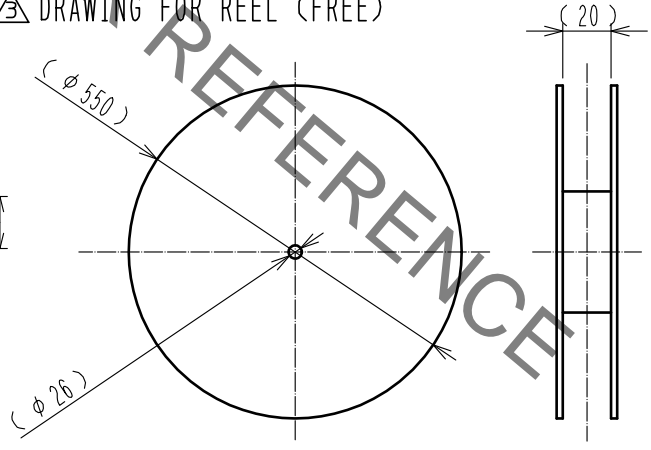


△ PACKING STYLE



W=570 mm  
 D=570 mm  
 H= 50 mm

△ DRAWING FOR REEL (FREE)



NOTE 1. 13,000 PCS PER REEL.

1	COPPER ALLOY	SURFACE : TIN PLATING 1μm min UNDER PLATING : COPPER PLATING 0.3μm min						
NO.	MATERIAL	FINISH . REMARKS		NO.	MATERIAL	FINISH . REMARKS		
UNITS mm		SCALE 5 : 1	COUNT 3	DESCRIPTION OF REVISIONS DIS-T-00004416		DESIGNED YH. MAMADA	CHECKED HK. UMEHARA	DATE 20190314
HIROSE ELECTRIC CO., LTD.		APPROVED : AH. EDASHIGE 20180626		DRAWING NO. EDC-372039-00-00				
		CHECKED : AH. EDASHIGE 20180626		PART NO. ZE064-2022SCF				
		DESIGNED : HH. TSUKUMO 20180626		CODE NO. CL753-2001-0-00				
		DRAWN : HH. TSUKUMO 20180626		1/1				