

Jan.1.2021 Copyright 2021 HIROSE ELECTRIC CO., LTD. All Rights Reserved.
 In case of consideration for using Automotive equipment / device which demand high reliability, kindly contact our sales window correspondents.

ELV. RoHS COMPLIANT

Change display method

PACKING STYLE

PLASTICS BOARD

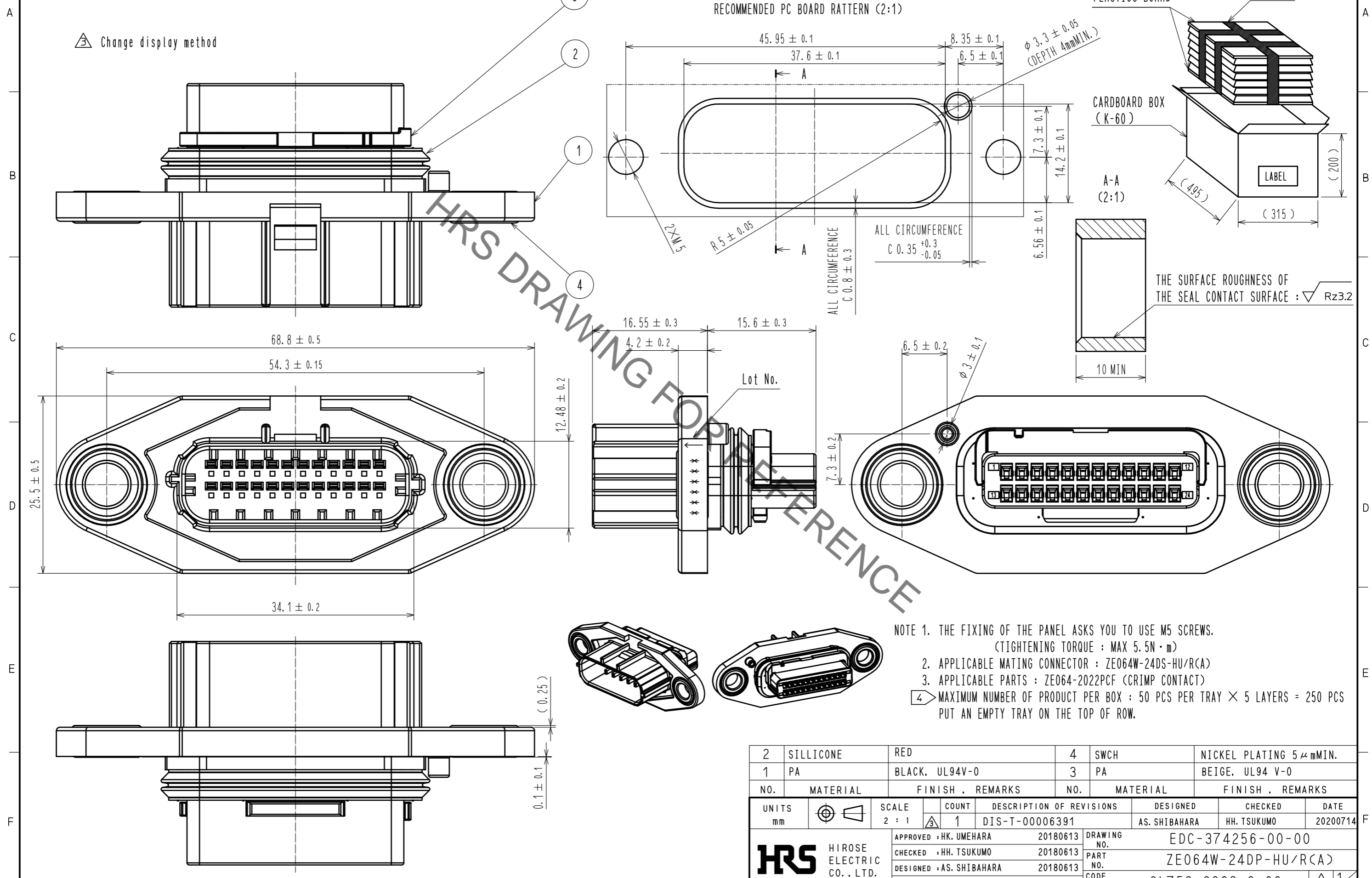
PP BAND

CARDBOARD BOX (K-60)

A-A (2:1)

THE SURFACE ROUGHNESS OF THE SEAL CONTACT SURFACE : $Rz3.2$

RECOMMENDED PC BOARD PATTERN (2:1)



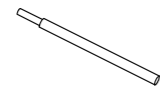
- NOTE 1. THE FIXING OF THE PANEL ASKS YOU TO USE M5 SCREWS.
 (TIGHTENING TORQUE : MAX 5.5N · m)
 2. APPLICABLE MATING CONNECTOR : ZE064W-24DS-HU/R(A)
 3. APPLICABLE PARTS : ZE064-2022PCF (CRIMP CONTACT)
 4. MAXIMUM NUMBER OF PRODUCT PER BOX : 50 PCS PER TRAY × 5 LAYERS = 250 PCS
 PUT AN EMPTY TRAY ON THE TOP OF ROW.

2	SILICONE	RED	4	SWCH	NICKEL PLATING 5 μmMIN.		
1	PA	BLACK, UL94V-0	3	PA	BEIGE, UL94 V-0		
NO.	MATERIAL	FINISH, REMARKS	NO.	MATERIAL	FINISH, REMARKS		
UNITS	mm	SCALE	COUNT	DESCRIPTION OF REVISIONS	DESIGNED	CHECKED	DATE
		2 : 1	1	DIS-T-00006391	AS. SHIBAHARA	HH. TSUKUMO	20200714
APPROVED : HK. UMEHARA		20180613		DRAWING NO.		EDC-374256-00-00	
CHECKED : HH. TSUKUMO		20180613		PART NO.		ZE064W-24DP-HU/R(A)	
DESIGNED : AS. SHIBAHARA		20180613		CODE NO.		CL753-2003-0-00	
DRAWN : GYEONGMIN LEE		20180613				1/4	

Jan.1.2021 Copyright 2021 HIROSE ELECTRIC CO., LTD. All Rights Reserved.
In case of consideration for using Automotive equipment / device which demand high reliability, kindly contact our sales window correspondents.

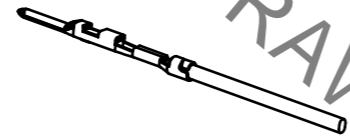
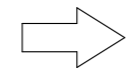
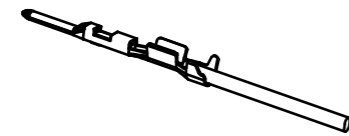
1. Assembly process

① Strip the cable.



Note: Please refer to 'Crimp Quality Standard' for strip length.

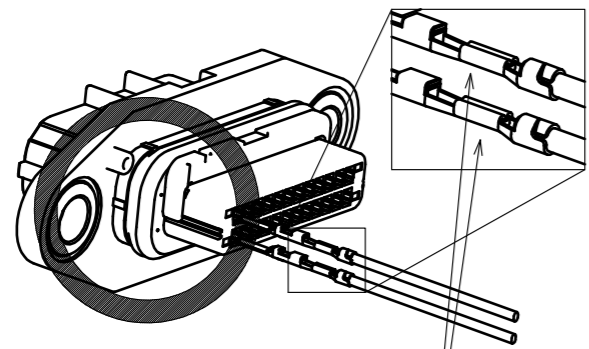
② Crimp the terminal to the core cable.



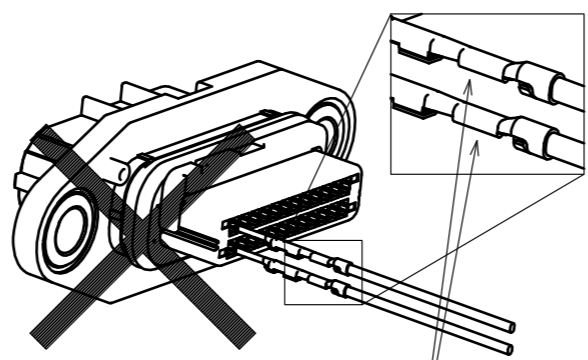
Note1: Please use HRS crimp tool.
2: Please refer to 'Crimp Quality Standard' for applicable terminal and crimp conditions.

③ Insert the terminal till it clicks hooked by the lance.

※ Please be careful not to insert it upside down.



At both the upper row and the lower, the terminal is inserted with the crimping portion facing upward.

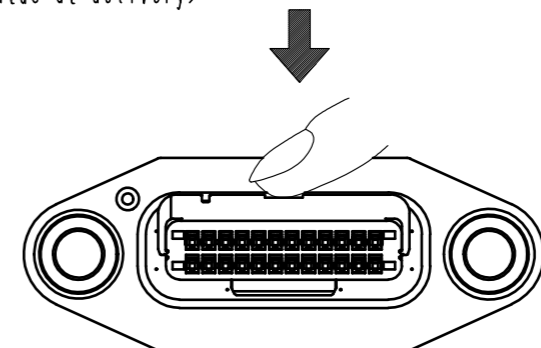


The terminal is inserted with crimping portion facing downward.

Note: Hold the cable and insert it straight.

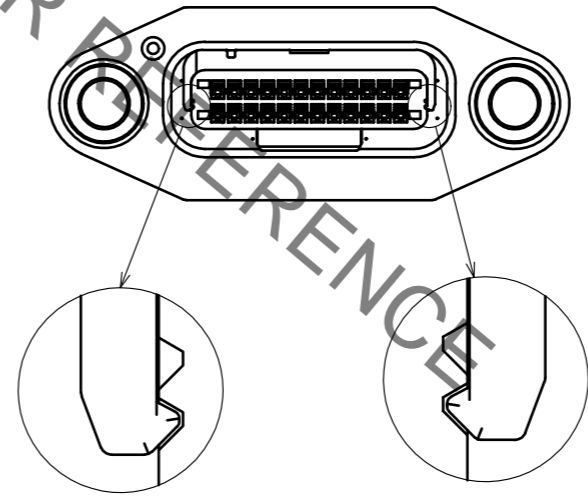
④ Push the pre-set retainer until it clicks.

Pre-set state (Status at delivery)



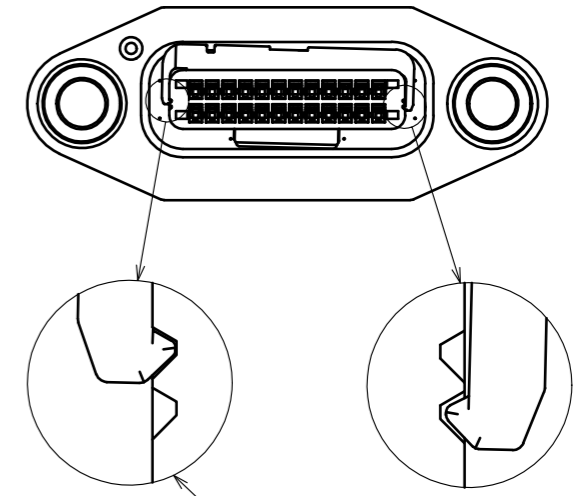
Set condition of retainer

After setting the retainer, please make sure the retainer is not inclined as seen from the front.



*Set condition of retainer

OK



*One side of the retainer not installed. (Even in the case of this left-right reversal.)

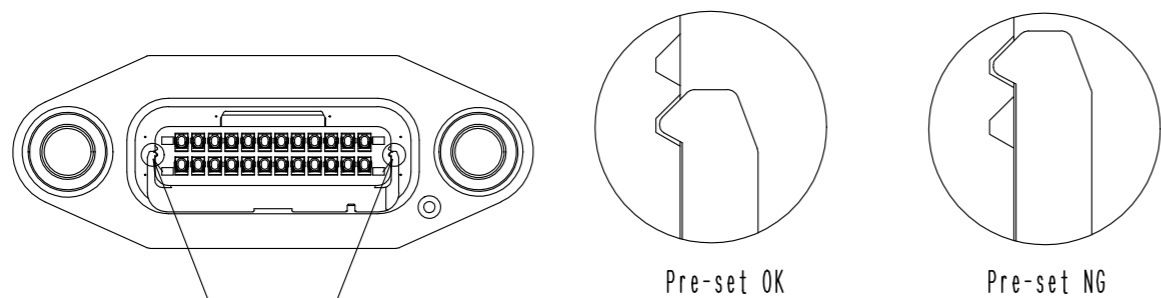
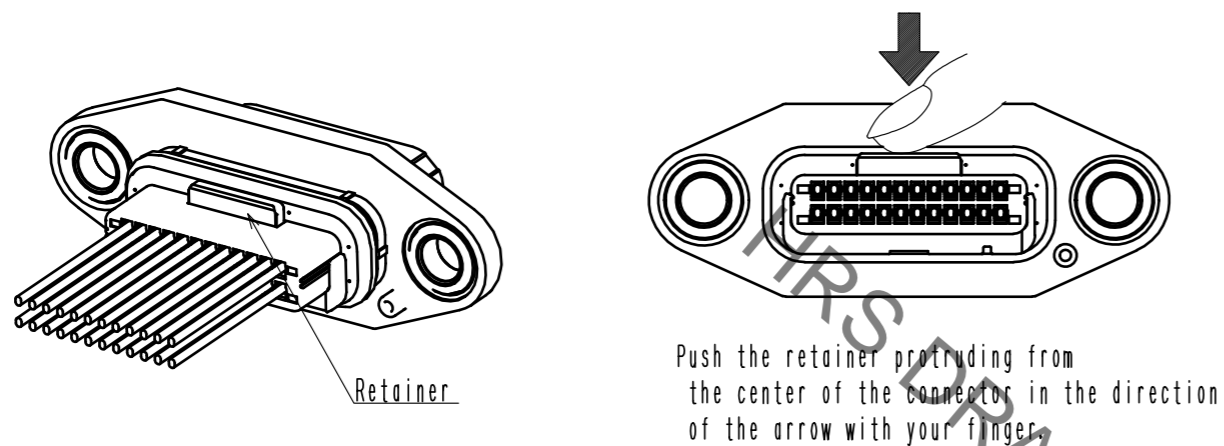
NG

HRS DRAWING FOR REFERENCE

HRS	DRAWING NO.	EDC-374256-00-00
	PART NO.	ZE064W-24DP-HU/R(CA)
	CODE NO.	CL753-2003-0-00
		2/4

2. Repair process

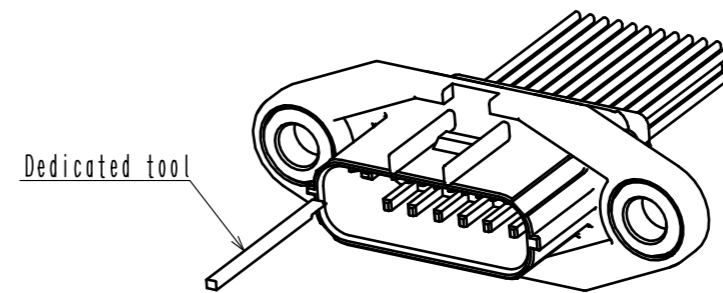
① Release the retainer with your fingers, to return to the pre-set state.



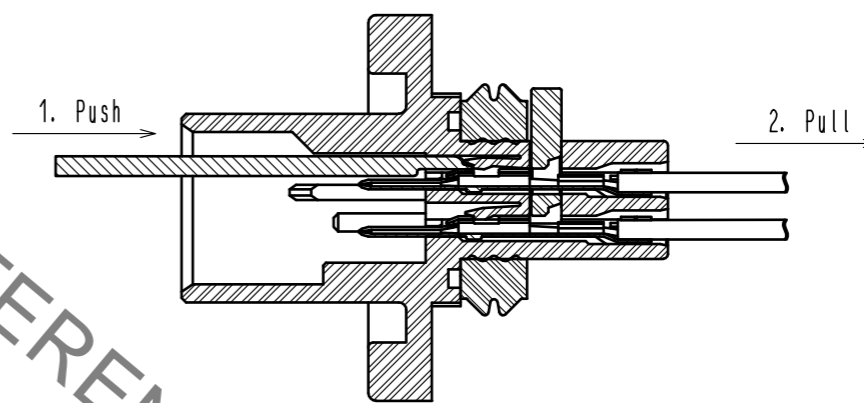
When you push it with your finger, the retainer returns to the pre-set state. Make sure that the retainer is in the pre-set state for both left and right.

Note. Please return to the pre-set position when the retainer drops out.

② Insert the dedicated tool into the terminal hole, and push until it hits. After pushing in, please remove the terminal while maintaining that state.



Note. Please be careful not to touch the terminal when inserting a dedicated tool.



③ The list of dedicated tools for repair

Part number list of crimp contact repair tool

Applicable products	Product name	Part number
ZE064-2022PCF(##)	ZE064-P/RE-MD	902-5150-0

(##) = Specification Number

HRS	DRAWING NO.	EDC-374256-00-00
	PART NO.	ZE064W-24DP-HU/R(A)
	CODE NO.	CL753-2003-0-00

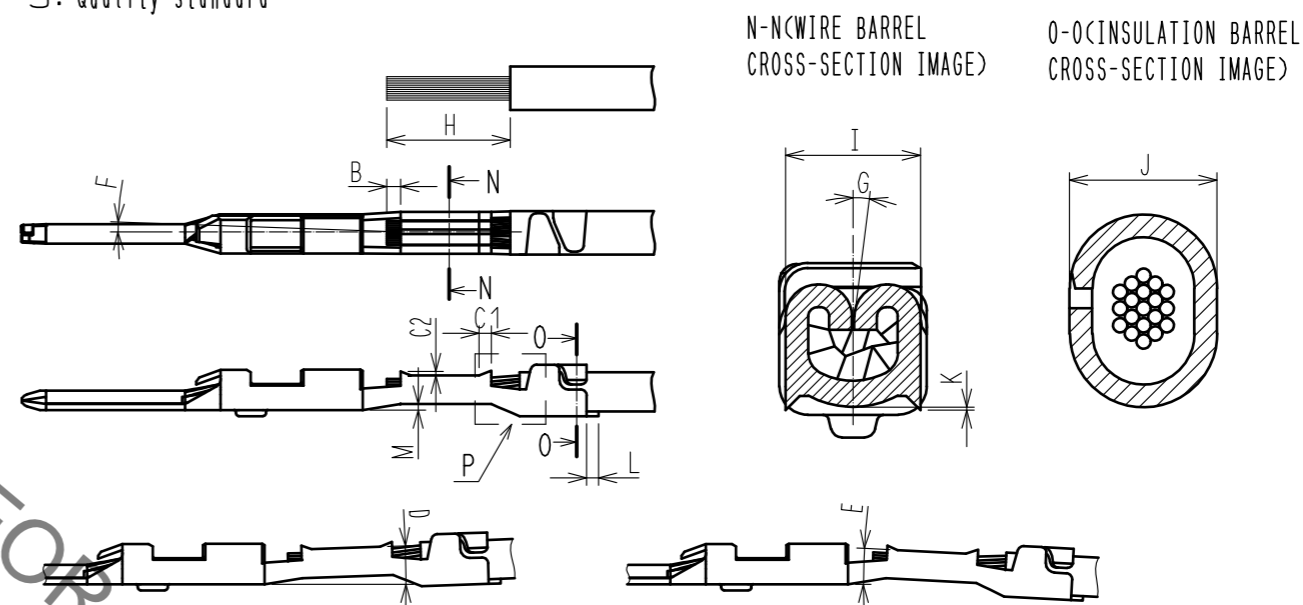
Jan.1.2021 Copyright 2021 HIROSE ELECTRIC CO., LTD. All Rights Reserved.
In case of consideration for using Automotive equipment / device which demand high reliability, kindly contact our sales window correspondents.

3. Remarks

- 1) Do not touch the terminal contacts and the inside of the barrel.
- 2) Wear hand gloves or finger coat when touching the terminals to prevent corrosion.
- 3) Handle the terminals carefully to avoid deformation or dirt sticking by putting things on or dropping.
- 4) If the terminals are caught each other, please do not try to pull out roughly, but loosen them carefully.
- 5) Be careful not to deform the terminal when touching it.
- 6) Cables with crimped terminals need to be kept carefully so that the terminals do not catch each other. When the cables are bundled, make sure the stress is not applied on terminals.
- 7) Please be careful not to give a big shock.
- 8) Avoid storing in dusty places.
- 9) Please do not place wire harness on the floor.
- 10) Avoid handling that causes deformation or scratches of housing, or deformation of the terminal.
- 11) When installing the harness, it is recommended to clamp it within 60mm from the neck bottom of connector.

4. Crimp Quality Standard

1. Scope
This technical specification prescribes crimp condition of ZE064-2022PCF (CL753-2002-0)
2. Applicable wire
 - Applicable wire size: 0.3~0.5SQ
 - Applicable insulation size: $\phi 1.4 \sim \phi 1.7$
3. Quality standard



CHECK POINT		MEASURE (mm)
COVER LOCATION	A	0.3~0.8
LOCATION OF TIP OF THE CORE	B	0.1~0.6
BELL-MOUTH	C1	0.1~0.5
	C2	0.5 max
BEND-UP	D	2° max
BEND-DOWN	E	3° max
TWIST	F	$\pm 2^\circ$ max
ROLLING	G	$\pm 5^\circ$ max
STRIP LENGTH	H	4.0~4.3
WIDTH	WIRE BARREL	I
	INSULATION BARREL	J
HEIGHT OF METAL CUT-OUT TEETH	K	0.12 max
CUT-OFF TAB	L	0.1 max
DIFFERENCE IN LEVEL ON TRANSITION PART		
APPLY ONLY BEND-UP	M	0.3 max

Note1. Refer to a crimp condition list for the crimp height.

Note2. There is a possibility that a terminal is involved in covering and crowded by the crimping, but it's no problem on the product function.

Note3. Please confirm that the terminal which did crimp enters a housing.

HRS	DRAWING NO.	EDC-374256-00-00
	PART NO.	ZE064W-24DP-HU/R(CA)
	CODE NO.	CL753-2003-0-00
		3/4