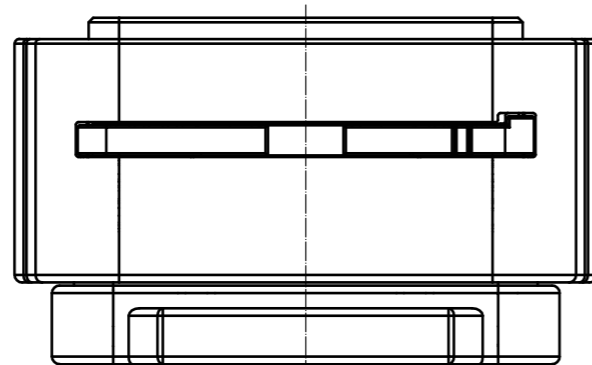
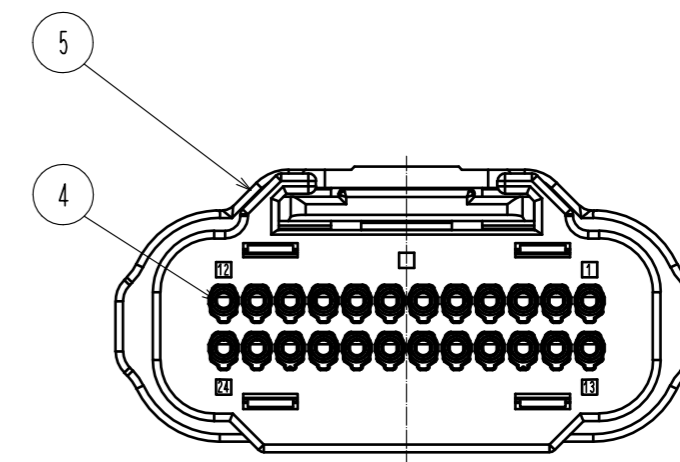
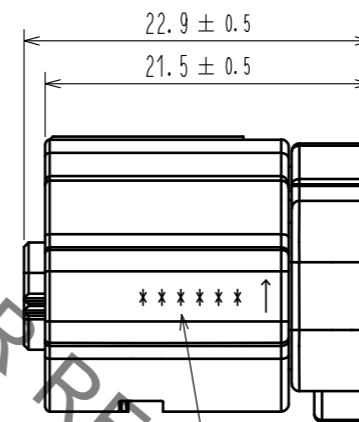
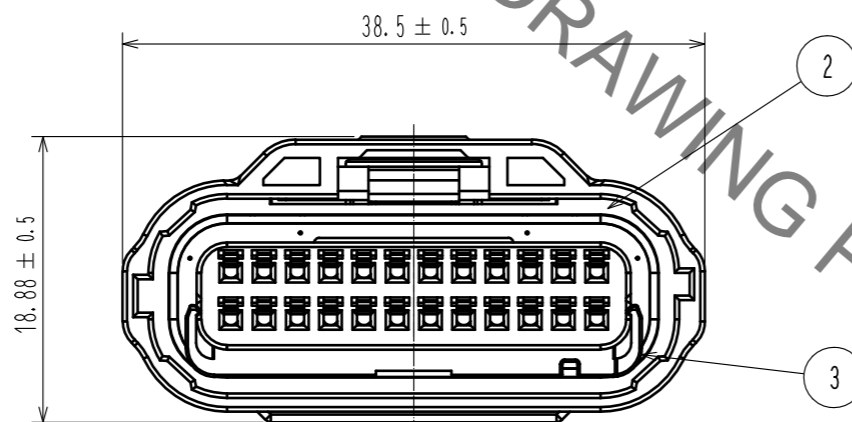
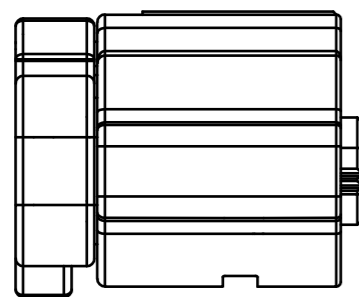
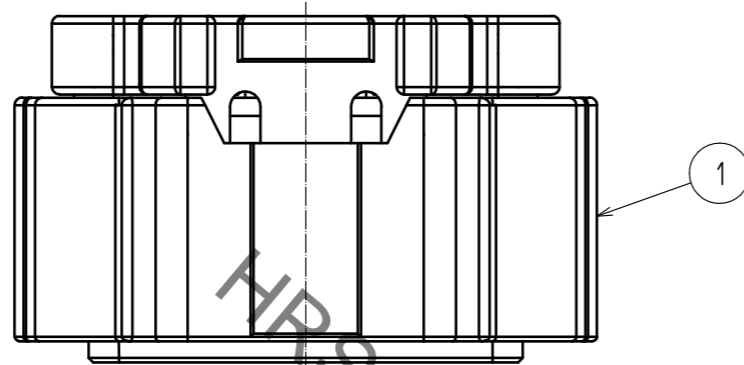
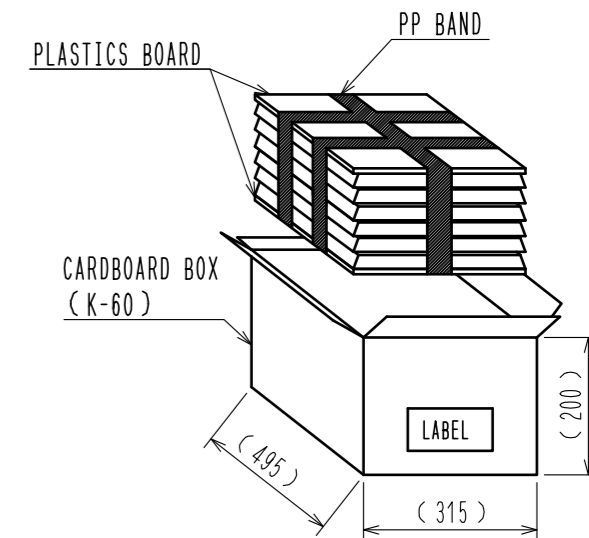


Jan.1.2021 Copyright 2021 HIROSE ELECTRIC CO., LTD. All Rights Reserved.
 In case of consideration for using Automotive equipment / device which demand high reliability, kindly contact our sales window correspondents.

ELV. RoHS COMPLIANT

△ Change display method

③ PACKING STYLE



LOT No.

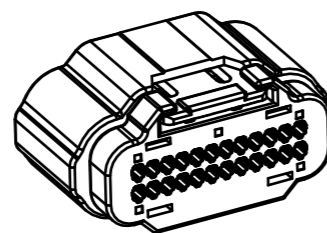
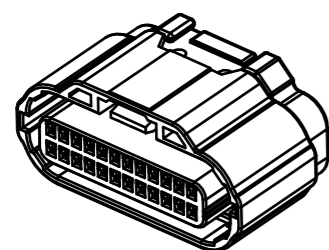
NOTE 1. APPLICABLE MATING CONNECTOR : ZE064W-24DP-HU/R(A)

2. THE APPLICABLE PARTS ARE AS FOLLOWS.

CRIMP CONTACT : ZE064-2022SCF

WATERPROOF CAP : ZE064W-WCP(2022)

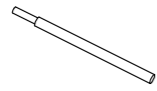
③ MAXIMUM NUMBER OF PRODUCT PER BOX : 55 PCS PER TRAY × 5 LAYERS = 275 PCS.
 PUT AN EMPTY TRAY ON THE TOP ROW.



| | | | | | |
|-----------------------------------|----------|-----------------|---------------------------------|--|-----------------|
| 3 | PA | BEIGE, UL94 V-0 | | | |
| 2 | SILICONE | RED | 5 | PBT | GRAY, UL94 V-0 |
| 1 | PA | BLACK, UL94 V-0 | 4 | SILICONE | RED |
| NO. | MATERIAL | FINISH, REMARKS | NO. | MATERIAL | FINISH, REMARKS |
| UNITS mm | | SCALE 2 : 1 | COUNT 1 | DESCRIPTION OF REVISIONS DIS-T-00006391 | |
| DESIGNED AS. SHIBAHARA | | | CHECKED HH. TSUKUMO | | |
| DATE 20200714 | | | DRAWING NO. EDC-374259-00-00 | | |
| APPROVED : HK. UMEHARA 20180613 | | | PART NO. ZE064W-24DS-HU/R(A) | | |
| CHECKED : HH. TSUKUMO 20180613 | | | CODE NO. CL753-2005-0-00 | | |
| DESIGNED : AS. SHIBAHARA 20180613 | | | ③ 1/5 | | |
| DRAWN : GYEONGMIN LEE 20180613 | | | | | |

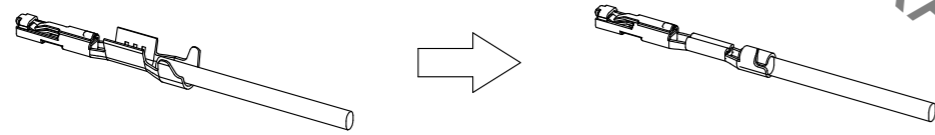
1. Assembly process

① Strip the cable.



Note: Please refer to 'Crimp Quality Standard' for strip length.

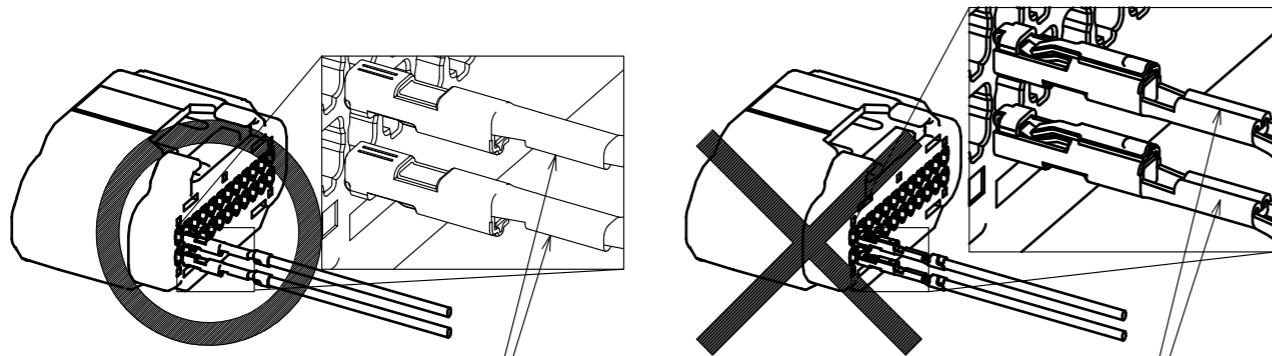
② Crimp the terminal to the core cable.



Note1: Please use HRS crimp tool.
2: Please refer to 'Crimp Quality Standard' for applicable terminal and crimp conditions.

③ Insert the terminal till it clicks hooked by the lance.

※ Please be careful not to insert it upside down.



At both the upper row and the lower, the terminal is inserted with the crimping portion facing downward.

The terminal is inserted with crimping portion facing upward.

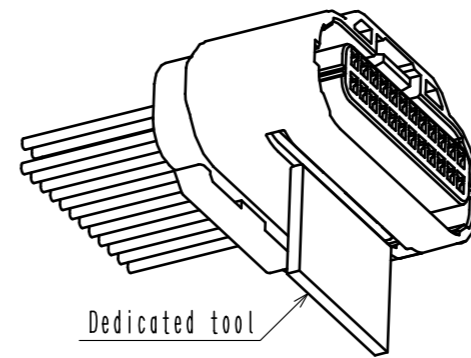
Note: Hold the cable and insert it straight.

④ Push the pre-set retainer until it clicks.

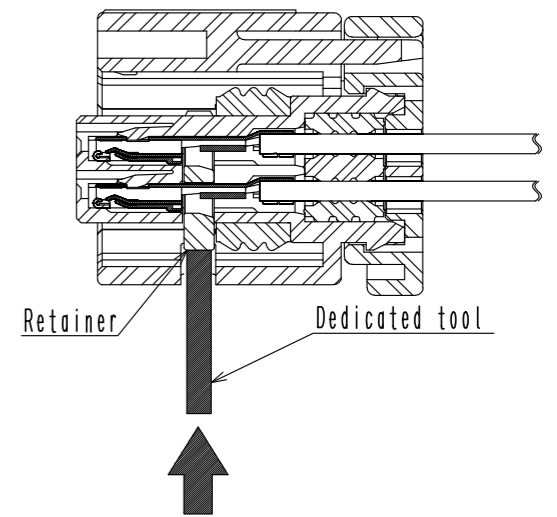
Please use a dedicated tool for the set of retainer.

※ Dedicated tool can be substituted as long as the following dimensions. (Plastic recommended.)

Pre-set state (Status at delivery)

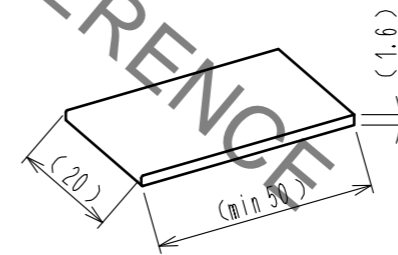


Cross section of connector



Push the dedicated tool in the direction indicated by the arrow.

Tool dimensions



HRS DRAWING FOR REFERENCE

| | | |
|------------|-------------|---------------------|
| HRS | DRAWING NO. | EDC-374259-00-00 |
| | PART NO. | ZE064W-24DS-HU/R(A) |
| | CODE NO. | CL753-2005-0-00 |
| | | 3/2/5 |

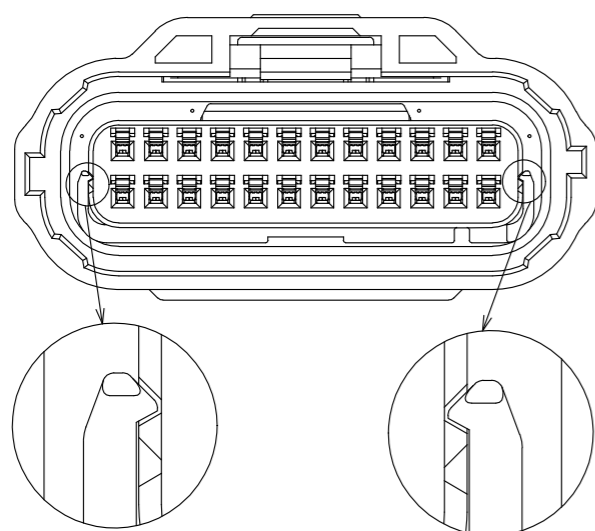
In case of consideration for using Automotive equipment / device which demand high reliability, kindly contact our sales window correspondents.

Jan.1.2021 Copyright 2021 HIROSE ELECTRIC CO., LTD. All Rights Reserved.
In case of consideration for using Automotive equipment / device which demand high reliability, kindly contact our sales window correspondents.

2. Repair process

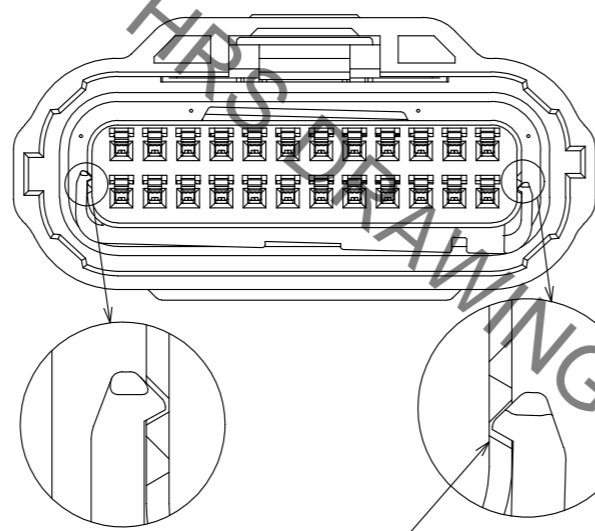
Set condition of retainer

After setting the retainer,
please make sure the retainer is not inclined as seen from the front.



*Set condition of retainer

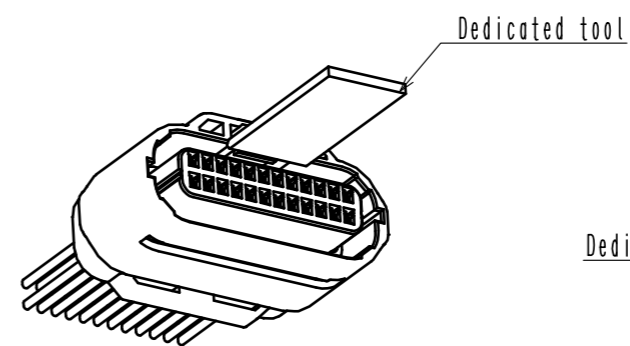
OK



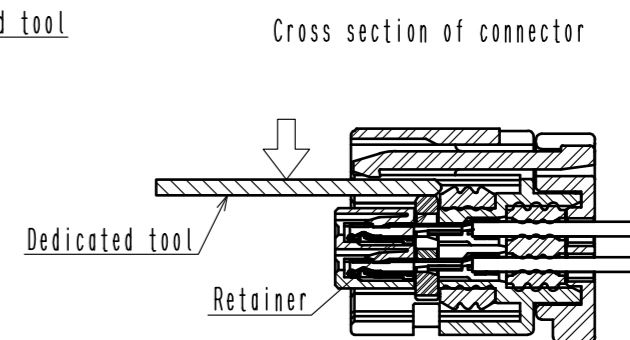
*One side of the retainer not installed.
(Even in the case of this left-right reversal.)

NG

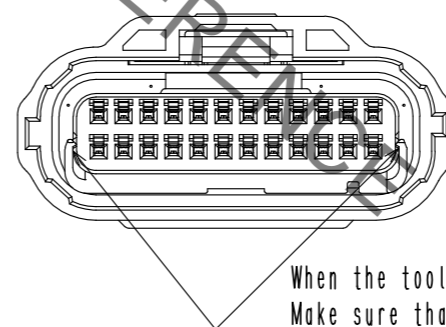
① Using the dedicated tool, release the lock of the retainer and return to the pre-set state.



Insert the dedicated tool
to housing(rock lever side).



Place the tool on the retainer
and push in the direction indicated by the arrow.



When the tool is pushed into, the retainer returns to the pre-set state.
Make sure that the retainer is in the pre-set state for both left and right.

Note. Please return to the pre-set position when the retainer drops out.

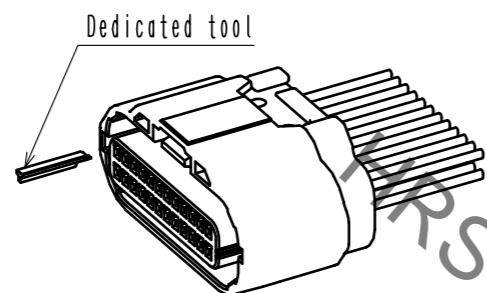
HRS

| | |
|-------------|---------------------|
| DRAWING NO. | EDC-374259-00-00 |
| PART NO. | ZE064W-24DS-HU/R(A) |
| CODE NO. | CL753-2005-0-00 |

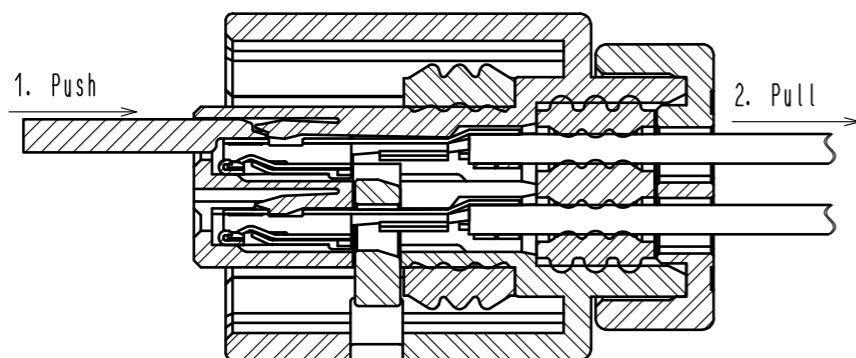
3/5

Jan.1.2021 Copyright 2021 HIROSE ELECTRIC CO., LTD. All Rights Reserved.
 In case of consideration for using Automotive equipment / device which demand high reliability, kindly contact our sales window correspondents.

② Insert the dedicated tool into the terminal hole, and push until it hits.
 After pushing in, please remove the terminal while maintaining that state.



Note. Insertion into the same terminal hole is limited to 2 times.
 Please use the new housing after the third time.



③ The list of dedicated tools for repair

Part number list of retainer repair tool

| Applicable products | Product name | Part number |
|-----------------------|----------------------|-------------|
| ZE064W-*S-HU/R(A)(##) | ZE064W-DS-HU/R/CV-MD | 902-5151-0 |
| ZE064W-*S-HU/R(B)(##) | | |

(##) = Specification Number

Part number list of crimp contact repair tool

| Applicable products | Product name | Part number |
|---------------------|---------------|-------------|
| ZE064-2022SCF(##) | ZE064-S/RE-MD | 902-5149-0 |

(##) = Specification Number

HRS DRAWING FOR REFERENCE

| | | | | | |
|------------|-------------|---------------------|--|---|---|
| HRS | DRAWING NO. | EDC-374259-00-00 | | | |
| | PART NO. | ZE064W-24DS-HU/R(A) | | | |
| | CODE NO. | CL753-2005-0-00 | <table border="1" style="display: inline-table;"> <tr> <td style="text-align: center;">3</td> <td style="text-align: center;">4</td> <td style="text-align: center;">5</td> </tr> </table> | 3 | 4 |
| 3 | 4 | 5 | | | |

Jan.1.2021 Copyright 2021 HIROSE ELECTRIC CO., LTD. All Rights Reserved.
In case of consideration for using Automotive equipment / device which demand high reliability, kindly contact our sales window correspondents.

3. Remarks

- 1) Do not touch the terminal contacts and the inside of the barrel.
- 2) Wear hand gloves or finger coat when touching the terminals to prevent corrosion.
- 3) Handle the terminals carefully to avoid deformation or dirt sticking by putting things on or dropping.
- 4) If the terminals are caught each other, please do not try to pull out roughly, but loosen them carefully.
- 5) Be careful not to deform the terminal when touching it.
- 6) Cables with crimped terminals need to be kept carefully so that the terminals do not catch each other. When the cables are bundled, make sure the stress is not applied on terminals.
- 7) Please be careful not to give a big shock.
- 8) Avoid storing in dusty places.
- 9) Please do not place wire harness on the floor.
- 10) Avoid handling that causes deformation or scratches of housing, or deformation of the terminal.
- 11) When installing the harness, it is recommended to clamp it within 100mm from the neck bottom of connector.

4. Crimp Quality Standard

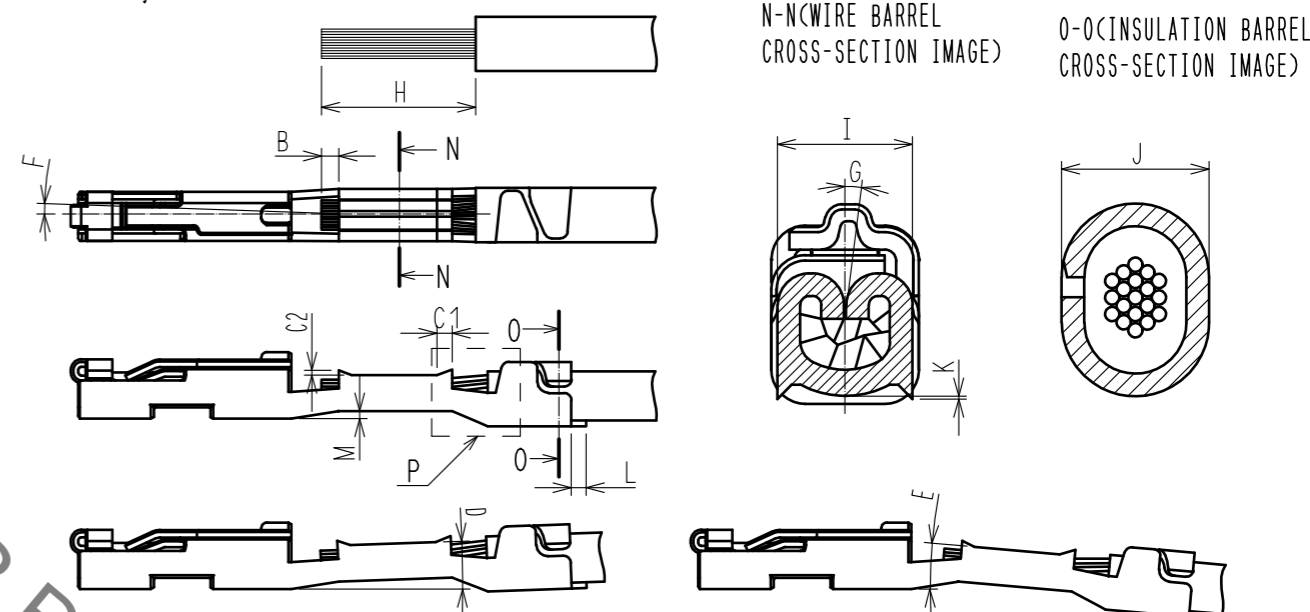
1. Scope

This technical specification prescribes crimp condition of ZE064-2022SCF (CL753-2001-0)

2. Applicable wire

- Applicable wire size : 0.3~0.5SQ
- Applicable insulation size : $\phi 1.4 \sim \phi 1.7$

3. Quality standard



| CHECK POINT | MEASURE (mm) |
|--|-----------------------------|
| COVER LOCATION | A 0.3~0.8 |
| LOCATION OF TIP OF THE CORE | B 0.1~0.6 |
| BELL-MOUTH | C1 0.1~0.5 |
| | C2 0.5 max |
| BEND-UP | D 2° max |
| BEND-DOWN | E 3° max |
| TWIST | F $\pm 2^\circ$ max |
| ROLLING | G $\pm 5^\circ$ max |
| STRIP LENGTH | H 4.0~4.3 |
| WIDTH | WIRE BARREL I 1.6 max |
| | INSULATION BARREL J 1.8 max |
| HEIGHT OF METAL CUT-OUT TEETH | K 0.12 max |
| CUT-OFF TAB | L 0.1 max |
| DIFFERENCE IN LEVEL ON TRANSITION PART | M 0.3 max |
| APPLY ONLY BEND-UP | |

Note1. Refer to a crimp condition list for the crimp height.

Note2. There is a possibility that a terminal is involved in covering and crowded by the crimping, but it's no problem on the product function.

Note3. Please confirm that the terminal which did crimp enters a housing.

| | | |
|------------|-------------|---------------------|
| HRS | DRAWING NO. | EDC-374259-00-00 |
| | PART NO. | ZE064W-24DS-HU/R(A) |
| | CODE NO. | CL753-2005-0-00 |
| | | 3/5 |