

Jan.1.2021 Copyright 2021 HIROSE ELECTRIC CO., LTD. All Rights Reserved.
 In case of consideration for using Automotive equipment / device which demand high reliability, kindly contact our sales window correspondents.

ELV, RoHS COMPLIANT

△ Change display method

③ PACKING STYLE

PLASTICS BOARD

PP BAND

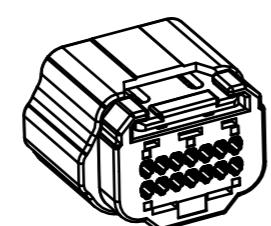
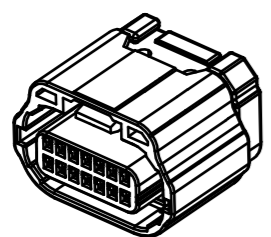
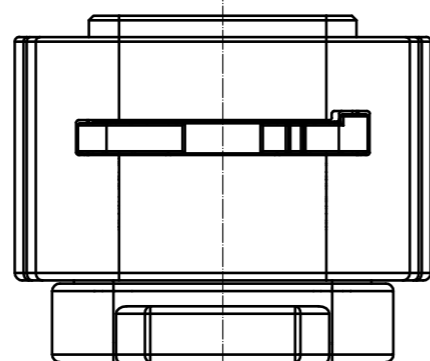
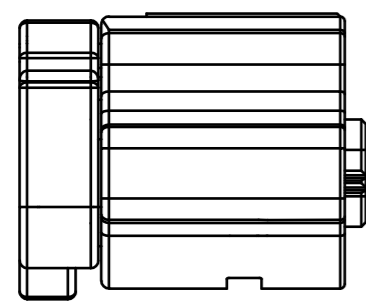
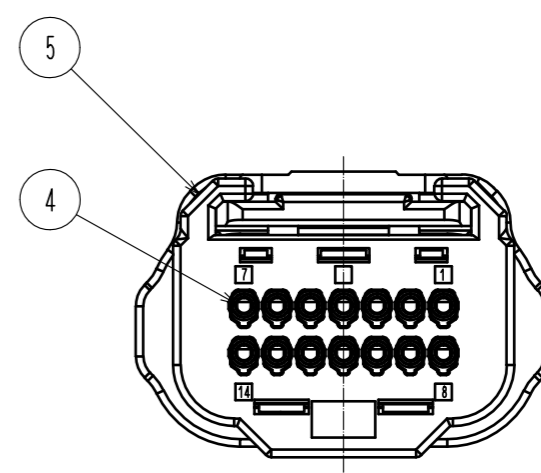
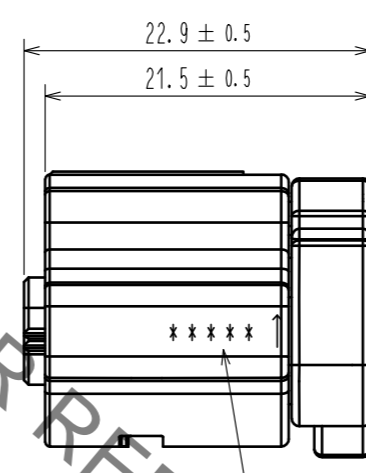
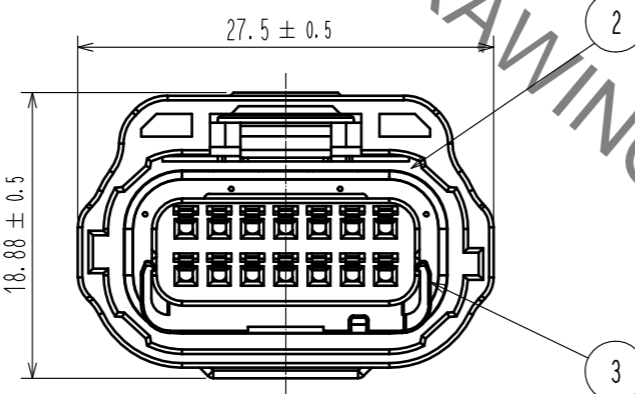
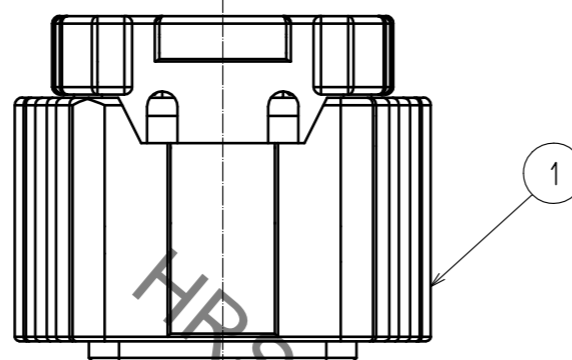
CARDBOARD BOX
(K-60)

LABEL

(495)

(315)

(200)



LOT No.

NOTE1. APPLICABLE MATING CONNECTOR : ZE064W-14DP-HU/R(B)

2. THE APPLICABLE PARTS ARE AS FOLLOWS.

CRIMP CONTACT : ZE064-2022SCF

WATERPROOF CAP : ZE064W-WCP(2022)

③ MAXIMUM NUMBER OF PRODUCT PER BOX: 96 PCS PER TRAY × 5 LAYERS = 480 PCS.
 PUT AN EMPTY TRAY ON THE TOP ROW.

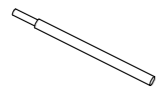
NO.	MATERIAL	FINISH . REMARKS	NO.	MATERIAL	FINISH . REMARKS
3	PA	BEIGE, UL94 V-0	5	PBT	GRAY, UL94 V-0
2	SILICONE	RED	4	SILICONE	RED
1	PA	GRAY, UL94 V-0			

UNITS	SCALE	COUNT	DESCRIPTION OF REVISIONS	DESIGNED	CHECKED	DATE
mm	2 : 1	1	DIS-T-00006391	AS. SHIBAHARA	HH. TSUKUMO	20200714

APPROVED	: HK. UMEHARA	20190108	DRAWING NO.	EDC-378451-00-00
CHECKED	: HK. UMEHARA	20190108	PART NO.	ZE064W-14DS-HU/R(B)
DESIGNED	: HH. TSUKUMO	20190108	CODE NO.	CL753-2011-0-00
DRAWN	: GYEONGMIN LEE	20190108		

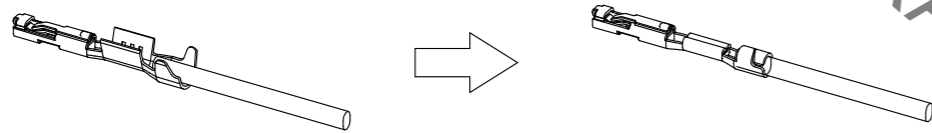
1. Assembly process

① Strip the cable.



Note: Please refer to 'Crimp Quality Standard' for strip length.

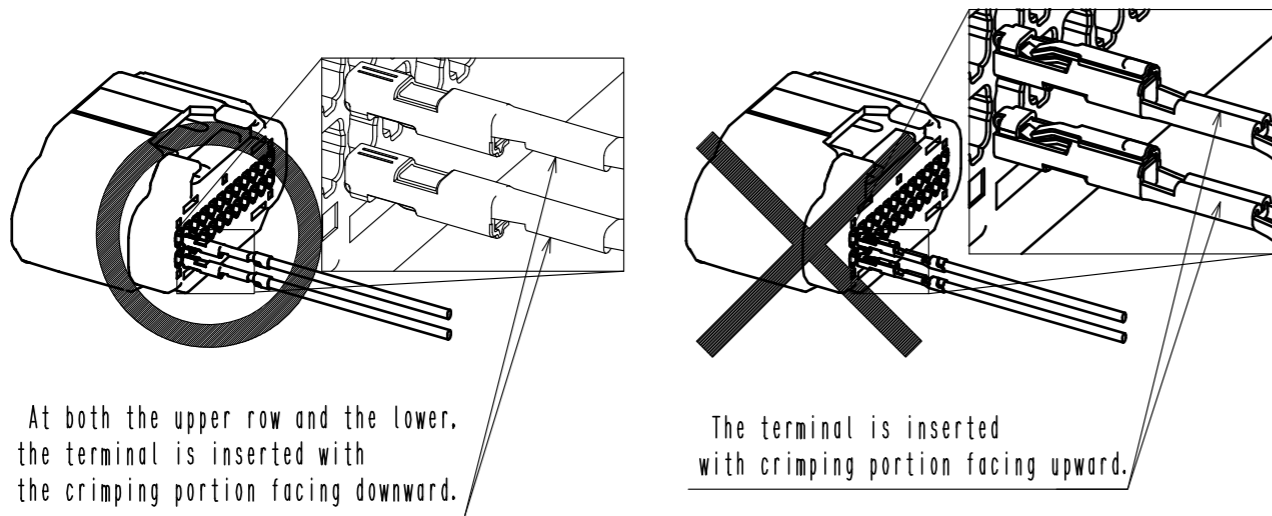
② Crimp the terminal to the core cable.



Note1: Please use HRS crimp tool.
2: Please refer to 'Crimp Quality Standard' for applicable terminal and crimp conditions.

③ Insert the terminal till it clicks hooked by the lance.

※ Please be careful not to insert it upside down.



At both the upper row and the lower, the terminal is inserted with the crimping portion facing downward.

The terminal is inserted with crimping portion facing upward.

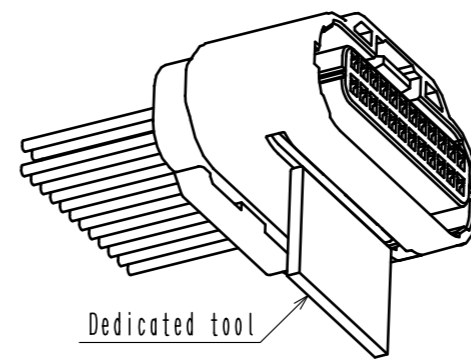
Note: Hold the cable and insert it straight.

④ Push the pre-set retainer until it clicks.

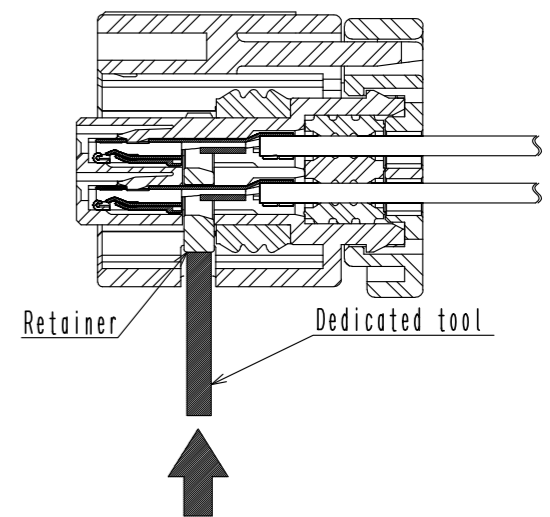
Please use a dedicated tool for the set of retainer.

※ Dedicated tool can be substituted as long as the following dimensions. (Plastic recommended.)

Pre-set state (Status at delivery)

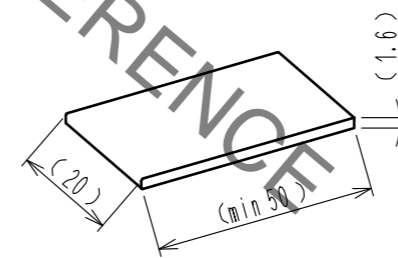


Cross section of connector



Retainer
Dedicated tool
Push the dedicated tool in the direction indicated by the arrow.

Tool dimensions



HRS DRAWING FOR REFERENCE

HRS	DRAWING NO.	EDC-378451-00-00
	PART NO.	ZE064W-14DS-HU/R(B)
	CODE NO.	CL753-2011-0-00
		2/5

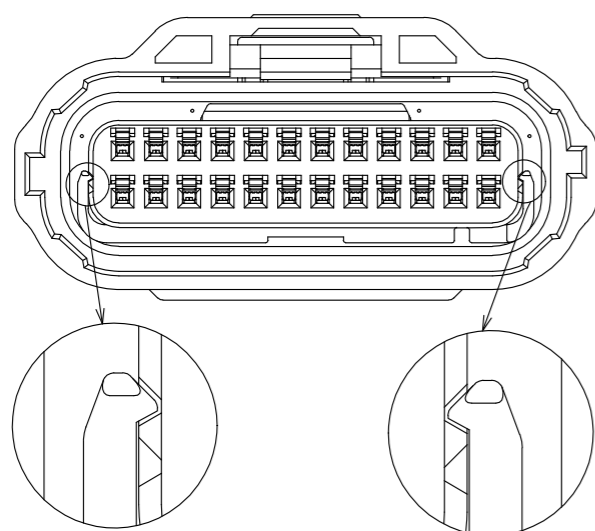
In case of consideration for using Automotive equipment / device which demand high reliability, kindly contact our sales window correspondents.

Jan.1.2021 Copyright 2021 HIROSE ELECTRIC CO., LTD. All Rights Reserved.
In case of consideration for using Automotive equipment / device which demand high reliability, kindly contact our sales window correspondents.

2. Repair process

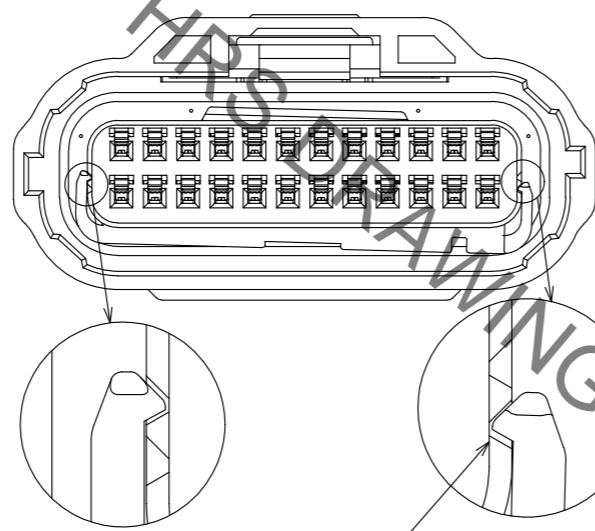
Set condition of retainer

After setting the retainer,
please make sure the retainer is not inclined as seen from the front.



*Set condition of retainer

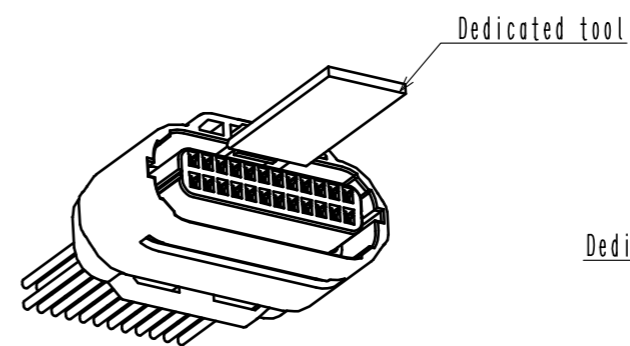
OK



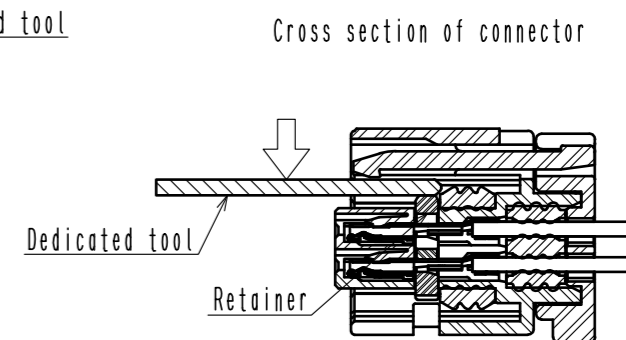
*One side of the retainer not installed.
(Even in the case of this left-right reversal.)

NG

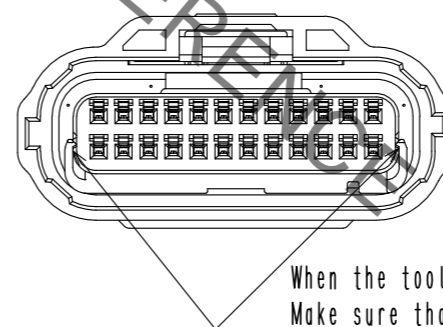
① Using the dedicated tool, release the lock of the retainer and return to the pre-set state.



Insert the dedicated tool
to housing(rock lever side).



Place the tool on the retainer
and push in the direction indicated by the arrow.



When the tool is pushed into, the retainer returns to the pre-set state.
Make sure that the retainer is in the pre-set state for both left and right.

Note. Please return to the pre-set position when the retainer drops out.

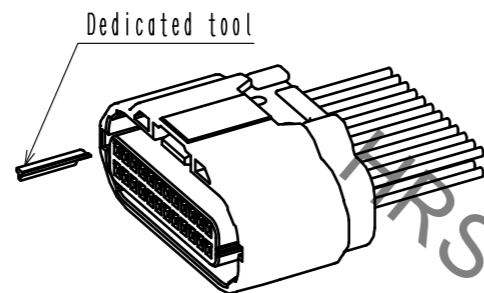
HRS

DRAWING NO.	EDC-378451-00-00
PART NO.	ZE064W-14DS-HU/R(B)
CODE NO.	CL753-2011-0-00

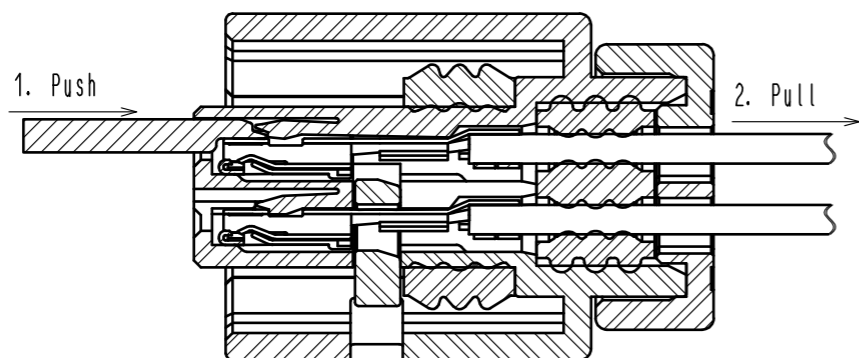
3/5

Jan.1.2021 Copyright 2021 HIROSE ELECTRIC CO., LTD. All Rights Reserved.
 In case of consideration for using Automotive equipment / device which demand high reliability, kindly contact our sales window correspondents.

② Insert the dedicated tool into the terminal hole, and push until it hits.
 After pushing in, please remove the terminal while maintaining that state.



Note. Insertion into the same terminal hole is limited to 2 times.
 Please use the new housing after the third time.



③ The list of dedicated tools for repair

Part number list of retainer repair tool

Applicable products	Product name	Part number
ZE064W-*S-HU/R(A)(##)	ZE064W-DS-HU/R/CV-MD	902-5151-0
ZE064W-*S-HU/R(B)(##)		

(##) = Specification Number

Part number list of crimp contact repair tool

Applicable products	Product name	Part number
ZE064-2022SCF(##)	ZE064-S/RE-MD	902-5149-0

(##) = Specification Number

HRS DRAWING FOR REFERENCE

HRS	DRAWING NO.	EDC-378451-00-00	
	PART NO.	ZE064W-14DS-HU/R(B)	
	CODE NO.	CL753-2011-0-00	4/5

Jan.1.2021 Copyright 2021 HIROSE ELECTRIC CO., LTD. All Rights Reserved.
In case of consideration for using Automotive equipment / device which demand high reliability, kindly contact our sales window correspondents.

3. Remarks

- 1) Do not touch the terminal contacts and the inside of the barrel.
- 2) Wear hand gloves or finger coat when touching the terminals to prevent corrosion.
- 3) Handle the terminals carefully to avoid deformation or dirt sticking by putting things on or dropping.
- 4) If the terminals are caught each other, please do not try to pull out roughly, but loosen them carefully.
- 5) Be careful not to deform the terminal when touching it.
- 6) Cables with crimped terminals need to be kept carefully so that the terminals do not catch each other. When the cables are bundled, make sure the stress is not applied on terminals.
- 7) Please be careful not to give a big shock.
- 8) Avoid storing in dusty places.
- 9) Please do not place wire harness on the floor.
- 10) Avoid handling that causes deformation or scratches of housing, or deformation of the terminal.
- 11) When installing the harness, it is recommended to clamp it within 100mm from the neck bottom of connector.

4. Crimp Quality Standard

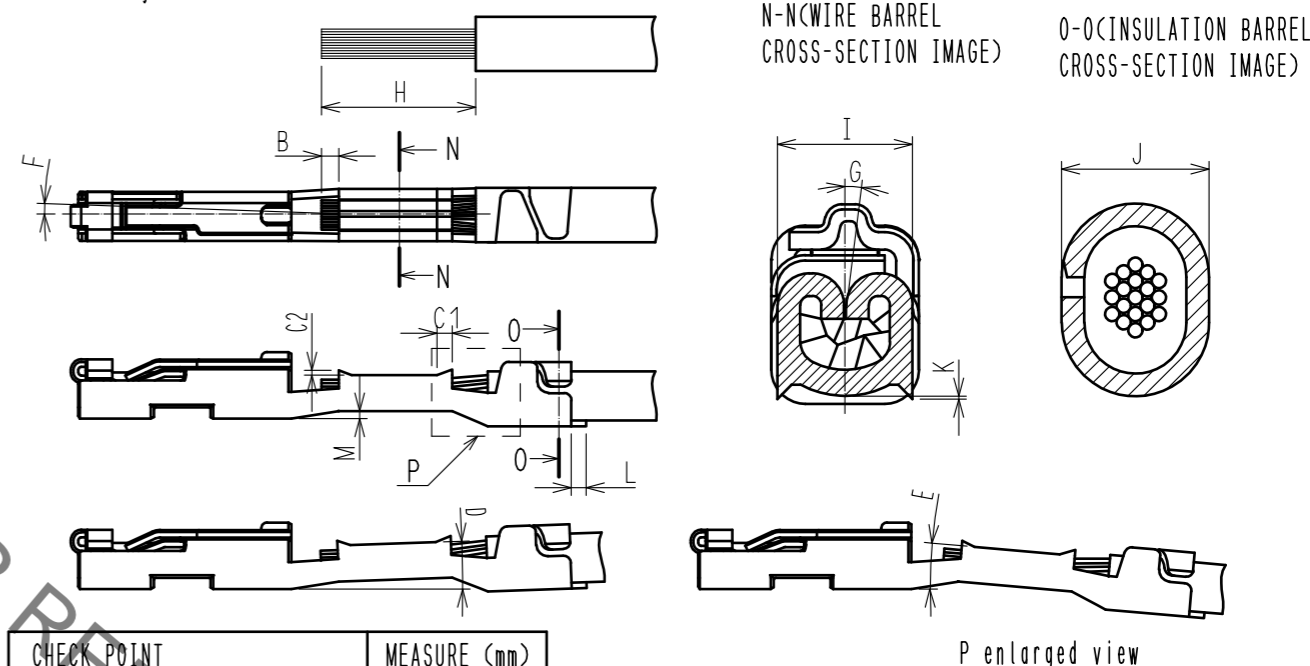
1. Scope

This technical specification prescribes crimp condition of ZE064-2022SCF (CL753-2001-0)

2. Applicable wire

- Applicable wire size : 0.3~0.5SQ
- Applicable insulation size : $\phi 1.4 \sim \phi 1.7$

3. Quality standard



CHECK POINT	MEASURE (mm)
COVER LOCATION	A 0.3~0.8
LOCATION OF TIP OF THE CORE	B 0.1~0.6
BELL-MOUTH	C1 0.1~0.5
	C2 0.5 max
BEND-UP	D 2° max
BEND-DOWN	E 3° max
TWIST	F $\pm 2^\circ$ max
ROLLING	G $\pm 5^\circ$ max
STRIP LENGTH	H 4.0~4.3
WIDTH	WIRE BARREL I 1.6 max
	INSULATION BARREL J 1.8 max
HEIGHT OF METAL CUT-OUT TEETH	K 0.12 max
CUT-OFF TAB	L 0.1 max
DIFFERENCE IN LEVEL ON TRANSITION PART	M 0.3 max
APPLY ONLY BEND-UP	

Note1. Refer to a crimp condition list for the crimp height.

Note2. There is a possibility that a terminal is involved in covering and crowded by the crimping, but it's no problem on the product function.

Note3. Please confirm that the terminal which did crimp enters a housing.

HRS	DRAWING NO.	EDC-378451-00-00
	PART NO.	ZE064W-14DS-HU/R(B)
	CODE NO.	CL753-2011-0-00

5/5