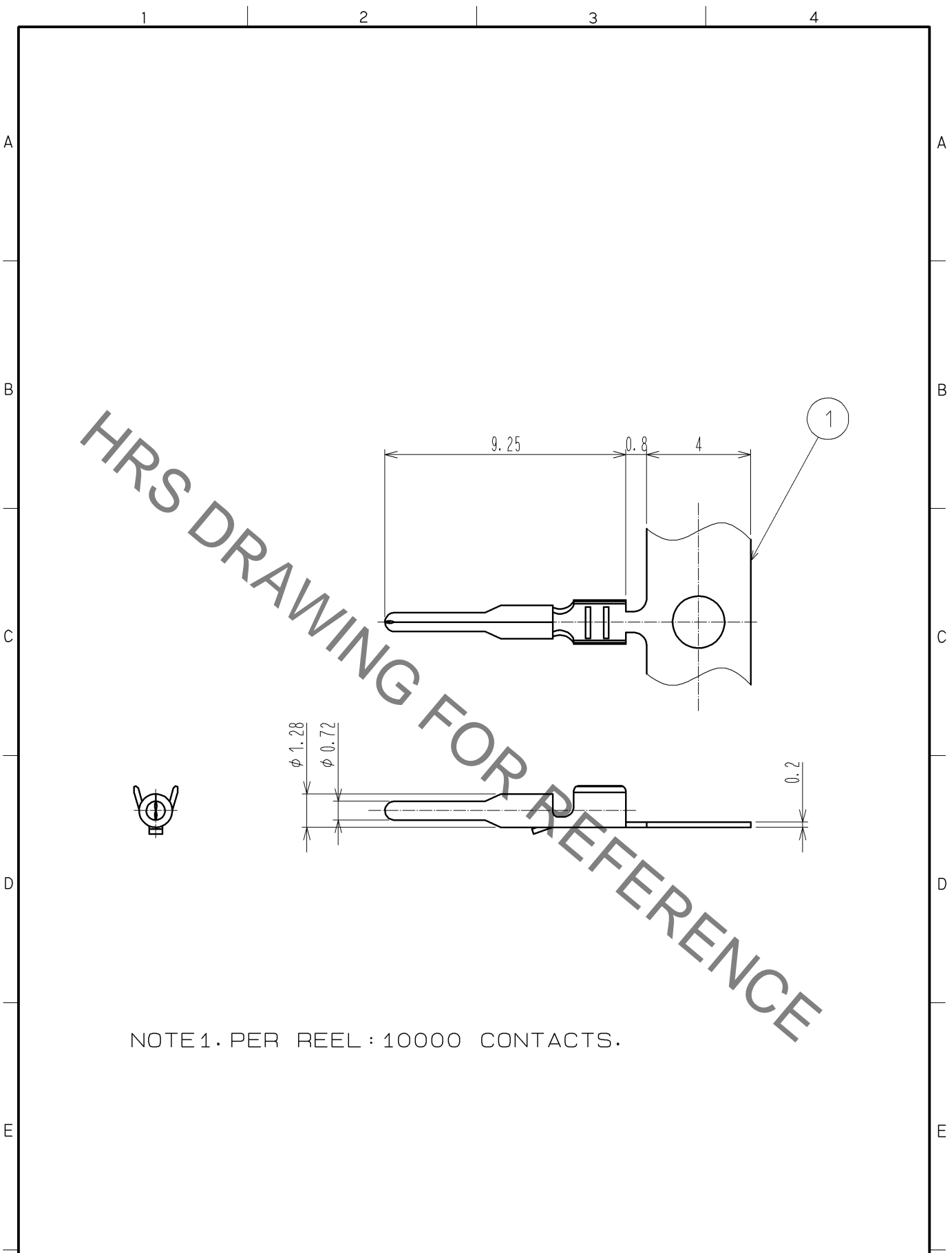


Oct.1.2019 Copyright 2019 HIROSE ELECTRIC CO., LTD. All Rights Reserved.
 In case of consideration for using Automotive equipment / device which demand high reliability, kindly contact our sales window correspondents.



NOTE1. PER REEL : 10000 CONTACTS.

1	BRASS	TIN PLATED						
NO.	MATERIAL	FINISH .	REMARKS	NO.	MATERIAL	FINISH .	REMARKS	
UNITS mm		SCALE 5 : 1	COUNT 	DESCRIPTION OF REVISIONS		DESIGNED	CHECKED	DATE
HIROSE ELECTRIC CO., LTD.		APPROVED : AR. SHIRAI	12. 04. 09	DRAWING NO.		EDC4-165797-01		
		CHECKED : MO. OKADA	12. 04. 06	PART NO.		GT16-2428PCF		
		DESIGNED : MH. YAMAGUCHI	12. 04. 06	CODE NO.		CL766-0006-6-00		
		DRAWN : KT. OKABE	12. 04. 06			1/1		