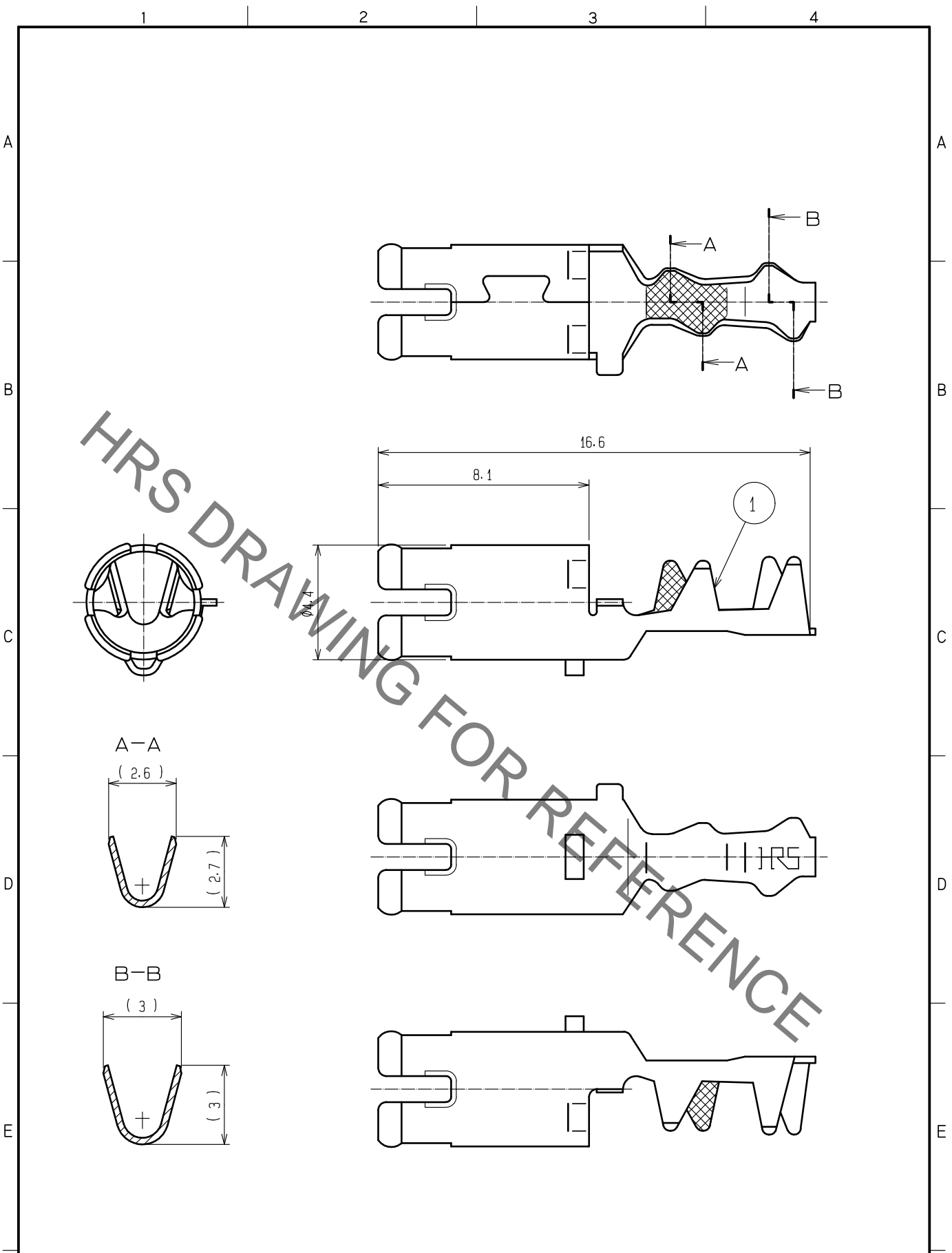


Oct.1.2019 Copyright 2019 HIROSE ELECTRIC CO., LTD. All Rights Reserved.
 In case of consideration for using Automotive equipment / device which demand high reliability, kindly contact our sales window correspondents.



1	PHOSPHOR BRONZE	TIN PLATED						
NO.	MATERIAL	FINISH .	REMARKS	NO.	MATERIAL	FINISH .	REMARKS	
UNITS mm		SCALE 5 : 1	COUNT 	DESCRIPTION OF REVISIONS		DESIGNED	CHECKED	DATE
HIROSE ELECTRIC CO., LTD.		APPROVED	·NH. NAKATA	15.08.08	DRAWING NO.	EDC-165922-00-00		
		CHECKED	·KI. HIROKAWA	15.08.07	PART NO.	GT16C- / 0.7-1.5 PC		
		DESIGNED	·NK. IKUTA	15.08.06	CODE NO.	CL766-0018-5-00		1/1
		DRAWN	·NK. IKUTA	15.08.06				