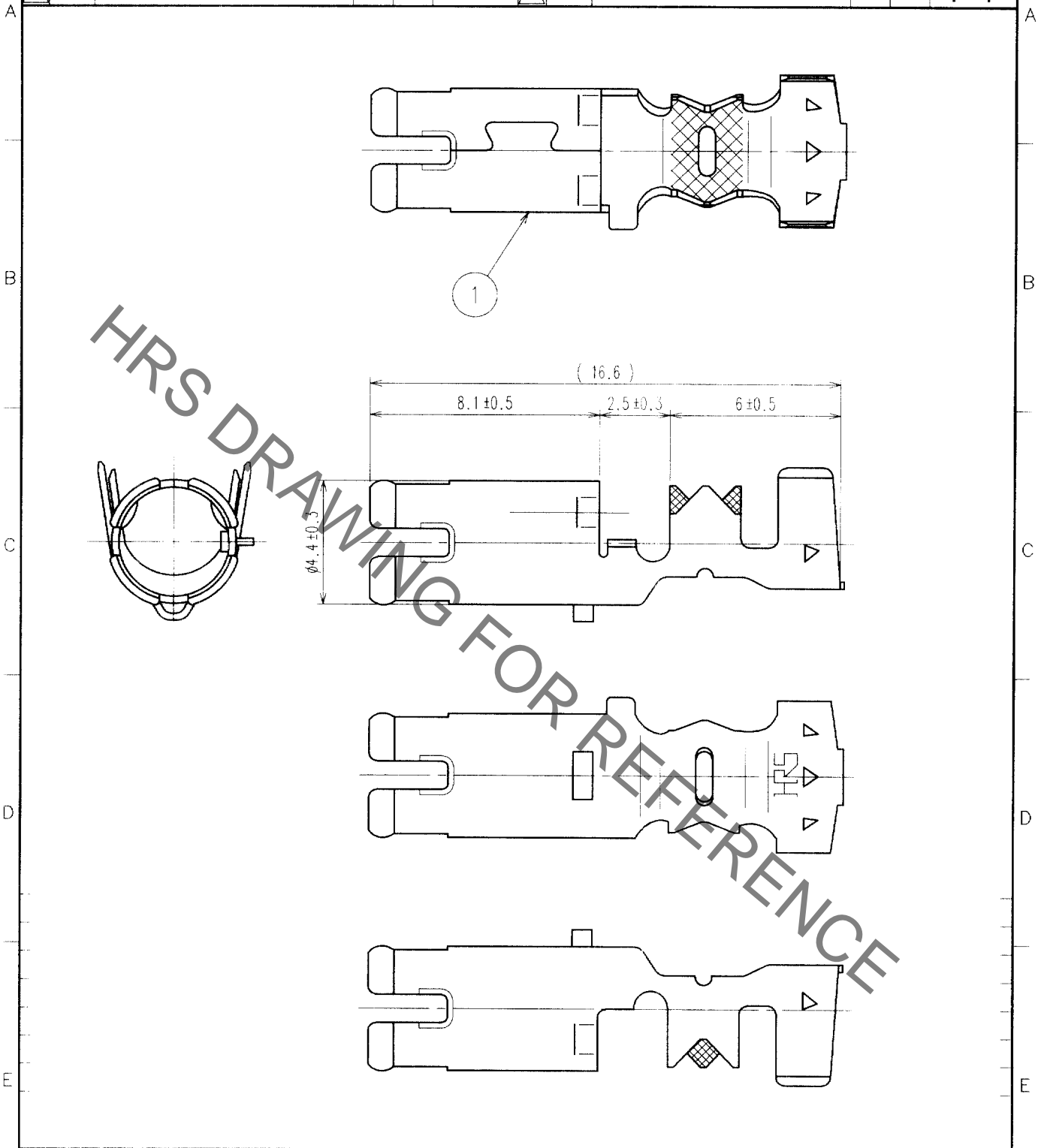


Oct.1.2019 Copyright 2019 HIROSE ELECTRIC CO., LTD. All Rights Reserved.
 In case of consideration for using Automotive equipment / device which demand high reliability, kindly contact our sales window correspondents.

1		2			3			4		
COUNT	DESCRIPTION OF REVISIONS	BY	CHKD	DATE	COUNT	DESCRIPTION OF REVISIONS	BY	CHKD	DATE	
△					△					
△					△					
△					△					



1	PHOSPHOR BRONZE	TIN PLATED , T=0.25				
NO.	MATERIAL	FINISH, REMARKS	NO.	MATERIAL	FINISH, REMARKS	
CODE NO. (OLD)			DRAWN	DESIGNED	CHECKED	APPROVED
			T.SHISHIKURA	T.SHISHIKURA	<i>N. Haru- bayashi</i>	<i>K. Aoto</i>
			'03 .8 .6	'03 .8 .6	03. 8. 6	03. 3. 1
						RELEASED
DRAWING NO. EDC4-165923			PART NO. GT16C- / 1.6-2.9PC			
HRS HIROSE ELECTRIC CO., LTD.			CODE NO. CL766-0019-8			
SACLE 5 : 1 UNITS mm			1/1			

TO