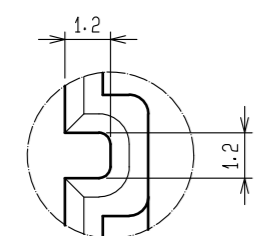


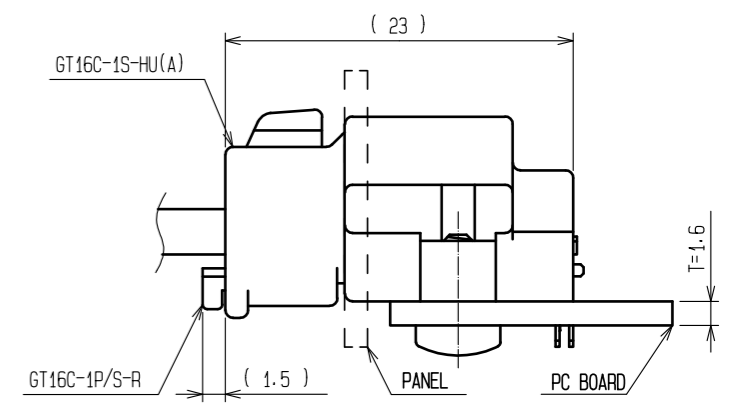
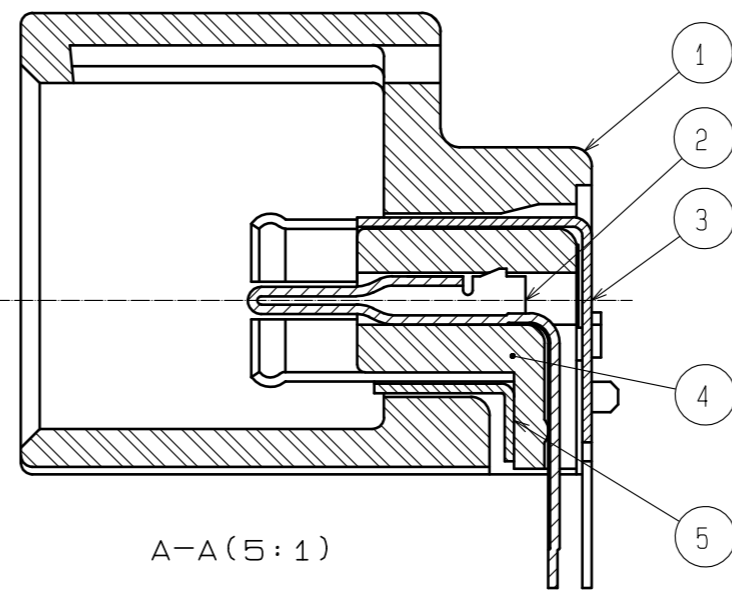
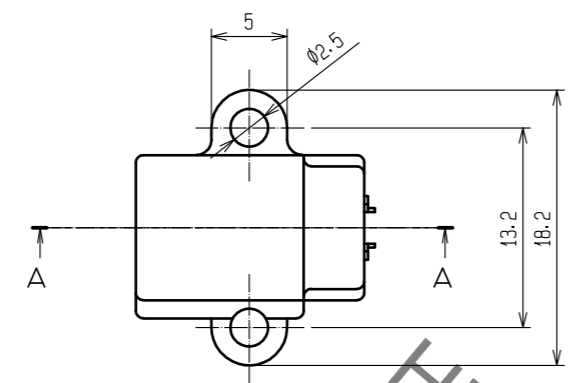
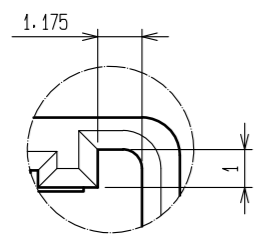
Oct.1.2019 Copyright 2019 HIROSE ELECTRIC CO., LTD. All Rights Reserved.
In case of consideration for using Automotive equipment / device which demand high reliability, kindly contact our sales window correspondents.

ELV. RoHS COMPLIANT

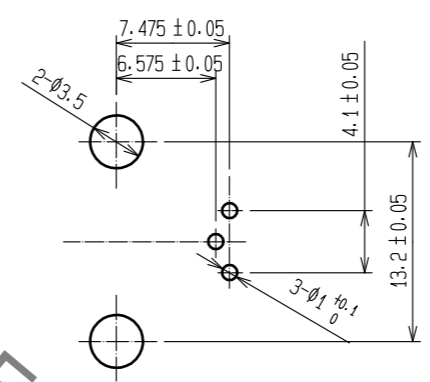
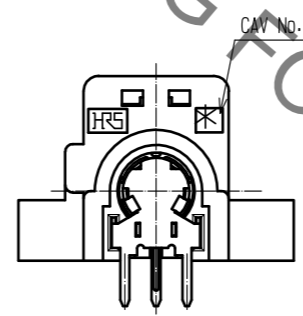
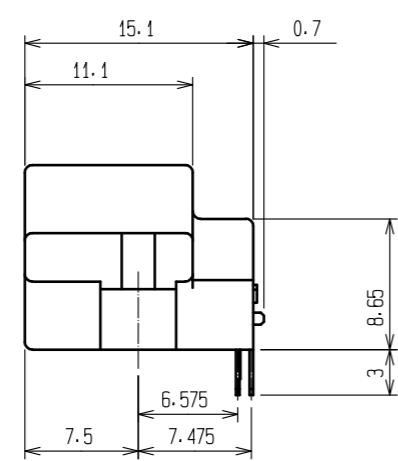
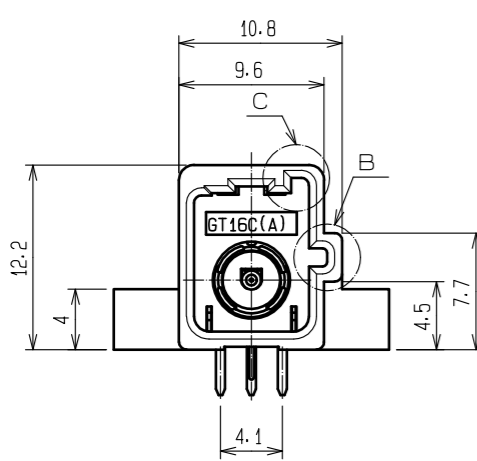
B (5:1)



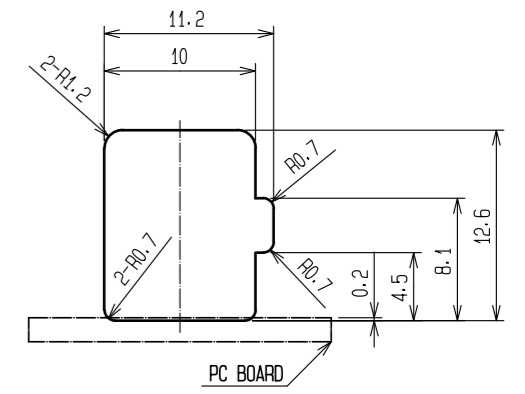
C (5:1)



MATED CONNECTORS



RECOMMENDED PC BOARD HOLE PATTERN



RECOMMENDED PANEL CUTOUT

NOTE1. FIXING SCREW SHALL BE IN ACCORDANCE WITH ISO 1481 OR 7049. NOMINAL DIAMETER 3, AND LENGTH 6.

3	PHOSPHOR BRONZE	TIN PLATED T=0.25			
2	PHOSPHOR BRONZE	TIN PLATED T=0.25	5	PHOSPHOR BRONZE	TIN PLATED T=0.25
1	PBT	BROWN	4	PPS	NATURAL
NO.	MATERIAL	FINISH . REMARKS	NO.	MATERIAL	FINISH . REMARKS
UNITS	mm	SCALE	2 : 1	COUNT	DESCRIPTION OF REVISIONS
					DESIGNED
					CHECKED
					DATE
APPROVED : NH. NAKATA			15.09.03	DRAWING NO. EDC-166308-00-00	
CHECKED : KI. HIROKAWA			15.09.03	PART NO. GT16C-1P-DS(A)	
DESIGNED : ming. jiang			15.08.24	CODE NO. CL766-0062-7-00	
DRAWN : ming. jiang			15.08.24		