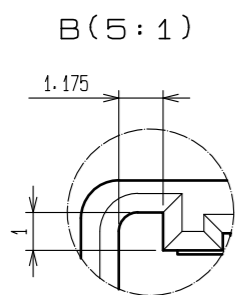
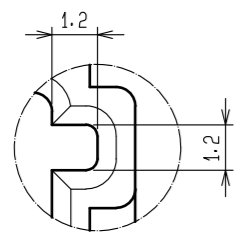


Oct.1.2019 Copyright 2019 HIROSE ELECTRIC CO., LTD. All Rights Reserved.
In case of consideration for using Automotive equipment / device which demand high reliability, kindly contact our sales window correspondents.

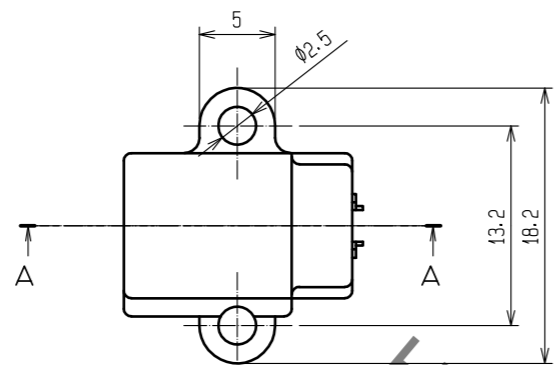
ELV. RoHS COMPLIANT



B (5:1)

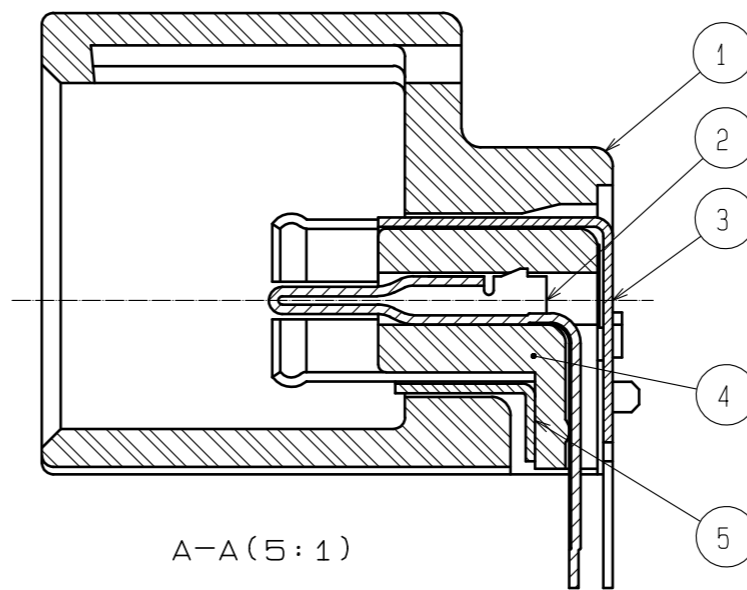


C (5:1)

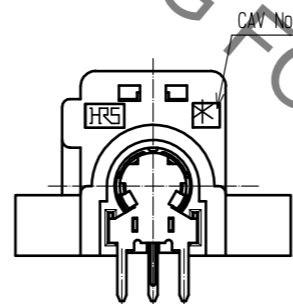
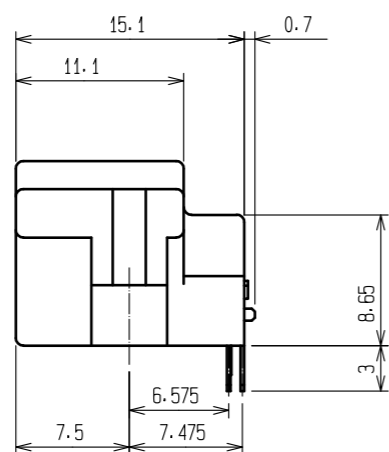
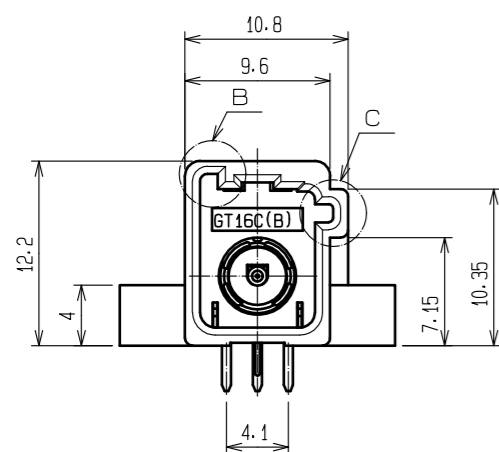


A

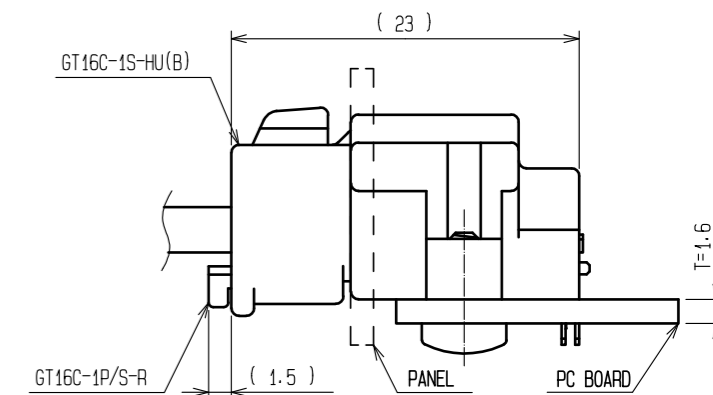
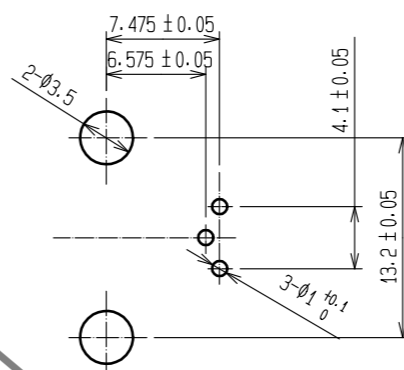
HRS DRAWING FOR REFERENCE



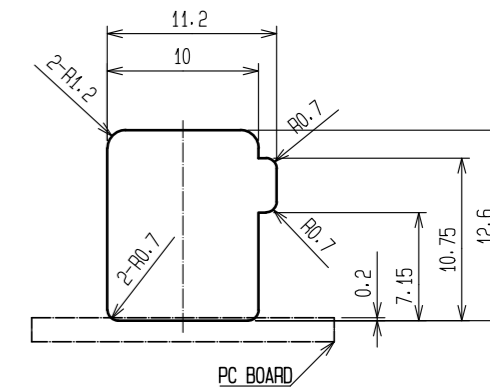
A-A (5:1)



RECOMMENDED PC BOARD HOLE PATTERN



MATED CONNECTORS



RECOMMENDED PANEL CUTOUT

NOTE1. FIXING SCREW SHALL BE IN ACCORDANCE WITH ISO 1481 OR 7049, NOMINAL DIAMETER 3, AND LENGTH 6.

3	PHOSPHOR BRONZE	TIN PLATED T=0.25			
2	PHOSPHOR BRONZE	TIN PLATED T=0.25	5	PHOSPHOR BRONZE	TIN PLATED T=0.25
1	PBT	GREEN	4	PPS	NATURAL
NO.	MATERIAL	FINISH . REMARKS	NO.	MATERIAL	FINISH . REMARKS
UNITS	mm	SCALE	2 : 1	COUNT	DESCRIPTION OF REVISIONS
APPROVED : NH. NAKATA			15.09.03	DRAWING NO. EDC-166309-00-00	
CHECKED : KI. HIROKAWA			15.09.03	PART NO. GT16C-1P-DS(B)	
DESIGNED : ming. jiang			15.08.24	CODE NO. CL766-0063-0-00	
DRAWN : ming. jiang			15.08.24	DATE	