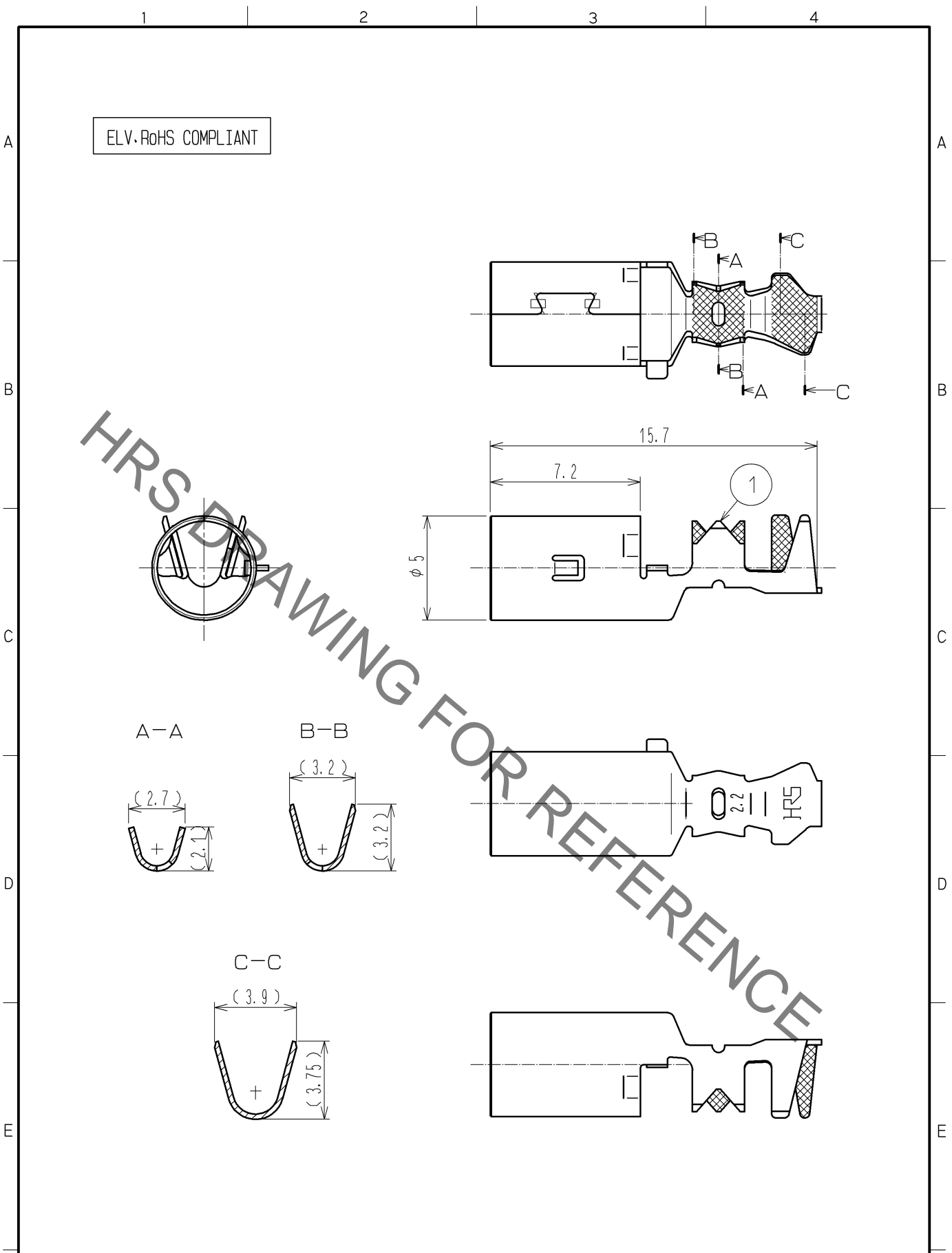


Oct.1.2019 Copyright 2019 HIROSE ELECTRIC CO., LTD. All Rights Reserved.  
 In case of consideration for using Automotive equipment / device which demand high reliability, kindly contact our sales window correspondents.



|                                 |                          |                |             |                          |          |          |
|---------------------------------|--------------------------|----------------|-------------|--------------------------|----------|----------|
| 1                               | PHOSPHOR BRONZE          | TIN PLATED     |             |                          |          |          |
| NO.                             | MATERIAL                 | FINISH .       | REMARKS     | NO.                      | MATERIAL | FINISH . |
| UNITS<br>mm                     |                          | SCALE<br>4 : 1 | COUNT<br>   | DESCRIPTION OF REVISIONS | DESIGNED | CHECKED  |
| HIROSE<br>ELECTRIC<br>CO., LTD. | APPROVED : KS. SATOH     | 09. 03. 30     | DRAWING NO. | EDC4-166957-00           |          |          |
|                                 | CHECKED : MO. OKADA      | 09. 03. 30     | PART NO.    | GT16- /1. 1-2. 2SC       |          |          |
|                                 | DESIGNED : MH. YAMAGUCHI | 09. 03. 27     | CODE NO.    | CL766-0088-0-00          |          |          |
|                                 | DRAWN : MH. YAMAGUCHI    | 09. 03. 27     |             | 1/1                      |          |          |