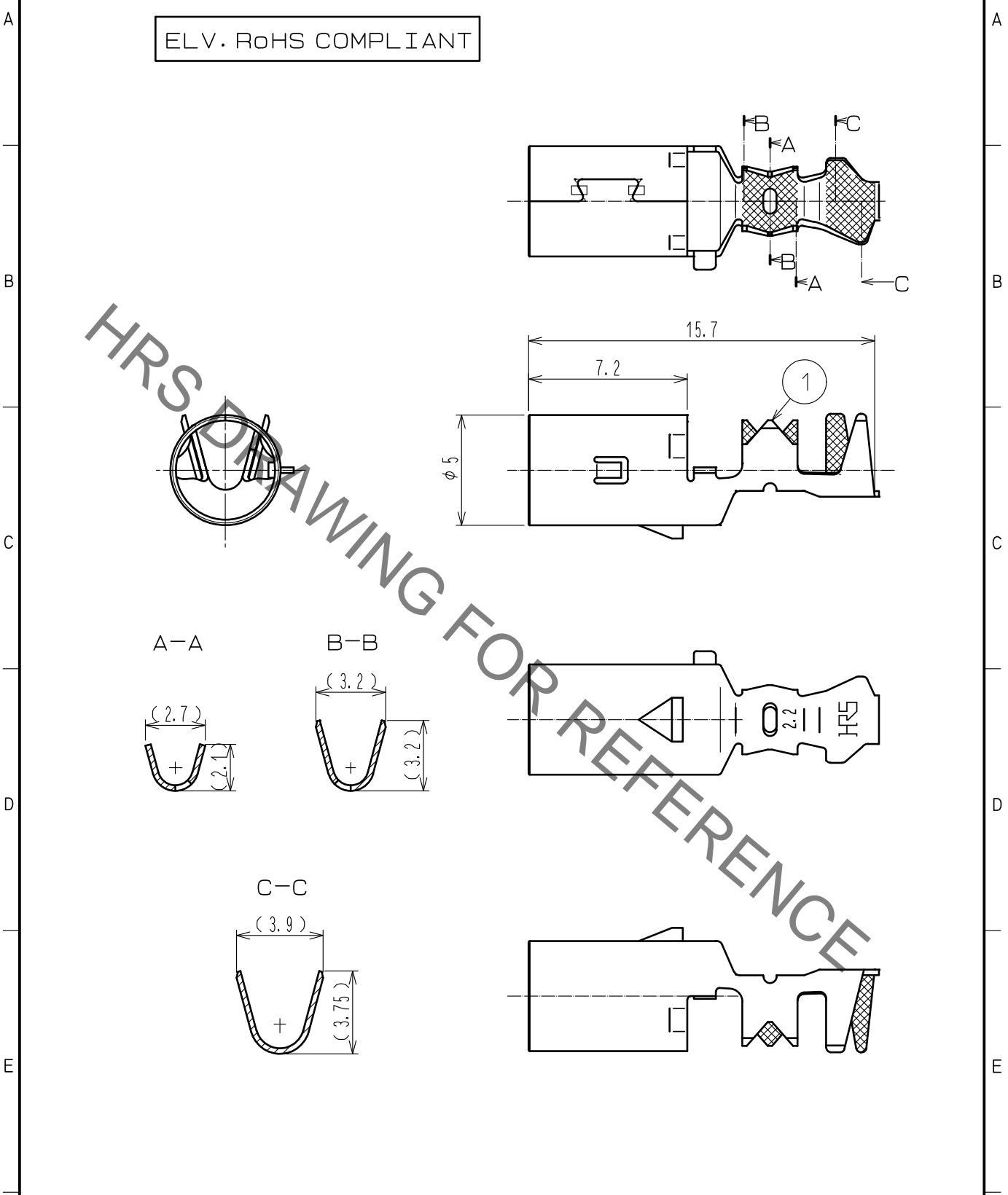


Oct.1.2019 Copyright 2019 HIROSE ELECTRIC CO., LTD. All Rights Reserved.
 In case of consideration for using Automotive equipment / device which demand high reliability, kindly contact our sales window correspondents.

ELV. RoHS COMPLIANT



1	Phosphor bronze	Tin plating						
NO.	MATERIAL	FINISH .	REMARKS	NO.	MATERIAL	FINISH .	REMARKS	
UNITS mm		SCALE 4 : 1	COUNT 	DESCRIPTION OF REVISIONS		DESIGNED	CHECKED	DATE
HIROSE ELECTRIC CO., LTD.	APPROVED	·NH. NAKATA	15.09.03	DRAWING NO.	EDC-166958-00-00			
	CHECKED	·KI. HIROKAWA	15.09.03	PART NO.	GT16C-/1.1-2.2SC			
	DESIGNED	·HS. NAGANO	15.08.20	CODE NO.	CL766-0089-3-00			
	DRAWN	·HS. NAGANO	15.08.20		1/1			