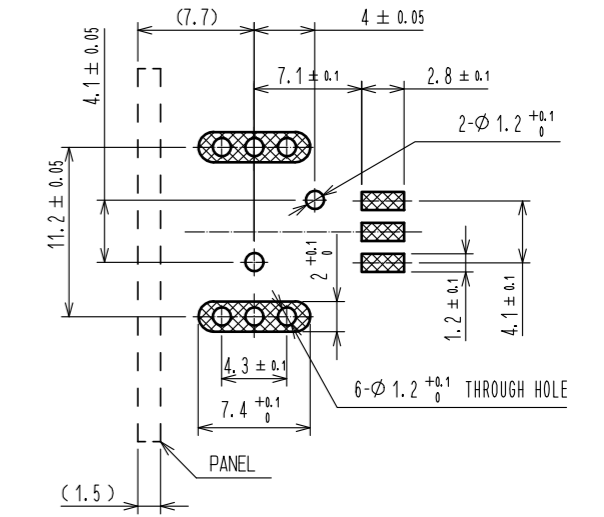
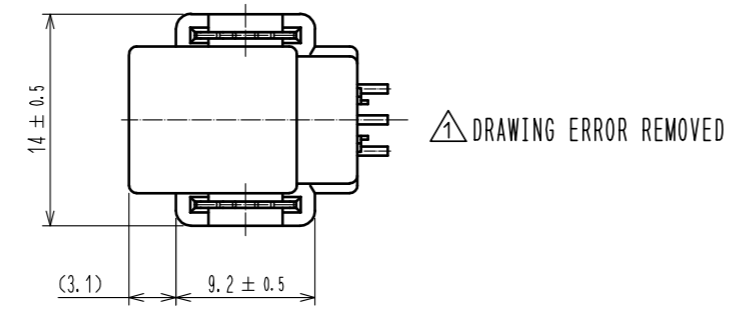
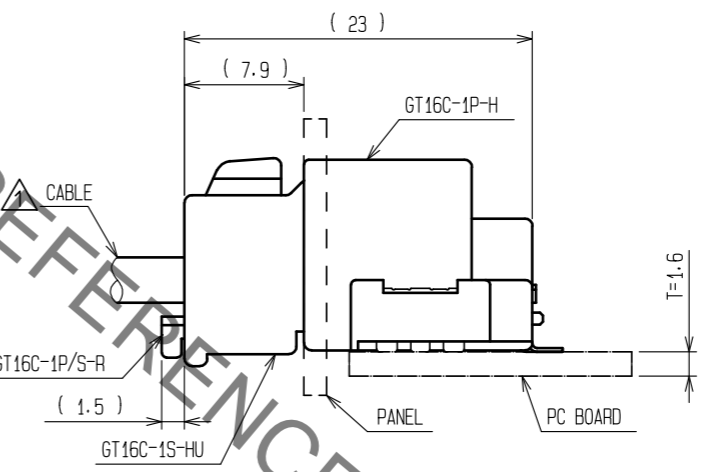
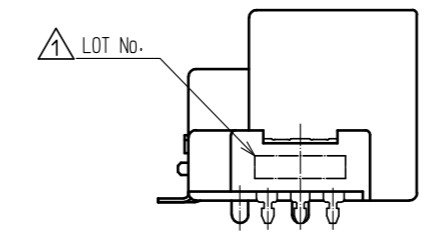
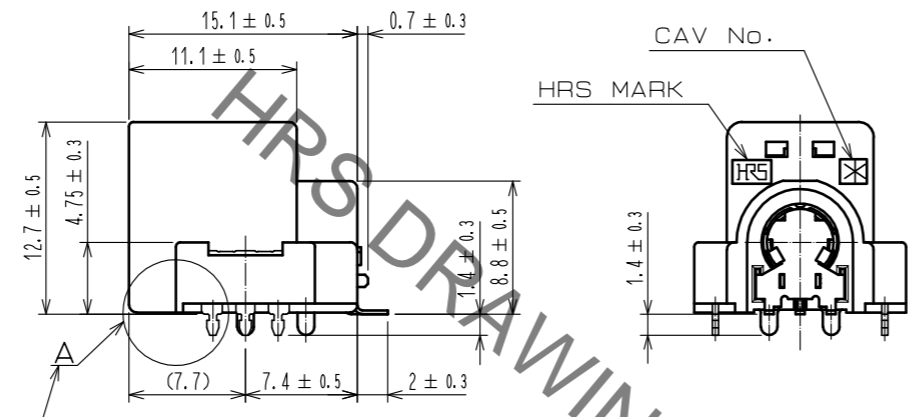
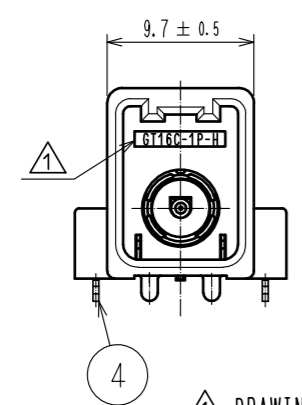


Oct.1.2019 Copyright 2019 HIROSE ELECTRIC CO., LTD. All Rights Reserved.
 In case of consideration for using Automotive equipment / device which demand high reliability, kindly contact our sales window correspondents.

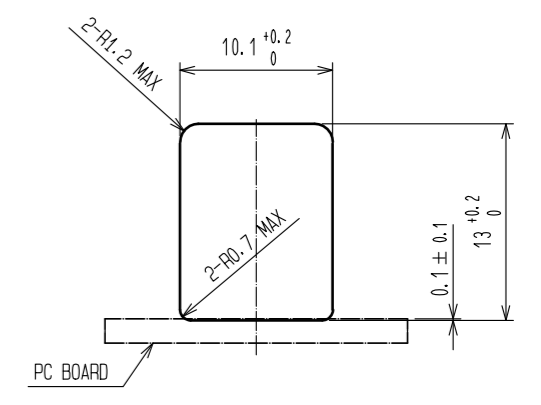
ELV·RoHS COMPLIANT



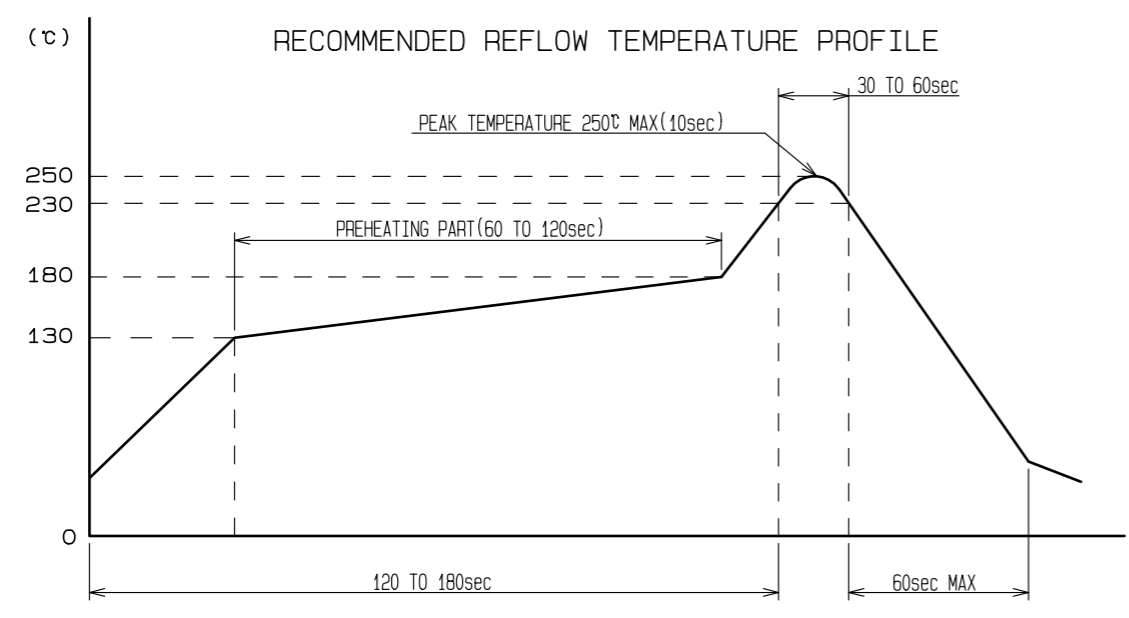
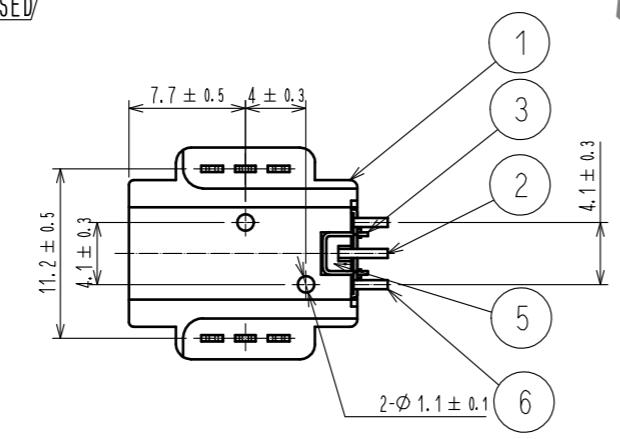
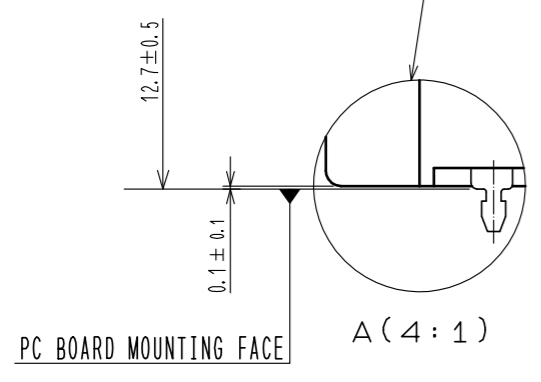
RECOMMENDED PC BOARD HOLE PATTERN



MATED CONNECTORS



RECOMMENDED PANEL CUTOUT



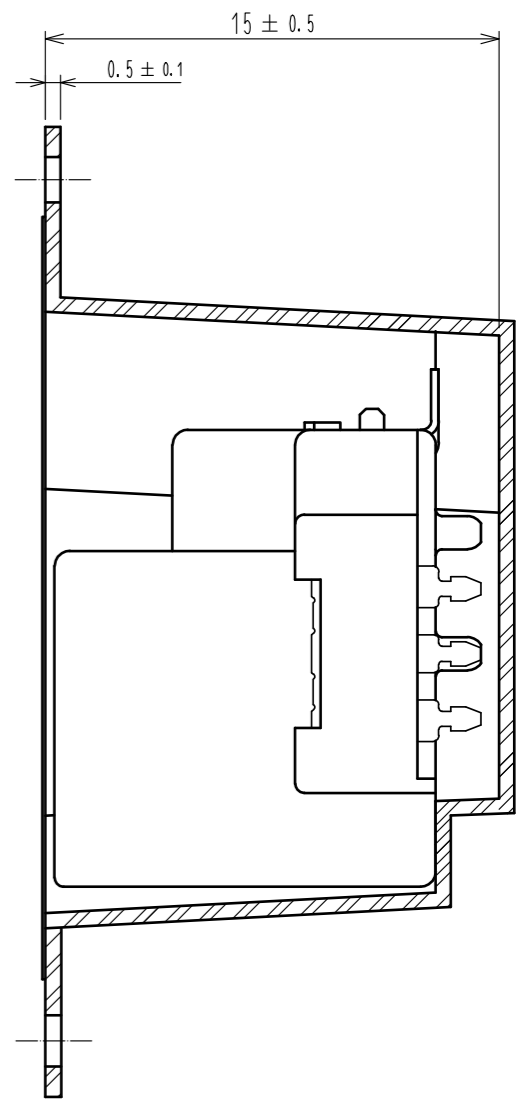
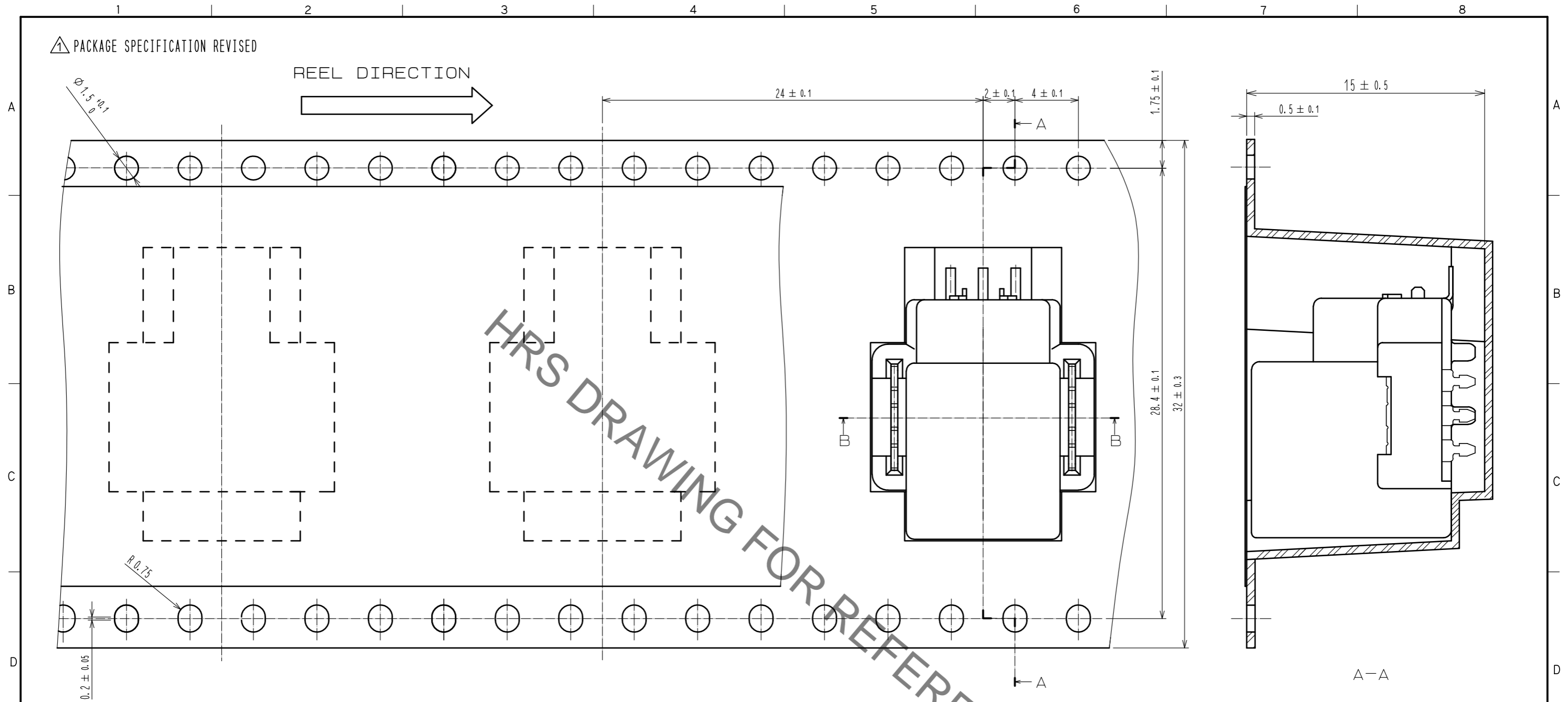
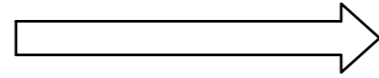
NOTE1. LEAD CO-PLANALITY INCLUDE REINFORCED FITTINGS SHALL BE 0.12mm MAX.
 2. THE RECOMMENDED REFLOW TEMPERATURE PROFILE IS AS FIGURE.

| 3 | PHOSPHOR BRONZE | TIN PLATED | 6 | PHOSPHOR BRONZE | TIN PLATED |
|--------------------------|-----------------|------------------|----------|----------------------------|------------------|
| 2 | PHOSPHOR BRONZE | TIN PLATED | 5 | PPS | NATURAL |
| 1 | PPS | LIGHT GRAY | 4 | BRASS | TIN PLATED |
| NO. | MATERIAL | FINISH . REMARKS | NO. | MATERIAL | FINISH . REMARKS |
| UNITS | mm | SCALE | 2 : 1 | COUNT | 6 |
| DESCRIPTION OF REVISIONS | | | DESIGNED | MING. JIANG | CHECKED |
| DIS-T-00001972 | | | DATE | 17.04.05 | |
| APPROVED : AR. SHIRAI | | | 09.09.02 | DRAWING NO. EDC3-167724-00 | |
| CHECKED : MO. OKADA | | | 09.09.02 | PART NO. GT16C-1P-H | |
| DESIGNED : YS. OCHI | | | 09.08.29 | CODE NO. CL766-0102-0-00 | |
| DRAWN : YS. OCHI | | | 09.08.29 | 1/2 | |

Oct.1.2019 Copyright 2019 HIROSE ELECTRIC CO., LTD. All Rights Reserved.
 In case of consideration for using Automotive equipment / device which demand high reliability, kindly contact our sales window correspondents.

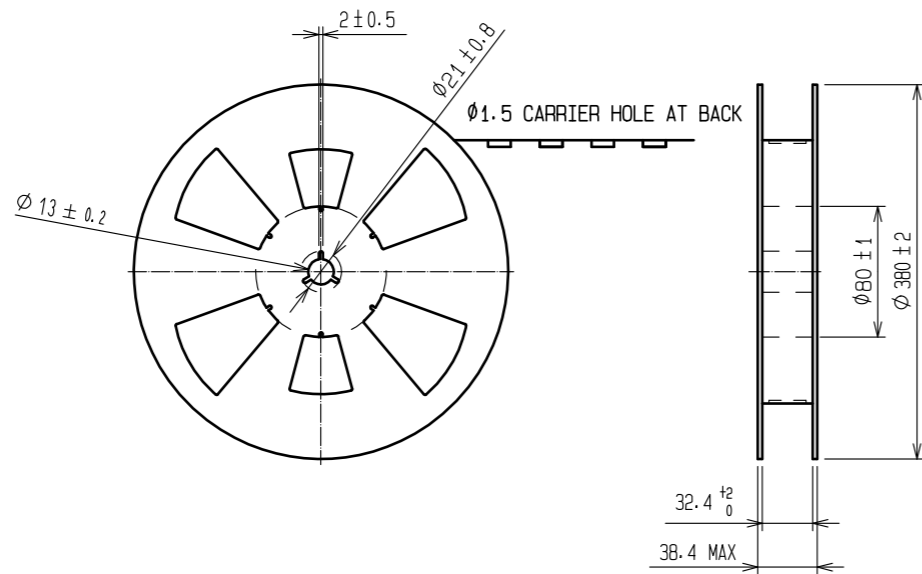
⚠ PACKAGE SPECIFICATION REVISED

REEL DIRECTION

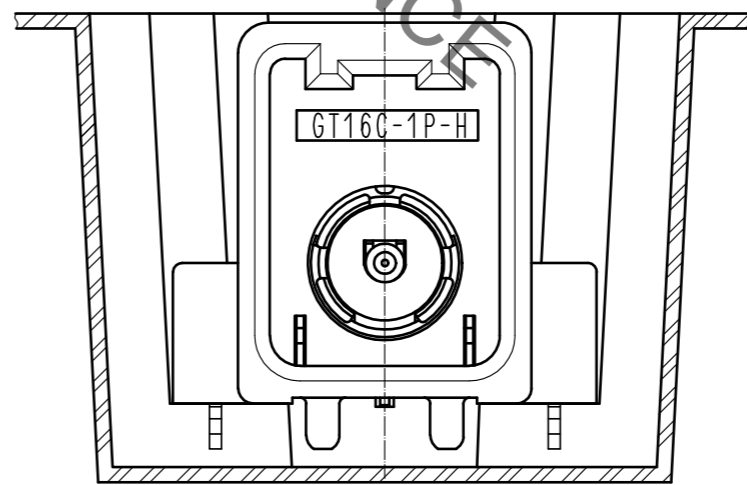


A-A

REEL DIMENSION (SCALE FREE)



NOTE1: NUMBER OF PRODUCTS: 200 PCS/REEL



B-B

| | | | |
|------------|-------------|-----------------|-----|
| HRS | DRAWING NO. | EDC3-167724-00 | 2/2 |
| | PART NO. | GT16C-1P-H | |
| | CODE NO. | CL766-0102-0-00 | |
| | | | |