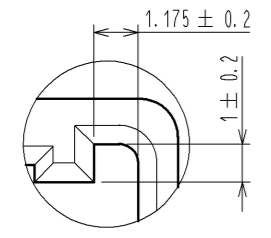


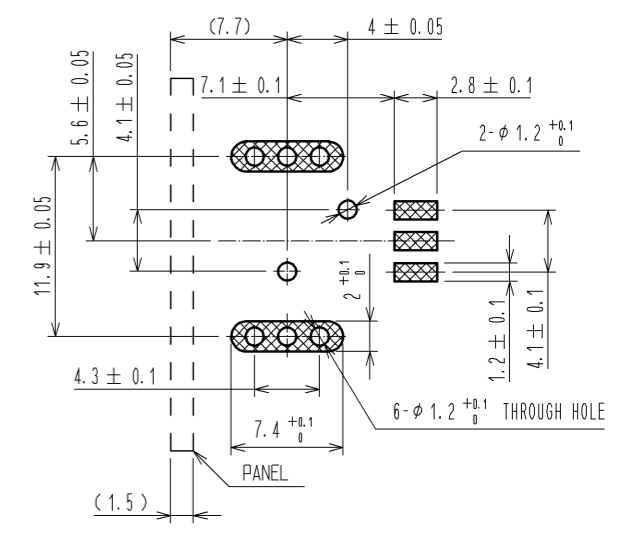
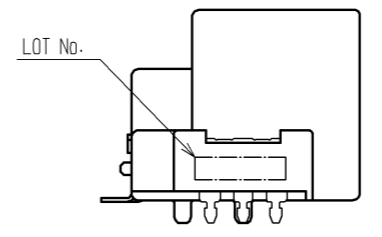
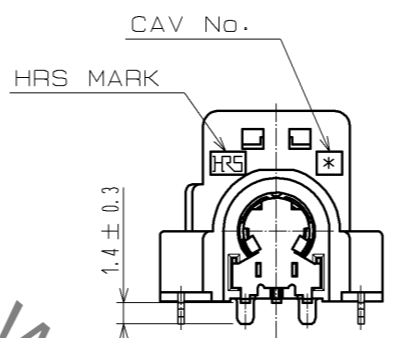
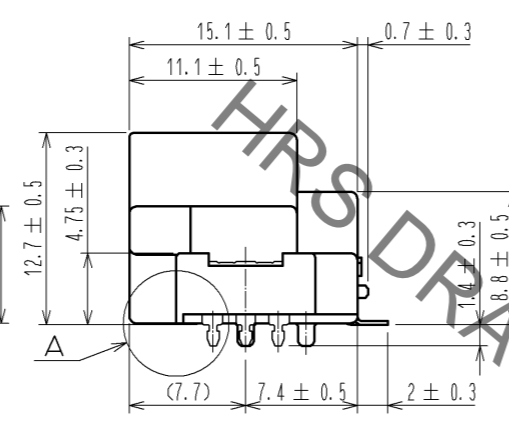
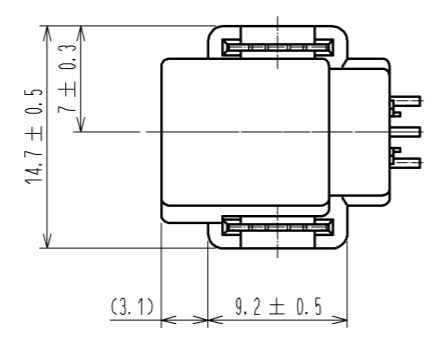
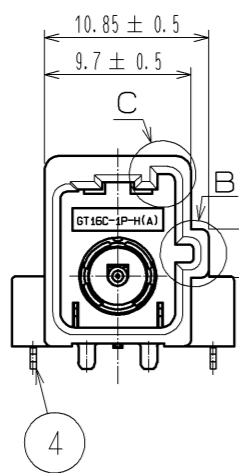
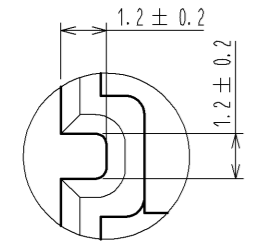
Oct.1.2019 Copyright 2019 HIROSE ELECTRIC CO., LTD. All Rights Reserved.
In case of consideration for using Automotive equipment / device which demand high reliability, kindly contact our sales window correspondents.

ELV·RoHS COMPLIANT

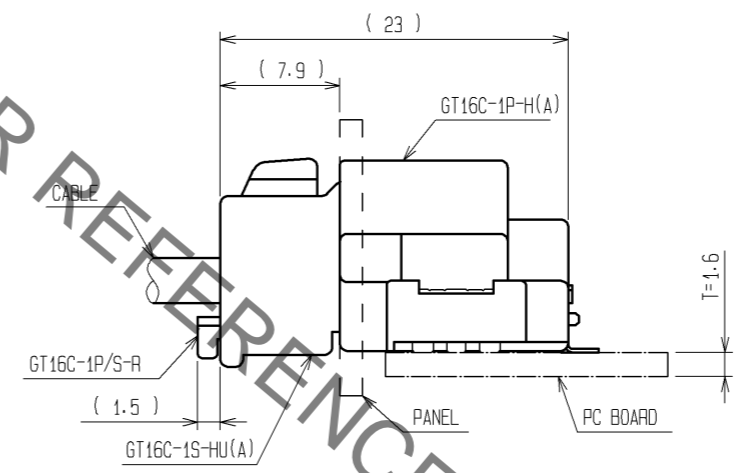
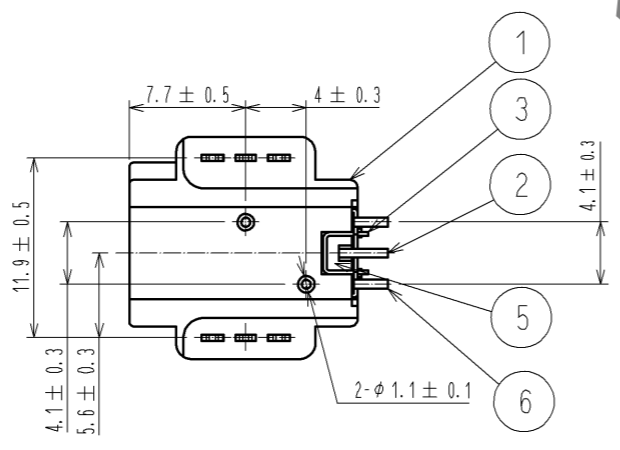
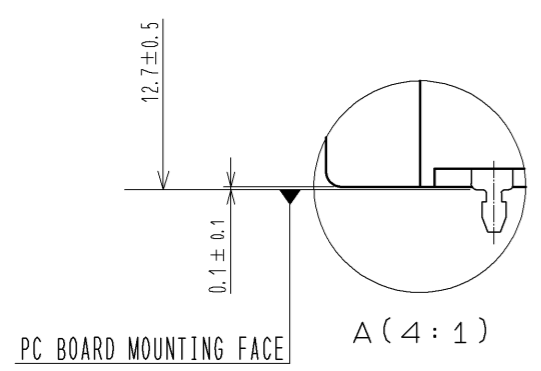
C (5:1)



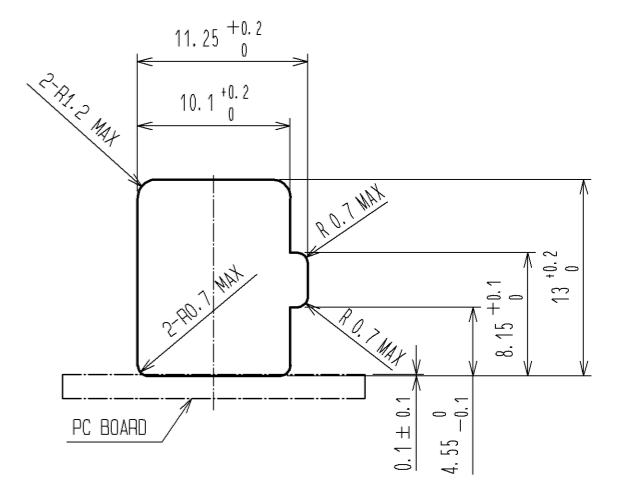
B (5:1)



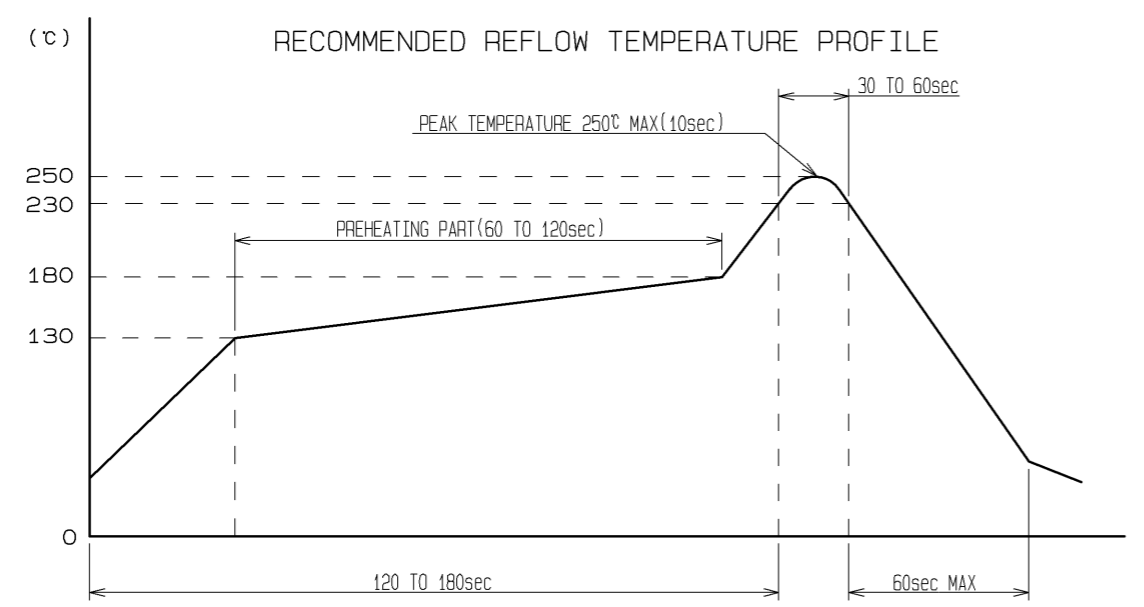
RECOMMENDED PC BOARD HOLE PATTERN



MATED CONNECTORS



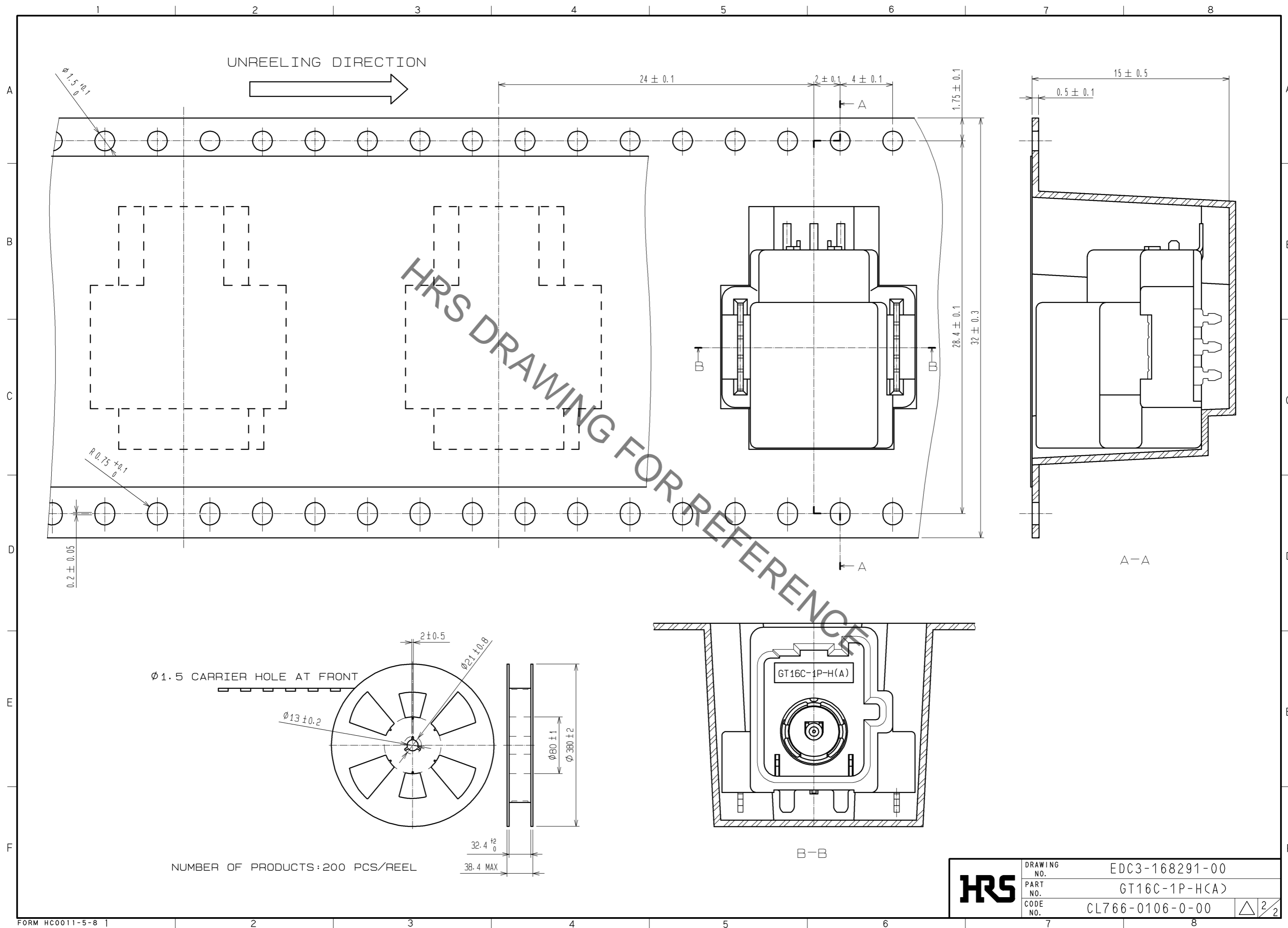
RECOMMENDED PANEL CUTOUT



NOTE1. LEAD CO-PLANALITY INCLUDE REINFORCED FITTINGS SHALL BE 0.12mm MAX.
2. THE RECOMMENDED REFLOW TEMPERATURE PROFILE IS AS FIGURE.

3	PHOSPHOR BRONZE	TIN PLATED	6	PHOSPHOR BRONZE	TIN PLATED
2	PHOSPHOR BRONZE	TIN PLATED	5	PPS	NATURAL
1	PPS	BROWN	4	BRASS	TIN PLATED
NO.	MATERIAL	FINISH . REMARKS	NO.	MATERIAL	FINISH . REMARKS
UNITS mm			SCALE 2 : 1		
APPROVED : AR. SHIRAI			10.09.03		
CHECKED : NH. NAKATA			10.09.03		
DESIGNED : TK. SHISHIKURA			10.09.03		
DRAWN : TK. SHISHIKURA			10.09.03		
DRAWING NO.			EDC3-168291-00		
PART NO.			GT16C-1P-H(A)		
CODE NO.			CL766-0106-0-00		
			1/2		

Oct.1.2019 Copyright 2019 HIROSE ELECTRIC CO., LTD. All Rights Reserved.
 In case of consideration for using Automotive equipment / device which demand high reliability, kindly contact our sales window correspondents.



NUMBER OF PRODUCTS: 200 PCS/REEL

HRS	DRAWING NO.	EDC3-168291-00	\triangle 2/2
	PART NO.	GT16C-1P-H(A)	
	CODE NO.	CL766-0106-0-00	