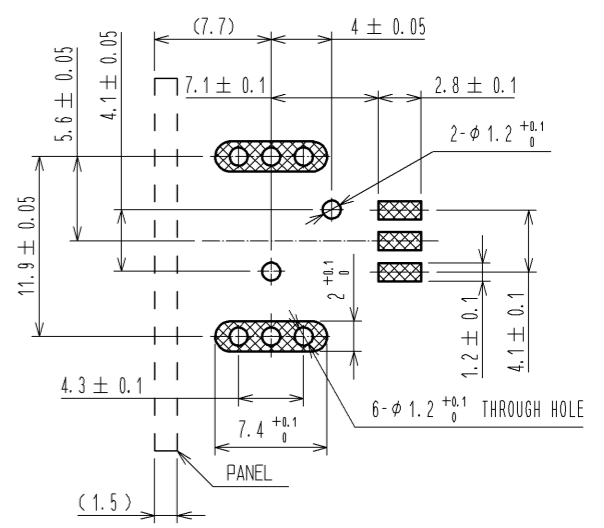
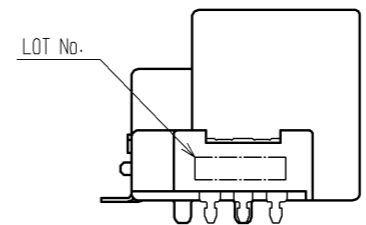
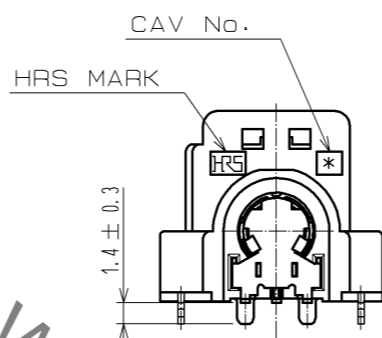
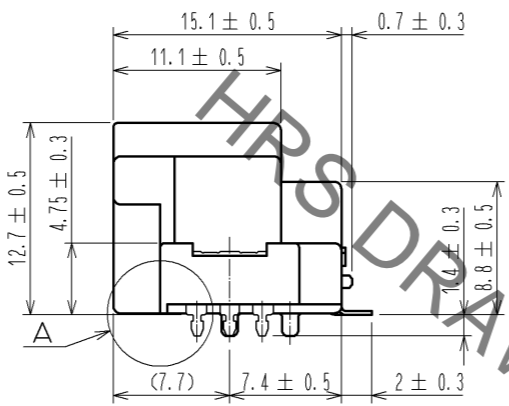
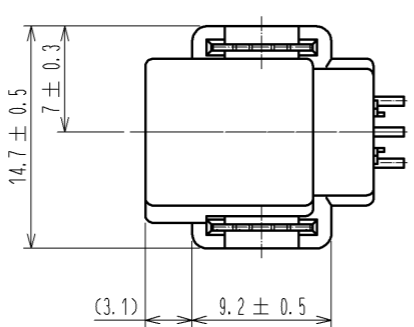
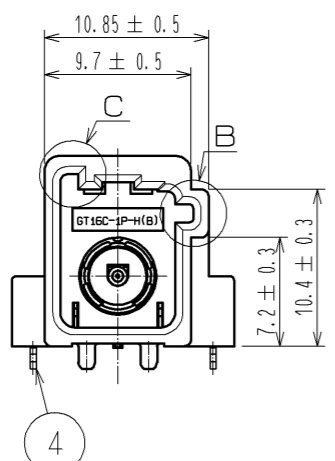
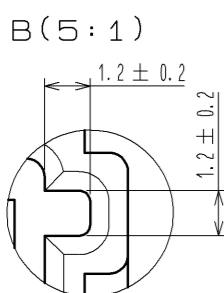
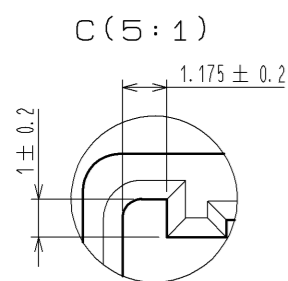
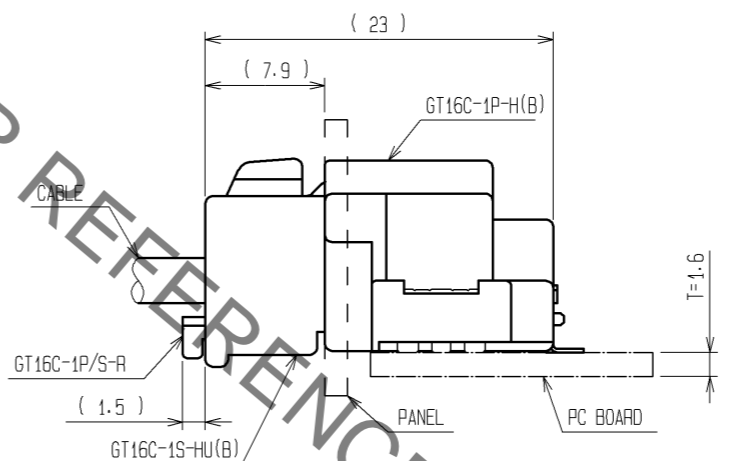
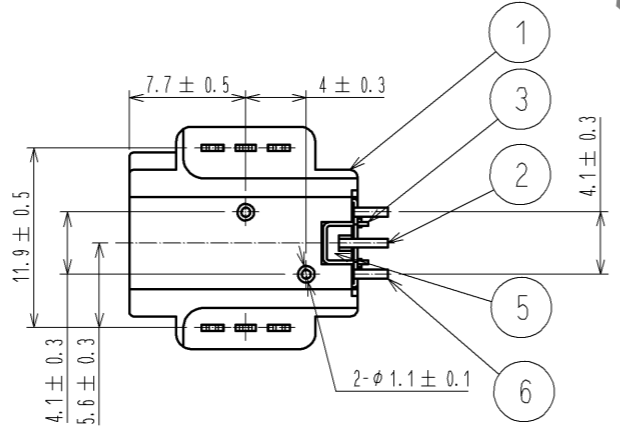
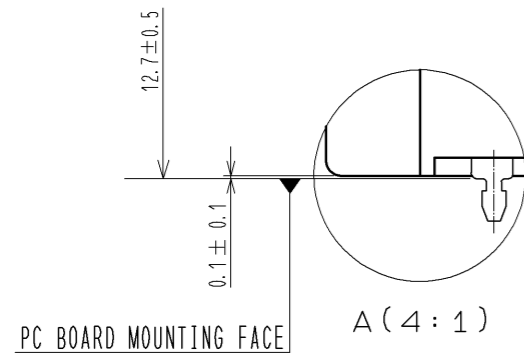


Oct.1.2019 Copyright 2019 HIROSE ELECTRIC CO., LTD. All Rights Reserved.  
 In case of consideration for using Automotive equipment / device which demand high reliability, kindly contact our sales window correspondents.

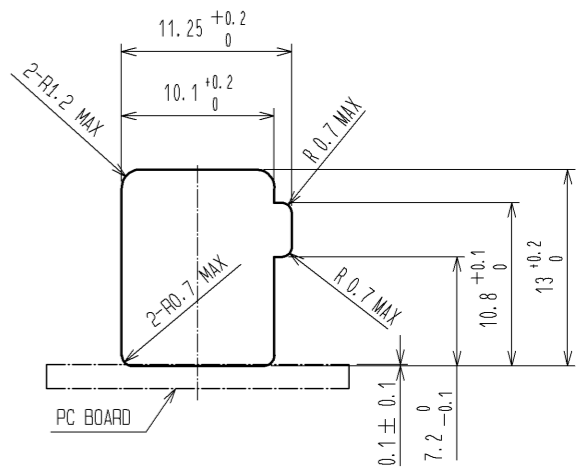
ELV. RoHS COMPLIANT



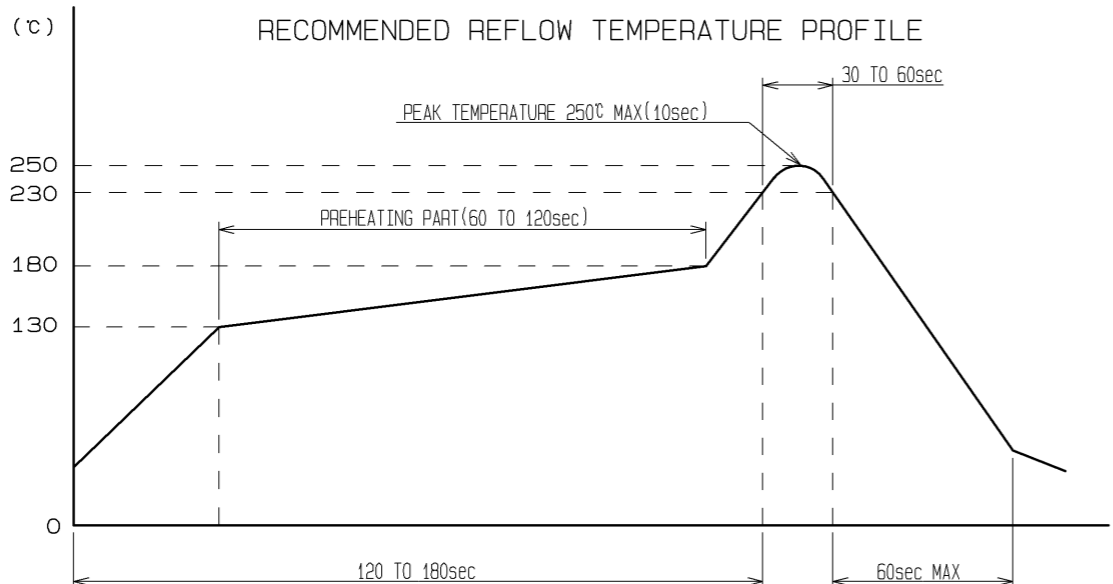
RECOMMENDED PC BOARD HOLE PATTERN



MATED CONNECTORS



RECOMMENDED PANEL CUTOUT

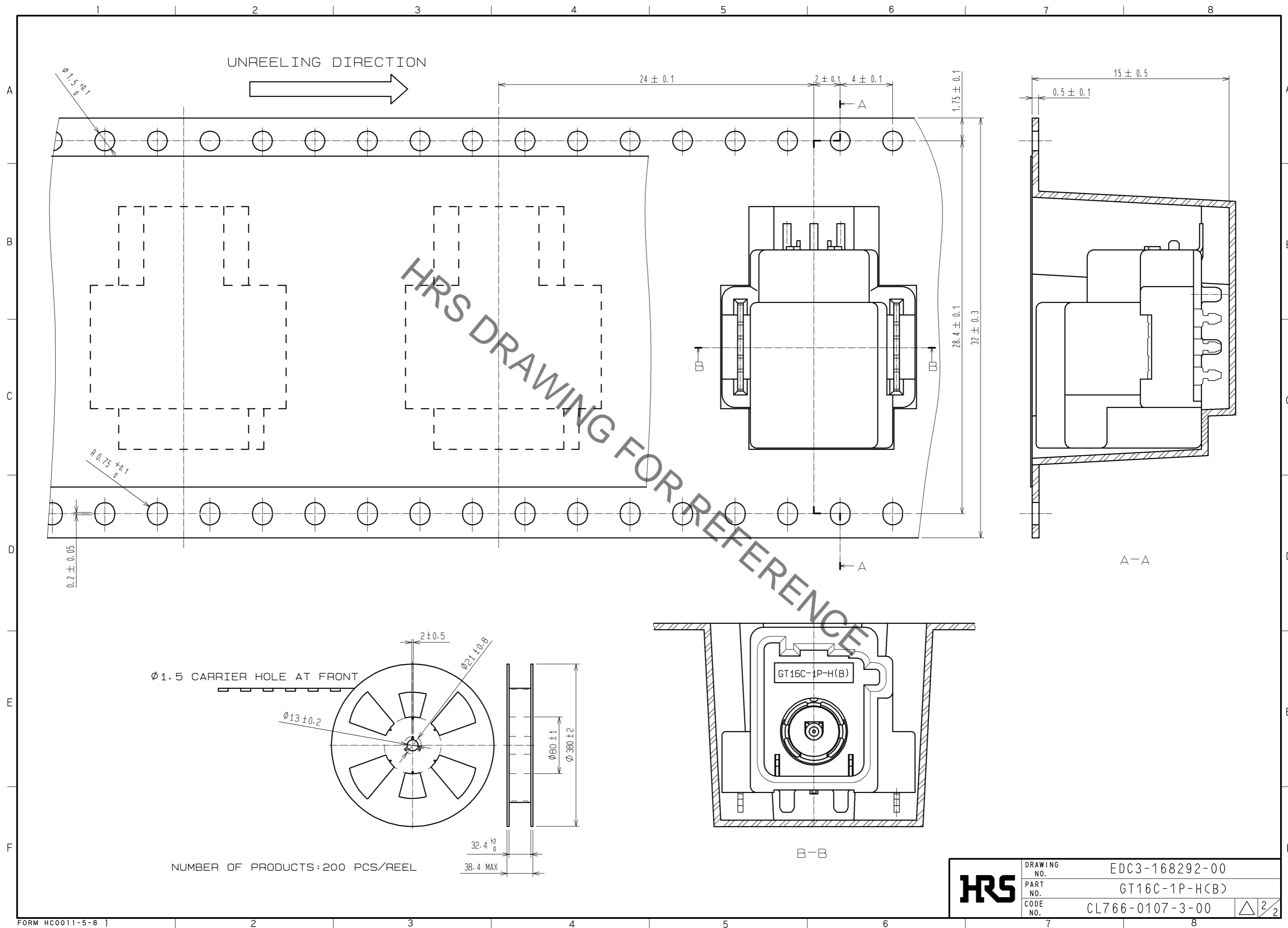


RECOMMENDED REFLOW TEMPERATURE PROFILE

NOTE1. LEAD CO-PLANALITY INCLUDE REINFORCED FITTINGS SHALL BE 0.12mm MAX.  
 2. THE RECOMMENDED REFLOW TEMPERATURE PROFILE IS AS FIGURE.

3	PHOSPHOR BRONZE	TIN PLATED	6	PHOSPHOR BRONZE	TIN PLATED
2	PHOSPHOR BRONZE	TIN PLATED	5	PPS	NATURAL
1	PPS	GREEN	4	BRASS	TIN PLATED
NO.	MATERIAL	FINISH . REMARKS	NO.	MATERIAL	FINISH . REMARKS
UNITS mm		SCALE 2 : 1	COUNT △	DESCRIPTION OF REVISIONS	
DESIGNED		CHECKED		DATE	
APPROVED : AR. SHIRAI			10.09.03		
CHECKED : NH. NAKATA			10.09.03		
DESIGNED : TK. SHISHIKURA			10.09.03		
DRAWN : TK. SHISHIKURA			10.09.03		
DRAWING NO.				EDC3-168292-00	
PART NO.				GT16C-1P-H(B)	
CODE NO.				CL766-0107-3-00	
				△ 1/2	

Oct.1.2019 Copyright 2019 HIROSE ELECTRIC CO., LTD. All Rights Reserved.  
 In case of consideration for using Automotive equipment / device which demand high reliability, kindly contact our sales window correspondents.



<b>HRS</b>	DRAWING NO.	EDC3-168292-00
	PART NO.	GT16C-1P-H(B)
	CODE NO.	CL766-0107-3-00
		$\triangle$ 2/2